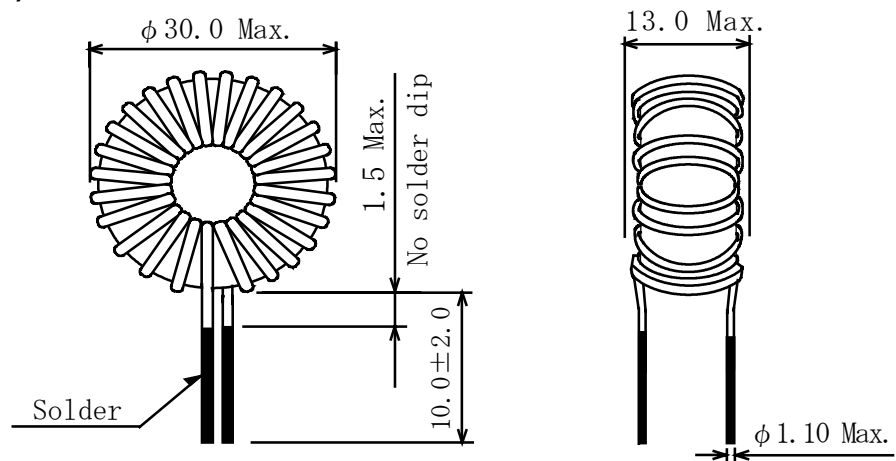


**Type: PFN1329**
**◆ Product Description**

- $\phi$  30.0mm × 13.0mm Max.
- In addition to the typical versions of parameters shown here, custom parameters are available to meet your exact requirements.


**◆ Feature**

- Iron dust core is used to realize better DC Saturation characteristics and higher noise absorption effect.
- Less leakage magnetic flux .
- Ideally used as Normal Mode chokes EMI suppression in power supplies or signal lines.
- Elimination for impulse noise.
- RoHS Compliance

**◆ Dimensions (mm)**

[www.DataSheet4U.com](http://www.DataSheet4U.com)
**◆ Specification**

Part Name.	Inductance ( $\mu$ H) [MIN.] At 1kHz	D.C.R.(m $\Omega$ ) [MAX.] (at20 $^{\circ}$ C)	Impedance [MIN.]			Rated Current (A)※1
			①	②	③	
PFN1329NP-NM42A	52	30	1150 $\Omega$ a t 3MHz	1980 $\Omega$ a t 4MHz	2290 $\Omega$ a t 6MHz	6.1
PFN1329NP-NM53A	83	38	1360 $\Omega$ a t 2MHz	3485 $\Omega$ a t 3MHz	2850 $\Omega$ a t 4MHz	5.4

※1. Rated current: The DC current at which the temperature rise is  $\Delta t=40^{\circ}$ C.( $T_a=20^{\circ}$ C).