

PLEASE CHECK WWW.MOLEX.COM FOR LATEST PART INFORMATION

Part Number: [0350211201](#)
Status: **Active**
Description: Board-In Right Angle Crimp Terminal 35021, Reel, Brass Tin (Sn)

Documents:

[3D Model](#) [Product Specification PS-35044-001 \(PDF\)](#)
[Drawing \(PDF\)](#) [RoHS Certificate of Compliance \(PDF\)](#)

General

Product Family Crimp Terminals
 Series [35021](#)
 Comments Right Angle, Use with Housing 35023
 Crimp Quality Equipment Yes
 Product Name Board-In

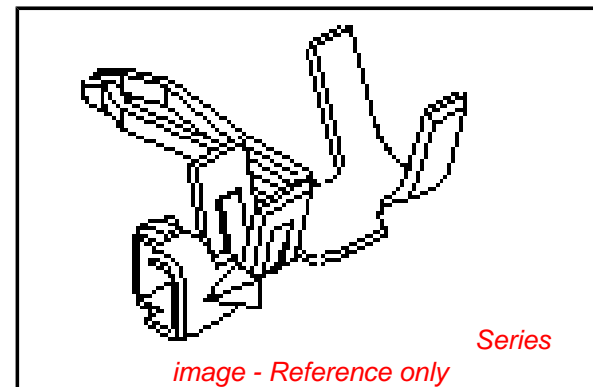
Physical

Gender Male
 Material - Metal Brass
 Material - Plating Mating Tin
 Material - Plating Termination Tin
 Packaging Type Reel
 Plating min: Mating (µin) 32.00
 Plating min: Mating (µm) 0.800
 Plating min: Termination (µin) 32.00
 Plating min: Termination (µm) 0.80
 Termination Interface: Style Crimp or Compression
 Wire Insulation Diameter 1.5 mm Max (.059" Max)
 Wire Size AWG 24, 30
 Wire Size mm² N/A

Material Info

Reference - Drawing Numbers

Product Specification PS-35044-001
 Sales Drawing SD-35021-001, SD-35021-1***



EU RoHS

**ELV and RoHS
 Compliant**
**REACH SVHC
 Contains SVHC: No**
**Halogen-Free
 Status**

China RoHS



**Need more information on product
 environmental compliance?**

Email productcompliance@molex.com
 For a multiple part number RoHS Certificate of
 Compliance, [click here](#)

Please visit the [Contact Us](#) section for any
 non-product compliance questions.

Search Parts in this Series

[35021Series](#)

Use With

[35023 Housing](#)

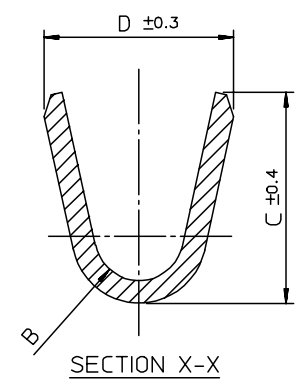
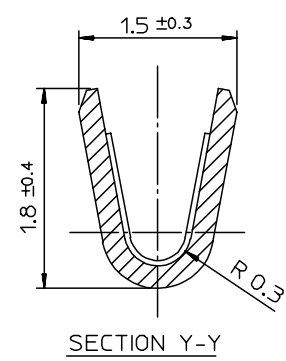
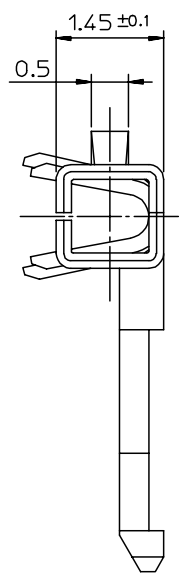
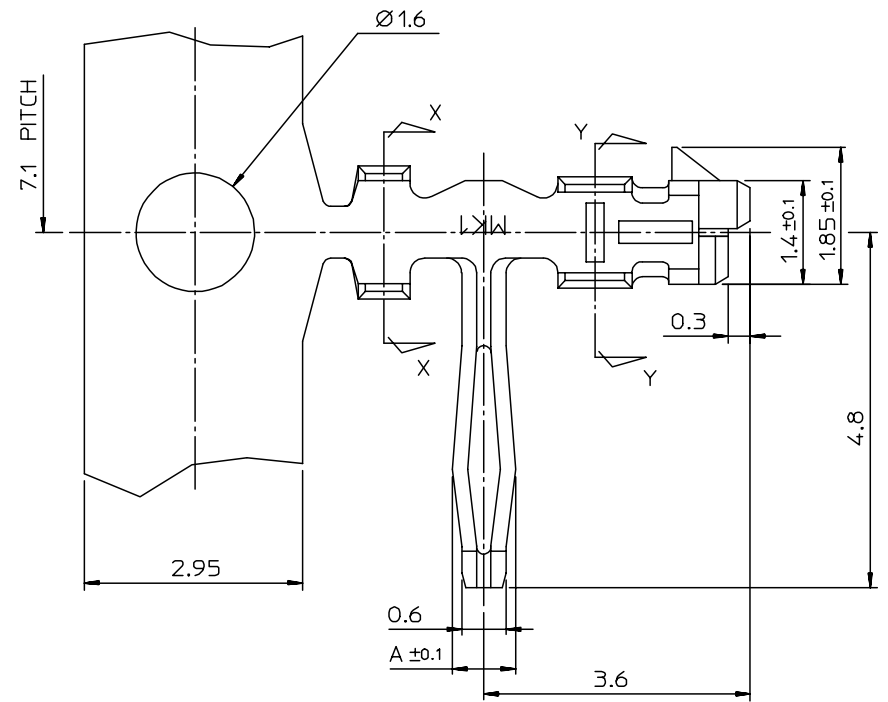
Application Tooling | FAQ

*Tooling specifications and manuals are
 found by selecting the products below.
 Crimp Height Specifications are then
 contained in the Application Tooling
 Specification document.*

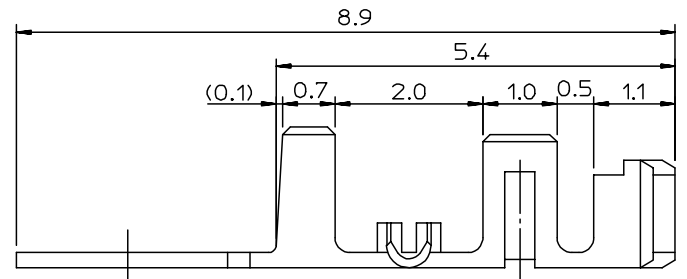
Global

Description	Product #
HAND CRIMP TOOL	0638116900
T2 Terminator Die	0638532000
FineAdjust™ Applicator	0638632000

DWG. NO. SD-35021-001
 SIMILAR ITEM
 PROJECT NO.
 DO NOT SCALE DRAWING DIMENSION IN METRIC



- NOTE
- MATERIAL
 - BRASS (CDA 260)
 - PHOSPHOR BRONZE (CDA 510)
 - PLATING
 - PRE PLATED - TIN OVER COPPER
 - POST PLATED - TIN/LEAD OVER COPPER
 - USED HOUSING : 35022-00**/35023-00**/68418-***00

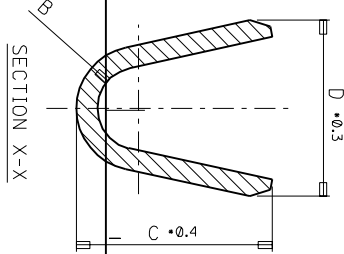
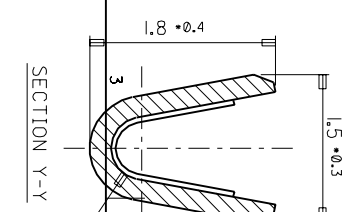
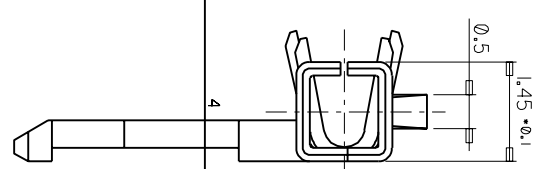
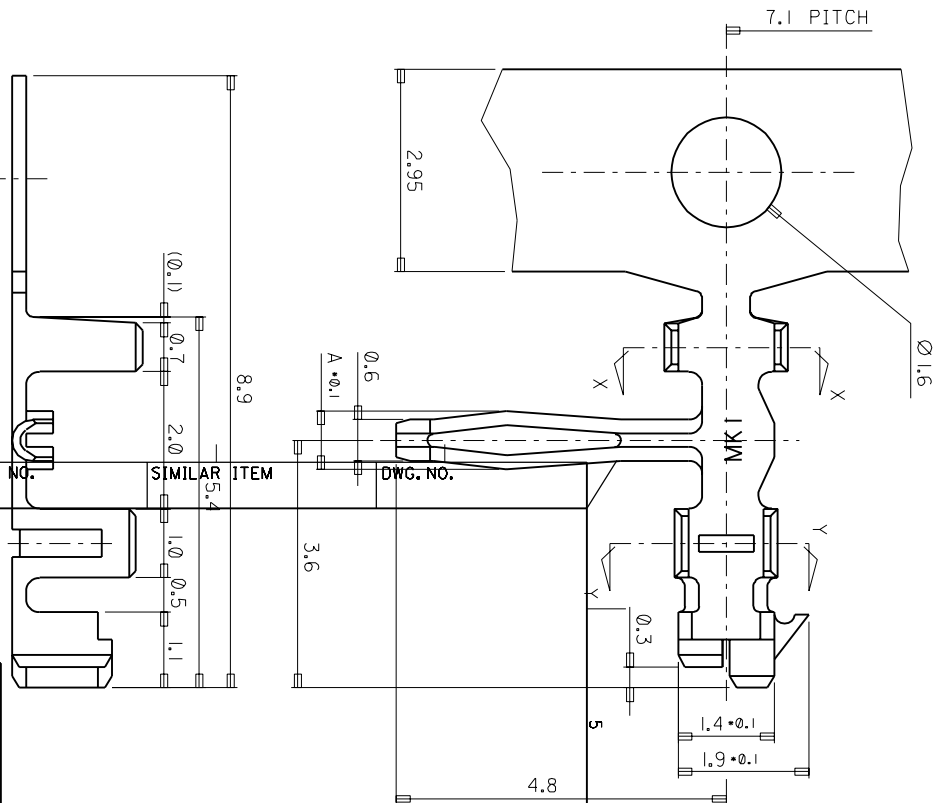


POST-PLATED	PHOS. BRON.	AWG #24-#30 (INS. DIA: \varnothing 1.5 MAX.)	1.8	1.9	R0.4	0.85	350211310	35021-1310
PRE-PLATED	PHOS. BRON.	AWG #22-#28 (INS. DIA: \varnothing 1.9 MAX.)	2.5	2.5	R0.7	1.05	350211301	35021-1301
	BRASS						350211201	35021-1201
PRE-PLATED	PHOS. BRON.	AWG #22-#28 (INS. DIA: \varnothing 1.9 MAX.)	2.5	2.5	R0.7	1.05	350211101	35021-1101
	BRASS						350211001	35021-1001
POST-PLATED	PHOS. BRON.						350211110	35021-1110
PLATING	MATERIAL	WIRE RANGE	D	C	B	A	MAT'L NO.	ENG NO.

REVISED EC NO: KOR2007-0027 DRWN: JHLEE 06/09/13 CHK: KSKIM 06/09/13 APPR: YSOOKIM 06/09/13	QUALITY SYMBOLS MAJOR CRITICAL	GENERAL TOLERANCES: (UNLESS SPECIFIED)		SCALE 15-1	DESIGN UNITS	THIRD ANGLE PROJECTION	DIMENSIONS:			SHT	REV
		mm	INCH	<input checked="" type="checkbox"/> mm <input type="checkbox"/> INCH	<input type="checkbox"/> mm <input type="checkbox"/> INCH <input checked="" type="checkbox"/> ONLY						
DESCRIPTION	DRAFT WHERE APPLICABLE MUST REMAIN WITHIN DIMENSIONS	DRAWN BY & DATE		CHECKED BY & DATE		TITLE: R/A B-IN TERMINAL					
		HSSHIN		JKOH							
REV	APPROVED BY & DATE CWLEE	CAD FILENAME		MATERIAL NO.		DRAWING NO.			SHEET NO.		
		SD35021.DGN		SEE TABLE		SD-35021-001			10F1		
THIS DRAWING CONTAINS INFORMATION THAT IS PROPRIETARY TO MOLEX INCORPORATED AND SHOULD NOT BE USED WITHOUT WRITTEN PERMISSION.											SIZE B

PROJECT NO. SIMILAR ITEM DWG. NO.
35021-1*** SD 35021-1***

DO NOT SCALE DRAWING
DIMENSION IN METRIC



- NOTE
1. MATERIAL
1) BRASS (CDA 260)
2) PHOSPHOR BRONZE (CDA 510)
 2. PLATING
1) PRE PLATED - TIN OVER COPPER
2) POST PLATED - TIN/LEAD OVER COPPER
 3. USED HOUSING : 35022-00** / 35023-00**

POST-PLATED	PHOS. BRON.	AWG #24-#30	1.8	1.9	R0.4	0.85	35021-1310
PRE-PLATED	PHOS. BRON.	(INS. DIA: Ø 1.5 MAX.)	1.8	1.9	R0.4	0.85	35021-1301
PRE-PLATED	BRASS						35021-1201
POST-PLATED	PHOS. BRON.	AWG #22-#30 (INS. DIA: Ø 1.9 MAX.)	2.5	2.5	R0.7	1.05	35021-1101
POST-PLATED	BRASS						35021-1001
PLATING	PHOS. BRON.						35021-1110

REVISIONS

REV	DESCRIPTION
1	REVISION

EC NO. KOR1998-0091
DRWN: HSSHIN(980609)
CHK: JKOH
APPR: CWLEE

QUALITY SYMBOLS	GENERAL TOLERANCES: (UNLESS SPECIFIED)	SCALE	DESIGN UNITS	THIRD ANGLE PROJECTION	TITLE
MAJOR	±0.1	15-1	MM	<input type="checkbox"/> DIM <input type="checkbox"/> INCH	R/A B-IN TERMINAL
MINOR	±0.05				
CRITICAL	±0.02				

DRAWN BY & DATE: HSSHIN
CHECKED BY & DATE: JKOH
APPROVED BY & DATE: CWLEE

CAD FILENAME: SD35021.DGN
MATERIAL NO.: 350-21-1***
DRAWING NO.: SD 35021-1***
SHEET NO.: 1 OF 1
SIZE: A

MOLEX INCORPORATED
KOREA

8 7 6 5 4 3 2 1

8 7 6 5 4 3 2 1

MX-A8