

**PLEASE CHECK WWW.MOLEX.COM FOR LATEST PART INFORMATION**

**Part Number:** [0357270201](#)  
**Status:** **Active**  
**Description:** 2.00mm (.079") Dia Pin Terminal, Brass, 0.25mm (.010") Thickness, Wire Range 14-20 AWG (2.00-0.52mm<sup>2</sup>), Pre-Tin Plated

**Documents:**

[Drawing \(PDF\)](#) [RoHS Certificate of Compliance \(PDF\)](#)  
[Product Specification PS-35141-001 \(PDF\)](#)

**General**

Product Family	Crimp Terminals
Series	<a href="#">35727</a>
Crimp Quality Equipment	Yes
Product Name	N/A

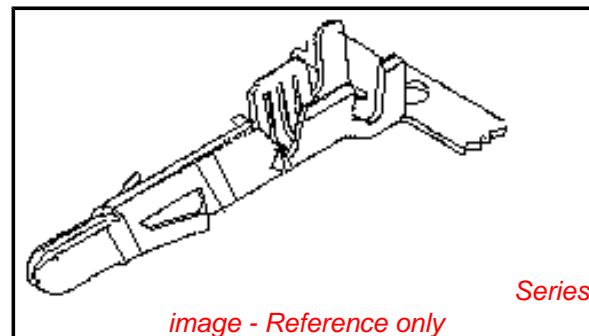
**Physical**

Gender	Male
Material - Metal	Brass
Material - Plating Mating	Tin
Material - Plating Termination	Tin
Packaging Type	Reel
Plating min: Mating (µin)	32.00
Plating min: Mating (µm)	0.800
Plating min: Termination (µin)	32.00
Plating min: Termination (µm)	0.80
Termination Interface: Style	Crimp or Compression
Wire Insulation Diameter	1.90-3.40mm (.075-.134")
Wire Size AWG	14, 16, 18, 20
Wire Size mm <sup>2</sup>	N/A

**Material Info**

**Reference - Drawing Numbers**

Product Specification	PS-35141-001
Sales Drawing	SD-35727-0201



*image - Reference only*

**EU RoHS**

**ELV and RoHS  
Compliant**  
**REACH SVHC**  
**Contains SVHC: No**  
**Halogen-Free  
Status**  
**Halogen-Free**

**China RoHS**



**Need more information on product  
environmental compliance?**

Email [productcompliance@molex.com](mailto:productcompliance@molex.com)  
 For a multiple part number RoHS Certificate of Compliance, [click here](#)

Please visit the [Contact Us](#) section for any non-product compliance questions.

**Search Parts in this Series**

[35727Series](#)

**Mates With**

[2.00mm \(.079"\) Dia Socket|35728-0201](#)

**Use With**

[35141](#) , [35142](#)

**Application Tooling | [FAQ](#)**

*Tooling specifications and manuals are found by selecting the products below. Crimp Height Specifications are then contained in the Application Tooling Specification document.*

**Global**

Description	Product #
Mini-Mac™ Applicator	<a href="#">0638923000</a>

DO NOT SCALE DRAWING DIMENSION IN METRIC

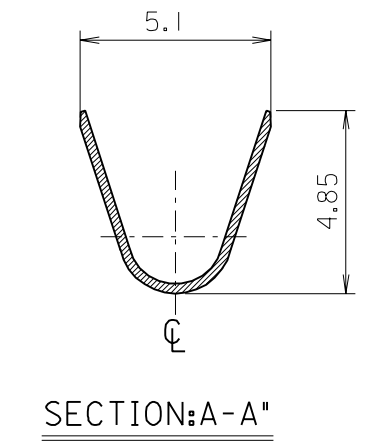
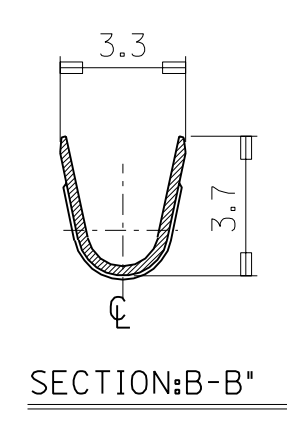
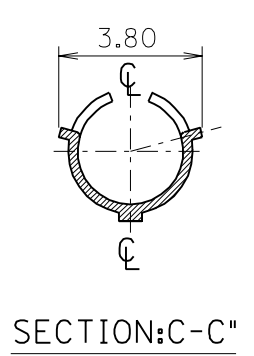
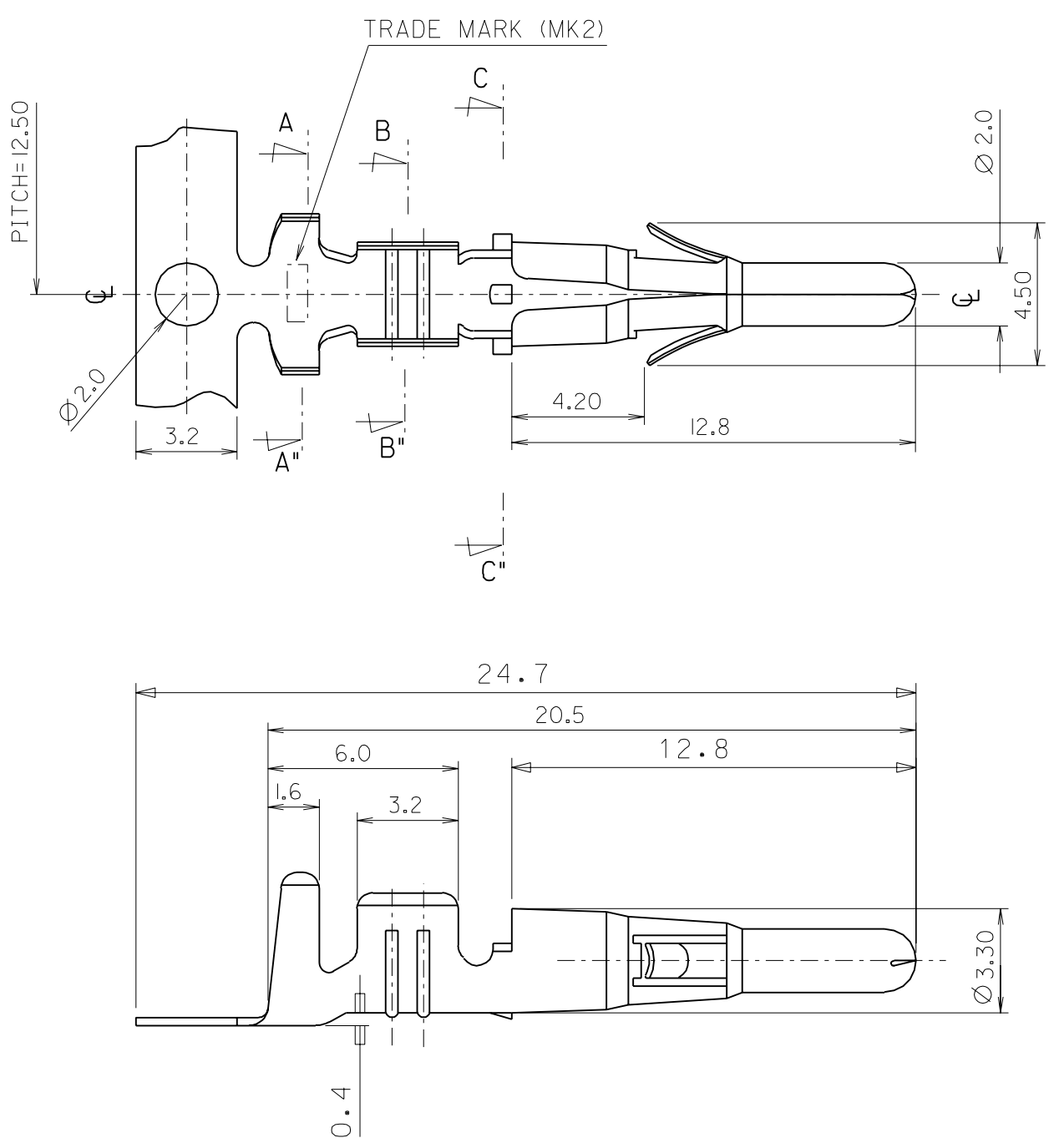
DWG. NO. SD-35727-001

SIMILAR ITEM

PROJECT NO.

C

B



- NOTES
1. MATERIAL: BRASS THICKNESS:0.25
  2. FINISH: PRE-TIN PLATING
  3. APPLICABLE HOUSING: Ø2.0 RECEPTACLE HOUSING  
(35141-\*\*01, 35142-\*\*01) \* MEANS CIRCUIT NO.
  4. MATING TERMINAL: Ø2.0 SOCKET TERMINAL 35728-0201
  5. APPLICABLE WIRE RANGE: AWG #20-#14, 1.9-3.4mm INSUL.DIA.

MATERIAL NO.	ENG. NO.
357270201	35727-0201

REVISED EC NO. KOR 1999-0120 DRWN: H.C.RHO 99/12/29 CH'K: APPR:	DESCRIPTION MAJOR = 3 CRITICAL = 1	GENERAL TOLERANCES: (UNLESS SPECIFIED)		SCALE 5:1	DESIGN UNITS <input checked="" type="checkbox"/> mm <input type="checkbox"/> INCH	THIRD ANGLE PROJECTION	DIMENSIONS: <input type="checkbox"/> mm <input type="checkbox"/> INCH <input checked="" type="checkbox"/> mm ONLY		SHT	REV	
		4 PLACES ±0.     ±. 3 PLACES ±0.     ±. 2 PLACES ±0.25   ±. 1 PLACE ±0.25   ±.	mm     INCH	DRAWN BY & DATE W.Y.YANG 92/03/04		CHECKED BY & DATE B.K.CHOI 92/03/04		TITLE: 2.0 DIA PIN TERMINAL		MOLEX INCORPORATED KOREA	SHEET NO. 10F1
ANGULAR: ± 3 °		APPROVED BY & DATE C.W.LEE 92/03/04		CAD FILENAME E7270201.DGN		MATERIAL NO. SEE CHART		DRAWING NO. SD-35727-001			
REV		DRAFT WHERE APPLICABLE MUST REMAIN WITHIN DIMENSIONS		THIS DRAWING CONTAINS INFORMATION THAT IS PROPRIETARY TO MOLEX INCORPORATED AND SHOULD NOT BE USED WITHOUT WRITTEN PERMISSION.						MX-A3	