

### 3W L, S-BAND POWER GaAs MESFET

#### DESCRIPTION

The NE6500379A is a 3W GaAs MESFET designed for middle power transmitter applications for mobile communication handset and base station systems. It is capable of delivering 3 watt of output power (CW) with high linear gain, high efficiency and excellent distortion. Reliability and performance uniformity are assured by NEC's stringent quality and control procedures.

#### FEATURES

- High Output Power :  $P_o (1dB) = +35$  dBm typ.
- High Linear Gain : 10 dB typ.
- High Power Added Efficiency: 50% typ. @  $V_{DS} = 6$  V,  $I_{Dset} = 500$  mA,  $f = 1.9$  GHz

#### ORDERING INFORMATION

| Part Number   | Package | Supplying Form                |
|---------------|---------|-------------------------------|
| NE6500379A-T1 | 79A     | 12 mm tape width, 1 kpcs/reel |

**Remark** To order evaluation samples, please contact your local NEC sales office.  
(Part number for sample order: NE6500379A)

#### ★ ABSOLUTE MAXIMUM RATINGS ( $T_A = 25^\circ\text{C}$ )

Operation in excess of any one of these parameters may result in permanent damage.

| Parameter               | Symbol    | Ratings     | Unit             |
|-------------------------|-----------|-------------|------------------|
| Drain to Source Voltage | $V_{DS}$  | 15          | V                |
| Gate to Source Voltage  | $V_{GSO}$ | -7          | V                |
| Drain Current           | $I_D$     | 5.6         | A                |
| Gate Current            | $I_G$     | 50          | mA               |
| Total Power Dissipation | $P_T$     | 21          | W                |
| Channel Temperature     | $T_{ch}$  | 150         | $^\circ\text{C}$ |
| Storage Temperature     | $T_{stg}$ | -65 to +150 | $^\circ\text{C}$ |

**Caution** Please handle this device at static-free workstation, because this is an electrostatic sensitive device.

The information in this document is subject to change without notice.

**RECOMMENDED OPERATING LIMITS**

| Characteristics         | Symbol   | Test Conditions | MIN. | TYP. | MAX. | Unit |
|-------------------------|----------|-----------------|------|------|------|------|
| Drain to Source Voltage | $V_{DS}$ |                 |      | 6.0  | 6.0  | V    |
| Gain Compression        | Gcomp    |                 |      |      | 3.0  | dB   |
| Channel Temperature     | $T_{ch}$ |                 |      |      | +125 | °C   |

**★ ELECTRICAL CHARACTERISTICS**

( $T_A = 25^\circ\text{C}$ , Unless otherwise specified, using NEC standard test fixture.)

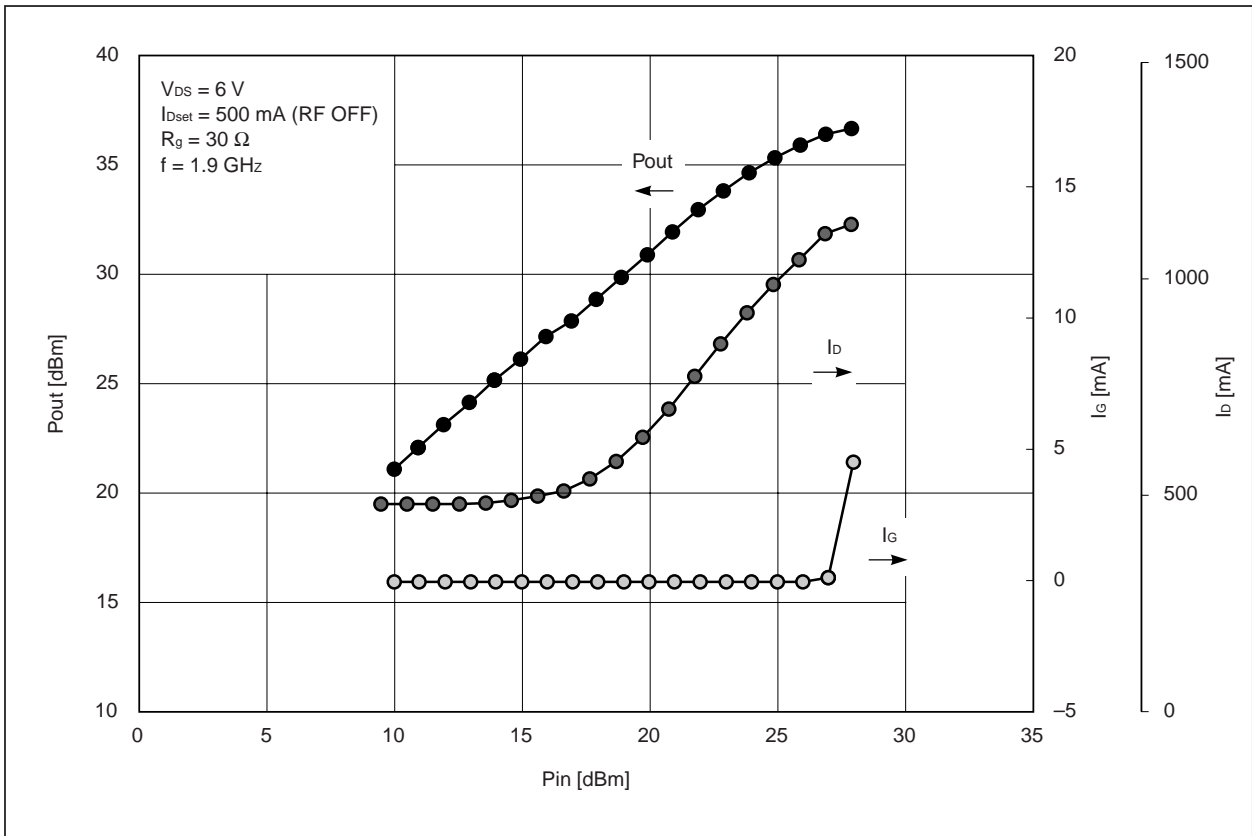
| Characteristics                             | Symbol       | Test Conditions   | MIN. | TYP. | MAX. | Unit |
|---|--------------|---|------|------|------|------|
| Saturated Drain Current                     | $I_{DSS}$    | $V_{DS} = 2.5\text{ V}, V_{GS} = 0\text{ V}$                      |      | 4.5  |      | A    |
| Pinch-off Voltage                           | $V_P$        | $V_{DS} = 2.5\text{ V}, I_D = 21\text{ mA}$                       | -3.6 |      | -1.6 | V    |
| Gate to Drain Break Down Voltage            | $BV_{gd}$    | $I_{gd} = 21\text{ mA}$   | 17   |      |      | V    |
| Thermal Resistance                          | $R_{th}$     | Channel to Case   |      | 5    | 6    | °C/W |
| Output Power at 1 dB Gain Compression Point | $P_{O(1dB)}$ | $f = 1.9\text{ GHz}, V_{DS} = 6.0\text{ V}$<br>$R_g = 30\ \Omega$ |      | 35.0 |      | dBm  |
| Drain Current                               | $I_D$        | $I_{Dset} = 500\text{ mA (RF OFF)}$                               |      | 1.0  |      | A    |
| Power Added Efficiency                      | $\eta_{add}$ | <b>Note 2</b>   |      | 50   |      | %    |
| Linear Gain <sup>Note 1</sup>               | $G_L$        |   | 9.0  | 10.0 |      | dB   |

**Notes 1.** Pin = 0 dBm

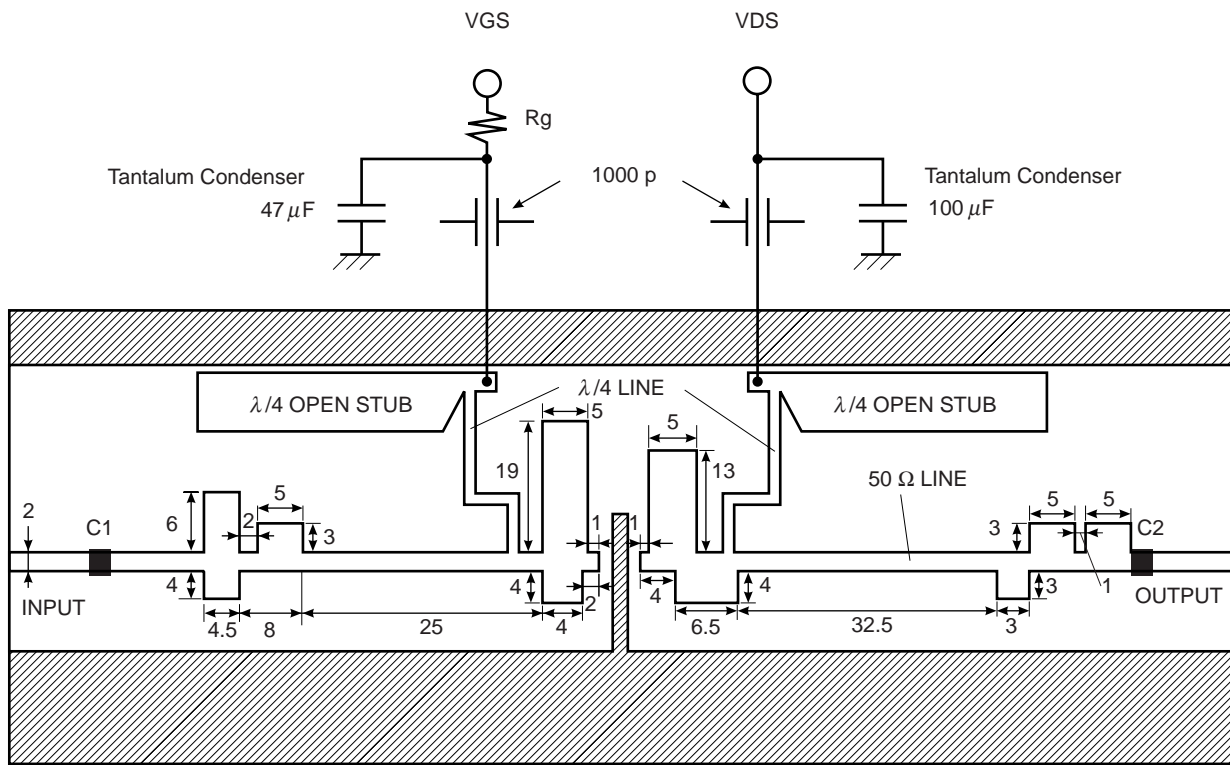
**2.** DC performance is 100% testing. RF performance is testing several samples per wafer.

Wafer rejection criteria for standard devices is 1 reject for several samples.

★ OUTPUT POWER, DRAIN CURRENT AND GATE CURRENT vs. INPUT POWER



★ APPLICATION CIRCUIT EXAMPLE (Unit: mm)



GND

f = 1.9 GHz  
 VDS = 6 V  
 Idset = 500 mA (RF OFF)

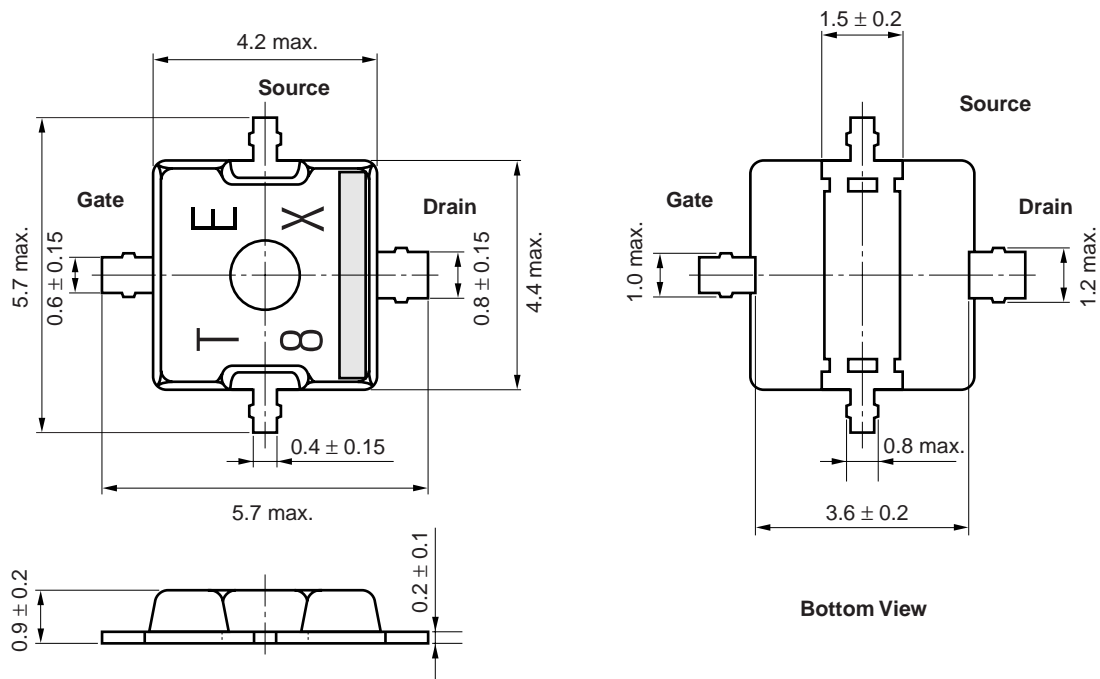
C1 = 30 pF    Rg = 30 Ω  
 C2 = 30 pF

Substrate: Teflon glass (εr = 2.6)  
 t = 0.8 mm

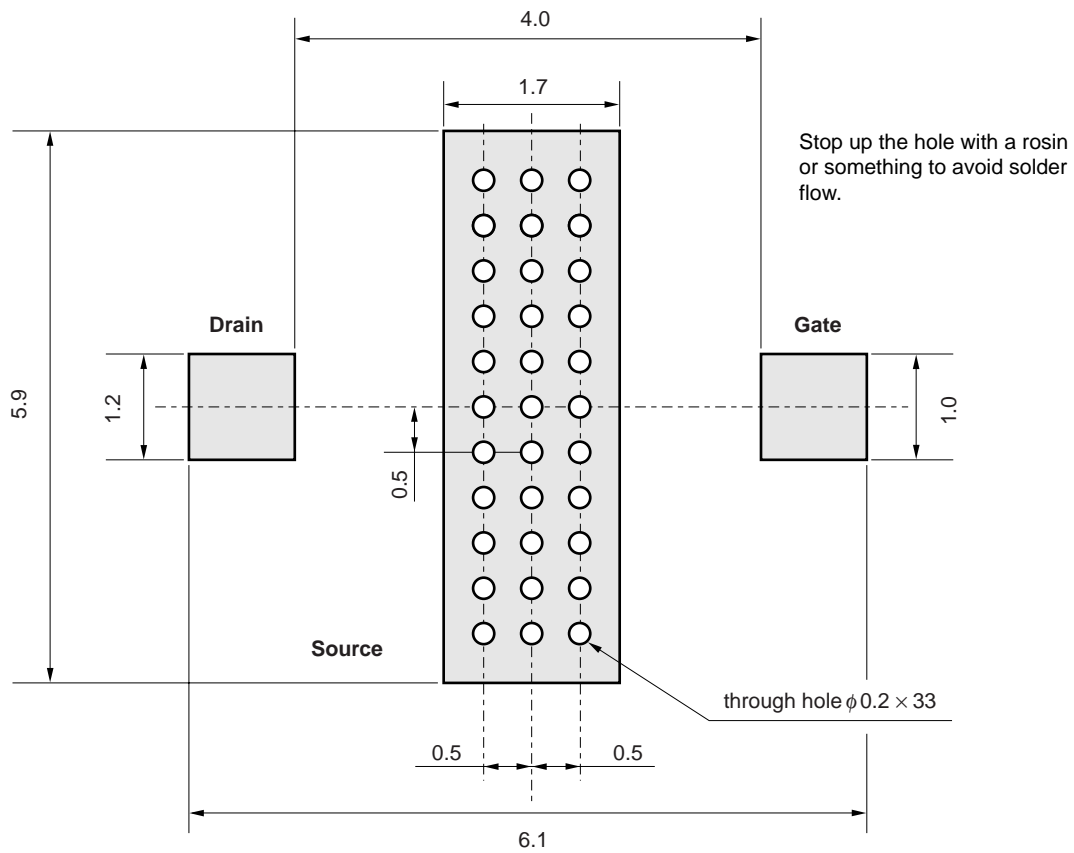
**NE6500379A S-PARAMETERS TEST CONDITIONS:  $V_{DS} = 6.0\text{ V}$ ,  $I_{Dset} = 500\text{ mA}$**

| FREQUENCY<br>MHz | S <sub>11</sub> |             | S <sub>21</sub> |             | S <sub>12</sub> |             | S <sub>22</sub> |             |
|------------------|-----------------|-------------|-----------------|-------------|-----------------|-------------|-----------------|-------------|
|                  | MAG.            | ANG. (deg.) | MAG.            | ANG. (deg.) | MAG.            | ANG. (deg.) | MAG.            | ANG. (deg.) |
| 1400             | 0.950           | 173.0       | 0.933           | 93.1        | 0.019           | 54.0        | 0.833           | 170.5       |
| 1450             | 0.946           | 172.6       | 0.906           | 91.6        | 0.020           | 54.9        | 0.841           | 170.5       |
| 1500             | 0.950           | 171.9       | 0.884           | 92.8        | 0.019           | 58.1        | 0.832           | 169.6       |
| 1550             | 0.947           | 171.4       | 0.851           | 93.3        | 0.020           | 58.3        | 0.837           | 169.6       |
| 1600             | 0.967           | 171.6       | 0.847           | 94.0        | 0.020           | 61.0        | 0.847           | 170.2       |
| 1650             | 0.948           | 170.3       | 0.818           | 92.5        | 0.021           | 62.7        | 0.838           | 168.8       |
| 1700             | 0.946           | 169.8       | 0.816           | 94.8        | 0.021           | 63.2        | 0.835           | 168.2       |
| 1750             | 0.944           | 169.0       | 0.762           | 93.0        | 0.022           | 63.8        | 0.838           | 168.0       |
| 1800             | 0.945           | 168.5       | 0.787           | 91.1        | 0.022           | 67.7        | 0.836           | 166.8       |
| 1850             | 0.947           | 167.8       | 0.742           | 94.4        | 0.022           | 66.2        | 0.833           | 166.9       |
| 1900             | 0.944           | 167.1       | 0.716           | 88.6        | 0.024           | 68.4        | 0.835           | 165.6       |
| 1950             | 0.939           | 166.2       | 0.704           | 92.6        | 0.022           | 68.5        | 0.835           | 165.8       |
| 2000             | 0.945           | 165.5       | 0.665           | 91.1        | 0.024           | 69.3        | 0.831           | 164.9       |
| 2050             | 0.944           | 164.9       | 0.655           | 93.3        | 0.023           | 68.2        | 0.834           | 164.5       |
| 2100             | 0.945           | 163.9       | 0.641           | 89.6        | 0.024           | 73.0        | 0.831           | 162.9       |
| 2150             | 0.936           | 163.4       | 0.621           | 96.7        | 0.024           | 69.6        | 0.828           | 162.4       |
| 2200             | 0.950           | 162.4       | 0.592           | 91.0        | 0.026           | 75.8        | 0.828           | 161.7       |

79A Package Dimensions (Unit: mm)



79A Package Recommended P.C.B. Layout (Unit: mm)



**RECOMMENDED SOLDERING CONDITIONS**

This product should be soldered under the following recommended conditions. For soldering methods and conditions other than those recommended below, contact your NEC sales representative.

| Soldering Method | Soldering Conditions   | Recommended Condition Symbol |
|------------------|--|------------------------------|
| Infrared Reflow  | Package peak temperature: 235°C or below<br>Time: 30 seconds or less (at 210°C)<br>Count: 2, Exposure limit <sup>Note</sup> : None | IR35-00-2                    |
| Partial Heating  | Pin temperature: 260°C<br>Time: 5 seconds or less (per pin row)<br>Exposure limit <sup>Note</sup> : None                           | —                            |

**Note** After opening the dry pack, keep it in a place below 25°C and 65% RH for the allowable storage period.

**Caution** Do not use different soldering methods together (except for partial heating).

## Caution

**The Great Care must be taken in dealing with the devices in this guide.  
The reason is that the material of the devices is GaAs (Gallium Arsenide), which is designated as harmful substance according to the law concerned.  
Keep the law concerned and so on, especially in case of removal.**

The application circuits and their parameters are for reference only and are not intended for use in actual design-ins.

No part of this document may be copied or reproduced in any form or by any means without the prior written consent of NEC Corporation. NEC Corporation assumes no responsibility for any errors which may appear in this document.

NEC Corporation does not assume any liability for infringement of patents, copyrights or other intellectual property rights of third parties by or arising from use of a device described herein or any other liability arising from use of such device. No license, either express, implied or otherwise, is granted under any patents, copyrights or other intellectual property rights of NEC Corporation or others.

While NEC Corporation has been making continuous effort to enhance the reliability of its semiconductor devices, the possibility of defects cannot be eliminated entirely. To minimize risks of damage or injury to persons or property arising from a defect in an NEC semiconductor device, customers must incorporate sufficient safety measures in its design, such as redundancy, fire-containment, and anti-failure features.

NEC devices are classified into the following three quality grades:

"Standard", "Special", and "Specific". The Specific quality grade applies only to devices developed based on a customer designated "quality assurance program" for a specific application. The recommended applications of a device depend on its quality grade, as indicated below. Customers must check the quality grade of each device before using it in a particular application.

**Standard:** Computers, office equipment, communications equipment, test and measurement equipment, audio and visual equipment, home electronic appliances, machine tools, personal electronic equipment and industrial robots

**Special:** Transportation equipment (automobiles, trains, ships, etc.), traffic control systems, anti-disaster systems, anti-crime systems, safety equipment and medical equipment (not specifically designed for life support)

**Specific:** Aircrafts, aerospace equipment, submersible repeaters, nuclear reactor control systems, life support systems or medical equipment for life support, etc.

The quality grade of NEC devices is "Standard" unless otherwise specified in NEC's Data Sheets or Data Books. If customers intend to use NEC devices for applications other than those specified for Standard quality grade, they should contact an NEC sales representative in advance.

Anti-radioactive design is not implemented in this product.