

Customer Information Sheet

DRAWING No.: M20-611XXXX

SHEET 2 OF 2

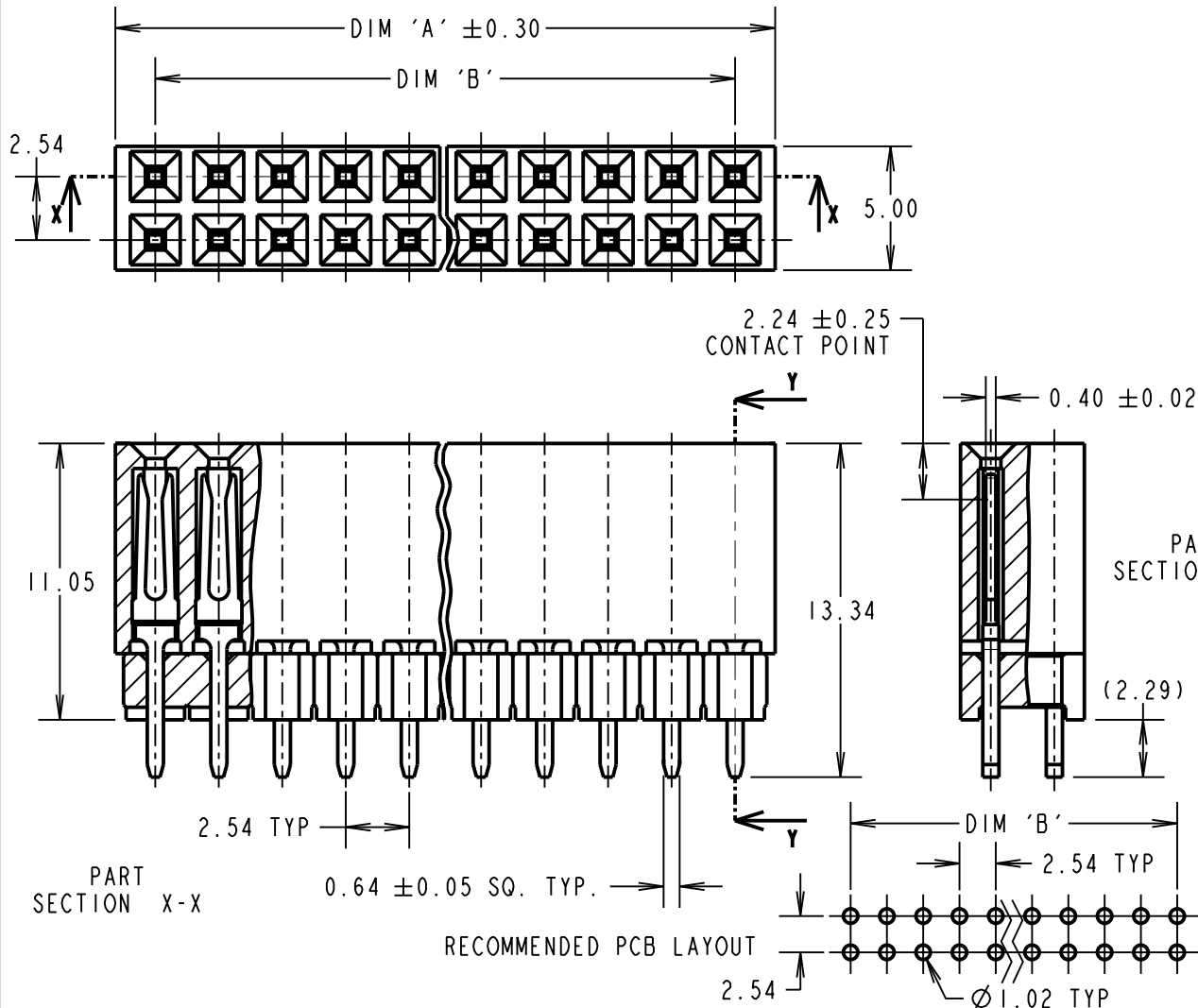
IF IN DOUBT - ASK

(C)

NOT TO SCALE

THIRD ANGLE PROJECTION

ALL DIMENSIONS IN mm



SPECIFICATION:

MATERIAL:

MOULDING =

05 FINISH = GLASS FILLED POLYESTER UL94V-0 BLACK

45 FINISH = HIGH TEMP NYLON 6T UL94V-0, BLACK

CONTACTS = PHOSPHOR BRONZE

FINISH:

CONTACTS = 0.08µ GOLD OVER NICKEL

ELECTRICAL:

CURRENT RATING = 3A MAX

CONTACT RESISTANCE = 30 MILLIOHMS MAX

INSULATION RESISTANCE = 5,000 MEGOHMS MIN

VOLTAGE PROOF = 1,000V AC FOR 1 MINUTE

MECHANICAL:

INSERTION FORCE (PER CONTACT) = 2.0N/MAX

WITHDRAWAL FORCE (PER CONTACT) = 0.3N MIN

ENVIRONMENTAL:

TEMPERATURE RANGE = -55°C TO +105°C

PACKING:

TUBE

| No. OF WAYS PER ROW | DIM 'A' | DIM 'B' |
|---------------------|---------|---------|
| 20 | 51.46 | 48.26 |
| 32 | 81.94 | 78.74 |

NOTES:

1. ALL TOLERANCES ARE ±0.20 UNLESS OTHERWISE STATED.

ORDER CODE:

M20-611XXXX

No. OF WAYS PER ROW

20, 32

FINISH:

05 = GOLD

45 = GOLD (ROHS COMPLIANT)

| | | | |
|---------------------|------|----------|--------|
| CP | 7 | 03.12.09 | 10582 |
| NAME | ISS. | DATE | C/NOTE |
| APPROVED: C.PENROSE | | | |
| CHECKED: R.ADDE | | | |
| DRAWN: W.J.BOURNE | | | |
| CUSTOMER REF.: | | | |
| ASSEMBLY DRG: | | | |

HARWIN

HARWIN USA
TEL: 603 893 5376
FAX: 603 893 5396
mis@harwin.com

HARWIN Europe (UK)
TEL: 023 9231 4545
FAX: 023 9231 4590
mis@harwin.co.uk

HARWIN Asia
TEL: +65 6 779 4909
FAX: +65 6 779 3868
mis@harwin.com.sg

THIS DRAWING AND ANY INFORMATION OR DESCRIPTIVE MATTER SET OUT HEREON ARE CONFIDENTIAL AND COPYRIGHT PROPERTY OF THE HARWIN GROUP AND MUST NOT BE DISCLOSED, LOANED, COPIED OR USED FOR MANUFACTURING, TENDERING OR FOR ANY OTHER PURPOSE WITHOUT THEIR WRITTEN PERMISSION.

TOLERANCES
X. = ±1mm
X.X = ±0.25mm
X.XX = ±0.10mm
X.XXX = ±0.01mm
ANGLES = ±5°
UNLESS STATED

MATERIAL:

SEE ABOVE

FINISH: SEE ABOVE

S/AREA: mm²

TITLE:

PCI04 CONNECTOR
(NON-STACKTHROUGH)

DRAWING NUMBER:

M20-611XXXX

SHT

2 OF 2