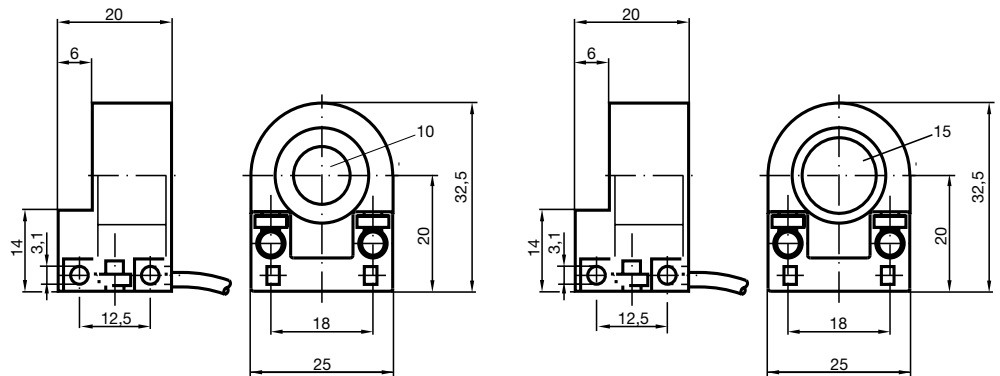


Ring Type

NAMUR

2-wire

Comfort series
 10 mm inside diameter
 15 mm inside diameter



Inside diameter	10 mm	15 mm
NAMUR NC	RC10-14-N0	RC15-14-N0
Diameter	2,5 mm	3 mm
Length	4 mm	4 mm
Nominal voltage U_o	8 V	8 V
Current consumption		
Measuring plate detected	1 mA	1 mA
Measuring plate not detected	3 mA	3 mA
Switching frequency f	2000 Hz	1500 Hz
EMC in accordance with	EN 60947-5-2	EN 60947-5-2
Standard conformity	DIN EN 60947-5-6	DIN EN 60947-5-6
Effective internal capacitance C_i	25 nF	25 nF
Effective internal inductance L_i	10 μ H	10 μ H
Ambient temperature	-20 ... 65 °C	-20 ... 65 °C
Protection degree	IP67	IP67
Connection type	2 m, PVC-cable	2 m, PVC-cable
Core cross-section	0,14 mm ²	0,14 mm ²
Housing material	PBT	PBT

Connection:

