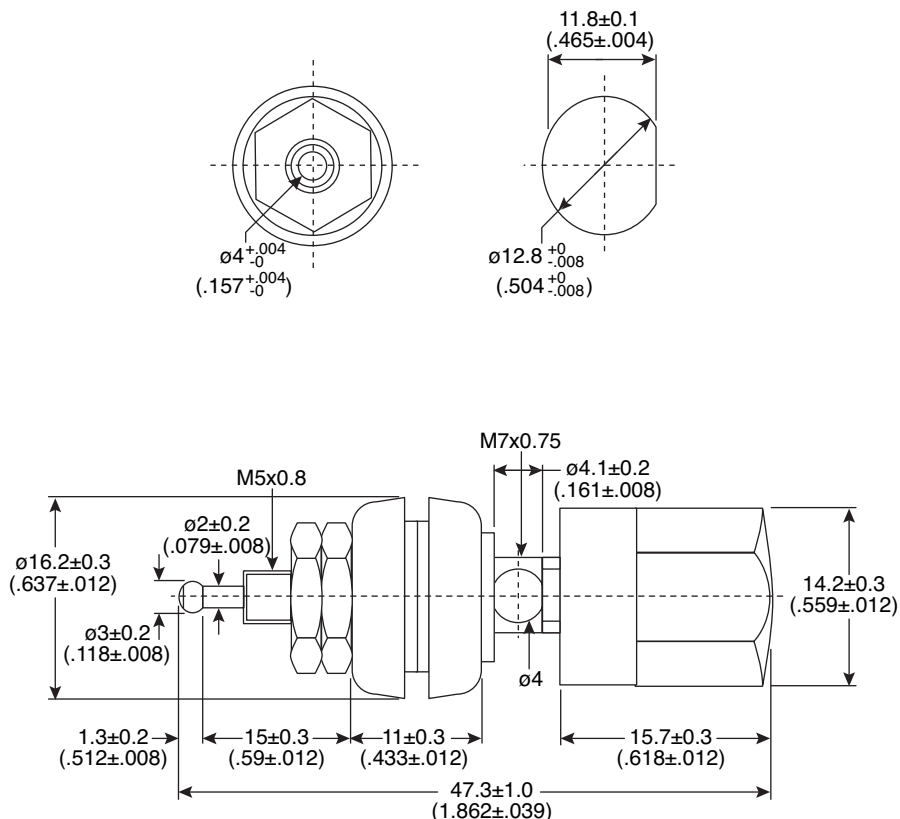


Binding Post

164-R119R, 164-R119B



Binding Post



Dimensions: In.

SPECIFICATIONS	
Rating:	10A 125V AC
Insulation Resistance:	DC 500V 100M Ω Min
Dielectric Strength:	AC 1000V 1 Minute
Temperature Range:	-10°C to +80°C

MATERIALS	
Insulation:	Nylon
Metal:	Nickel Plated Brass
Panel Thickness:	.2-2.5mm

Date Last Revised: 10-17-05

Available from Mouser Electronics
1-800-346-6873
www.mouser.com

KC-300116

164-R119R, 164-R119B