

PLEASE CHECK WWW.MOLEX.COM FOR LATEST PART INFORMATION

Part Number: [0358190315](#)
Status: **Active**
Description: 6.35mm (.250") Tab Relay Housing, Female, 3 Circuits

Documents:

[Drawing \(PDF\)](#) [RoHS Certificate of Compliance \(PDF\)](#)
[Product Specification PS-35270-001 \(PDF\)](#)

General

| | |
|----------------|----------------|
| Product Family | Crimp Housings |
| Series | 35819 |
| Product Name | N/A |

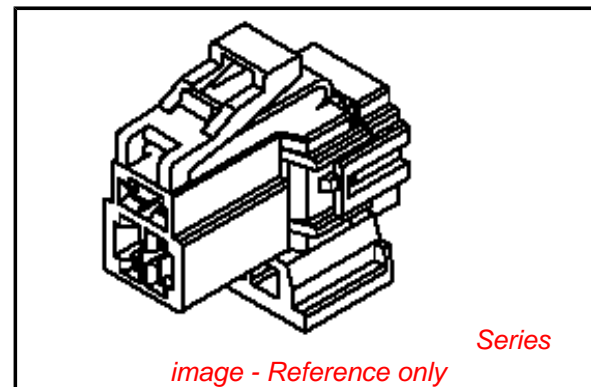
Physical

| | |
|-------------------------------|--------------------|
| Circuits (maximum) | 3 |
| Color - Resin | Gray, Natural |
| Gender | Female |
| Glow-Wire Compliant | No |
| Material - Resin | Polyester |
| Number of Rows | 2 |
| Packaging Type | Bag |
| Panel Mount | No |
| Pitch - Mating Interface (in) | 0.157 In, 0.276 In |
| Pitch - Mating Interface (mm) | 4.00 mm, 7.00 mm |
| Stackable | No |
| Temperature Range - Operating | -40°C to +80°C |

Material Info

Reference - Drawing Numbers

| | |
|-----------------------|--------------|
| Product Specification | PS-35270-001 |
| Sales Drawing | SD-35819-001 |



EU RoHS

**ELV and RoHS
Compliant**
REACH SVHC
 Not Reviewed
**Halogen-Free
Status**

China RoHS



**Need more information on product
environmental compliance?**

Email productcompliance@molex.com
 For a multiple part number RoHS Certificate of
 Compliance, [click here](#)

Please visit the [Contact Us](#) section for any
 non-product compliance questions.

Search Parts in this Series
[35819Series](#)

Use With
[35427](#) , [35430](#)

DWG. NO. SD358 19-001

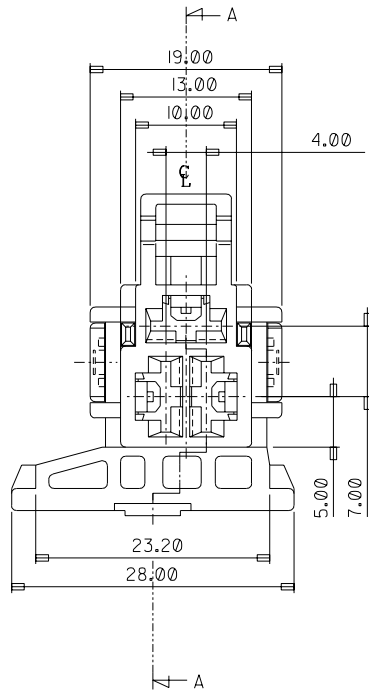
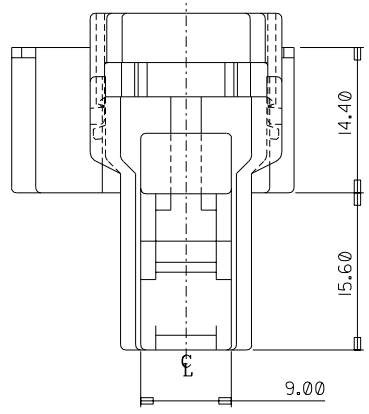
SIMILAR ITEM

PROJECT NO.

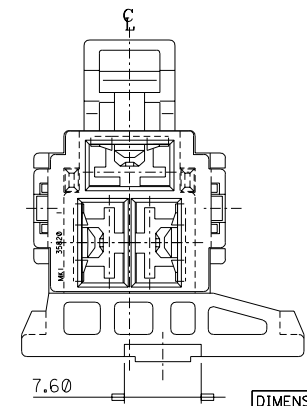
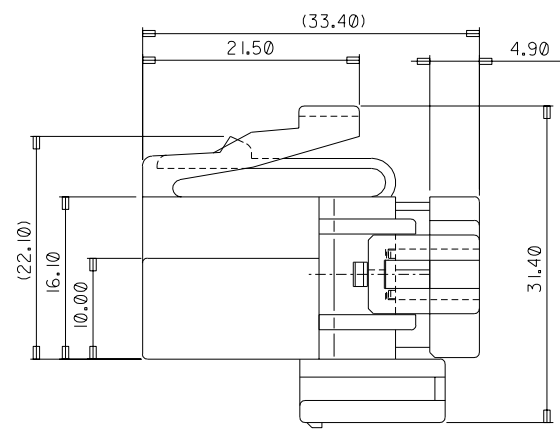
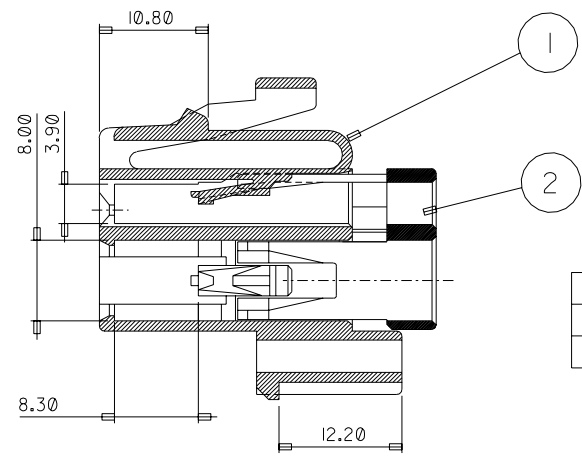
C

B

DO NOT SCALE DRAWING
DIMENSION IN METRIC



SECTION A-A



NOTE

1. MATERIAL: POLYESTER
2. COLOR: SEE TABLE
3. PRODUCT SPECIFICATION: PS 35270-0001
4. APPLICABLE TERMINALS : SD35427-97**,98**,99**
SD35430-1700,1800,1900

| NO. | PART NAME | PART NO. | FINISH |
|-----|--------------------|--------------|---------|
| 1 | POWERMATE F/HSG 3P | SD35819-0395 | D/GRAY |
| 2 | POWERMATE TPA 3P | SD35820-0380 | NATURAL |

| | | | | | | | | | | | | |
|--------------------------------------------------------------------------------------|----------------------------------|--------------------------------------------------------------|---------------------------------------------|-----------------------------------------------------------------------------------------------------------------------------------|--------------|--------------------------------------------------------------------------------------|---------------------------|------------------------------------------------|--|---------------------|-----|-----------|
| REVISED EC NO. KOR2002-0141 DRWNS.MXKIM 02/06/07 CHKH.C.RHO APPR.C.W.LEE | DESCRIPTION MAJOR CRITICAL | QUALITY SYMBOLS | | GENERAL TOLERANCES: (UNLESS SPECIFIED) | SCALE 2/1 | DESIGN UNITS <input checked="" type="checkbox"/> mm <input type="checkbox"/> INCH | THIRD ANGLE PROJECTION | DIMENSIONS: | | SHT | REV | |
| | | <input type="checkbox"/> mm <input type="checkbox"/> INCH | <input checked="" type="checkbox"/> mm ONLY | | | | | REVISE ON CAD ONLY | | | | |
| B | REV | 4 PLACES | ± | mm | ± | INCH | ± | DRAWN BY & DATE '97.8.26 H.C.RHO | | | | |
| | | 3 PLACES | ± | mm | ± | INCH | ± | CHECKED BY & DATE '97.8.26 B.K.CHOI | | | | |
| | | 2 PLACES | ±0.2 | mm | ± | INCH | ± | APPROVED BY & DATE '97.8.26 C.W.LEE | | | | |
| | | 1 PLACE | ±0.3 | mm | ± | INCH | ± | TITLE: POWERMATE RLY FEMALE HSG ASS'Y 3P | | | | |
| | | ANGULAR: ± ° | | CAD FILENAME SD35819 | | MATERIAL NO. SEE NOTE | | DRAWING NO. SD35819-001 | | SHEET NO. 1 OF 1 | | |
| | | DRAFT WHERE APPLICABLE MUST REMAIN WITHIN DIMENSIONS | | THIS DRAWING CONTAINS INFORMATION THAT IS PROPRIETARY TO MOLEX INCORPORATED AND SHOULD NOT BE USED WITHOUT WRITTEN PERMISSION. | | | | | | | | SIZE B |