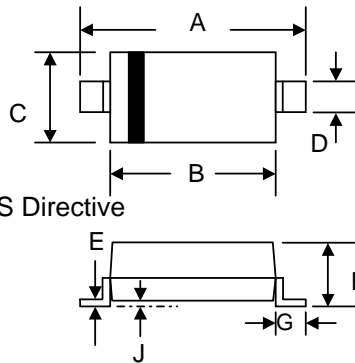


Date Sheet 3332, Rev -

Green Products

Features

- Low Turn-on Voltage
- Fast Switching
- PN Junction Guard Ring for Transient and ESD Protection
- Designed for Surface Mount Application
- Plastic Material – UL Recognition Flammability Classification 94V-0
- Green Products in Compliance with the RoHS Directive



SOD-123				
Dim	Min	Max	Min	Max
A	3.6	3.9	0.14	0.154
B	2.5	2.8	0.098	0.110
C	1.4	1.8	0.055	0.070
D	0.5	0.7	0.020	0.028
E	—	0.2	—	0.008
G	0.4	—	0.016	—
H	0.95	1.35	0.037	0.053
J	—	0.12	—	0.005
			In mm	In inch

Mechanical Data

- Case: SOD-123, Molded Plastic
- Terminals: Plated Leads Solderable per MIL-STD-202, Method 208
- Polarity: Cathode Band
- Weight: 0.01 grams (approx.)

Maximum Ratings @T_A=25°C unless otherwise specified

Characteristic	Symbol	MBR0520L	MBR0530-G	MBR0540-G	Unit
Peak Repetitive Reverse Voltage	V _{RRM}				
Working Peak Reverse Voltage	V _{RWM}	20	30	40	V
DC Blocking Voltage	V _R				
RMS Reverse Voltage	V _{R(RMS)}	14	21	28	V
Average Rectified Output Current @T _L = 75°C	I _o	0.5			A
Non-Repetitive Peak Forward Surge Current 8.3ms Single half sine-wave superimposed on rated load (JEDEC Method)	I _{FSM}	5.5			A
Power Dissipation (Note 1)	P _d	410			mW
Typical Thermal Resistance, Junction to Ambient Air (Note 1)	R _{θJA}	244			°C/W
Operating and Storage Temperature Range	T _j , T _{STG}	-65 to +125			°C

Electrical Characteristics @T_A=25°C unless otherwise specified

Characteristic	Symbol	MBR0520L	MBR0530-G	MBR0540-G	Unit
Forward Voltage Drop @I _F = 0.1A / 0.5A	V _{FM}	0.3 / 0.385	0.375 / 0.43	— / 0.51	V
Peak Reverse Leakage Current @V _R = 50% / 100% DC Blocking Voltage	I _{RM}	75 / 250	20 / 130	10 / 20	μA
Typical Junction Capacitance (V _R = 0V DC, f = 1MHz)	C _j	170			pF

Note: 1. Valid provided that terminals are kept at ambient temperature.

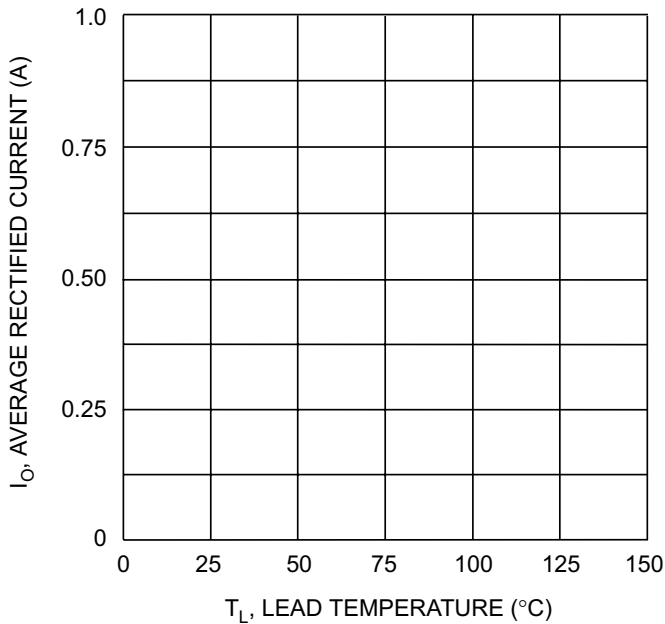


Fig. 1 Forward Current Derating Curve

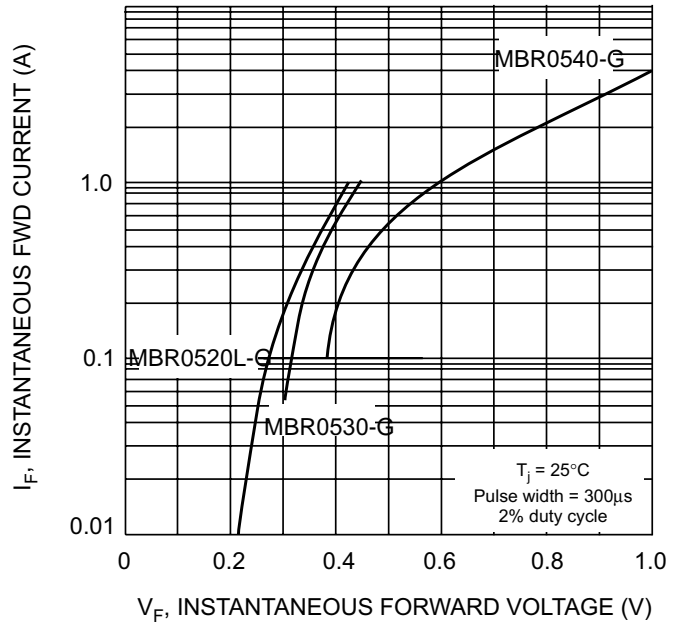


Fig. 2 Typical Forward Characteristics

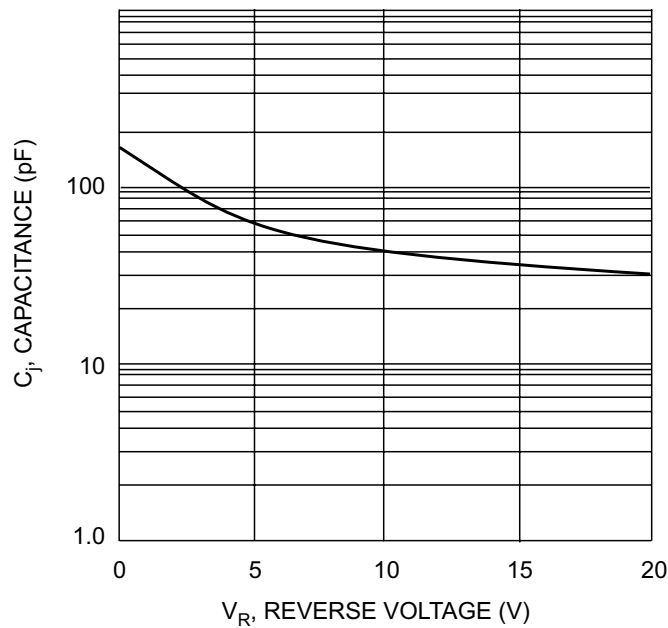


Fig. 3 Typ. Junction Capacitance vs Reverse Voltage

DISCLAIMER:

- 1- The information given herein, including the specifications and dimensions, is subject to change without prior notice to improve product characteristics. Before ordering, purchasers are advised to contact the Sensitron Semiconductor sales department for the latest version of the datasheet(s).
- 2- In cases where extremely high reliability is required (such as use in nuclear power control, aerospace and aviation, traffic equipment, medical equipment, and safety equipment), safety should be ensured by using semiconductor devices that feature assured safety or by means of users' fail-safe precautions or other arrangement.
- 3- In no event shall Sensitron Semiconductor be liable for any damages that may result from an accident or any other cause during operation of the user's units according to the datasheet(s). Sensitron Semiconductor assumes no responsibility for any intellectual property claims or any other problems that may result from applications of information, products or circuits described in the datasheets.
- 4- In no event shall Sensitron Semiconductor be liable for any failure in a semiconductor device or any secondary damage resulting from use at a value exceeding the absolute maximum rating.
- 5- No license is granted by the datasheet(s) under any patents or other rights of any third party or Sensitron Semiconductor.
- 6- The datasheet(s) may not be reproduced or duplicated, in any form, in whole or part, without the expressed written permission of Sensitron Semiconductor.
- 7- The products (technologies) described in the datasheet(s) are not to be provided to any party whose purpose in their application will hinder maintenance of international peace and safety nor are they to be applied to that purpose by their direct purchasers or any third party. When exporting these products (technologies), the necessary procedures are to be taken in accordance with related laws and regulations.