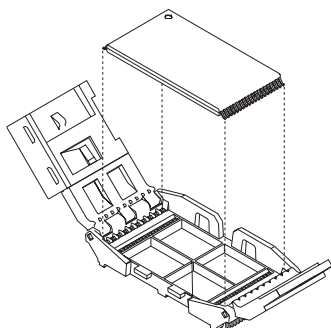


SURFACE MOUNT SOP SOCKETS

No. SKT-01-1098



The PSOP, TSOP and SSOP sockets are designed for use in OEM, prototyping and programming applications. The unique positive locking lid secures devices to high normal force surface mount contacts. The common land-pad foot-print of the socket and device eliminates the need to modify a PCB layout after development stages. These zero insertion force sockets can be effortlessly loaded and unloaded minimizing the potential risk of damaged leads.

FEATURES and BENEFITS

- For OEM, prototyping, programming and test applications
- Surface mount
- Zero insertion force
- Land pad footprint common for package and socket
- Positive locking lid design
- Effortless loading and unloading
- High normal force contacts
- Available without alignment pins for pick and place
- Available with alignment pins to facilitate hand placement
- Standard packaging is in trays or tape and reel configurations.

SPECIFICATIONS

ELECTRICAL:

- Contact resistance: 30 milliohms max.
- Current rating: 0.5 AMP
- Dielectric withstanding voltage: 250V AC
- Insulation resistance: 500 Mega Ohms

MECHANICAL:

- Contact material: Copper alloy with PbSn plating
- Minimum insertion/withdrawal cycles: 50

ENVIRONMENTAL:

- Body, lid and locking material: LCP
- Flammability: 94V-0
- Temperature range: -55°C to +105°C

For custom connector solutions or the name and location of your nearest Meritec Sales Representative or Distributor call 1-888-MERITEC (888-637-4832).



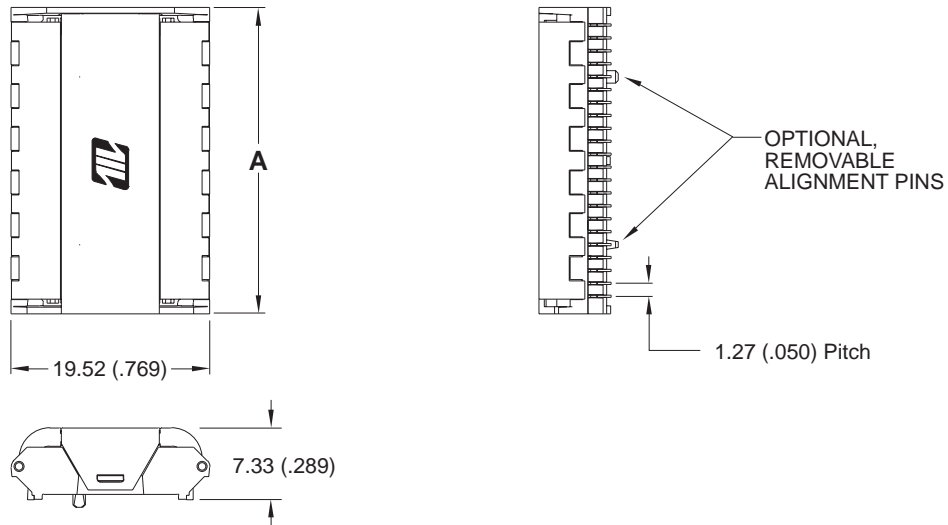
Where quality assures performance

All statements, specifications and technical information on this data sheet are subject to change at any time without notice

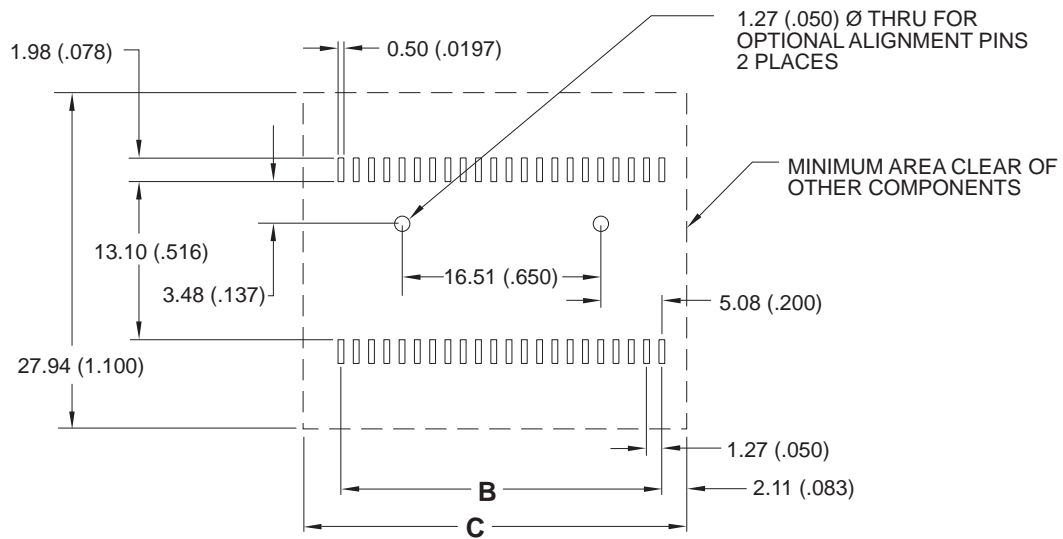
MERITEC • 1359 WEST JACKSON STREET • POST OFFICE BOX 8003 • PAINESVILLE, OHIO 44077
PHONE: 888-MERITEC or (888-637-4832) / (440) 354-3148 • FAX: (440) 354-0509 • INTERNET: WWW.MERITEC.COM

SURFACE MOUNT 1.27mm PSOP SOCKET

No. SKT-01-1098



SOCKET LAND-PAD FOOTPRINT



millimeters(inches)

DIMENSION CHART

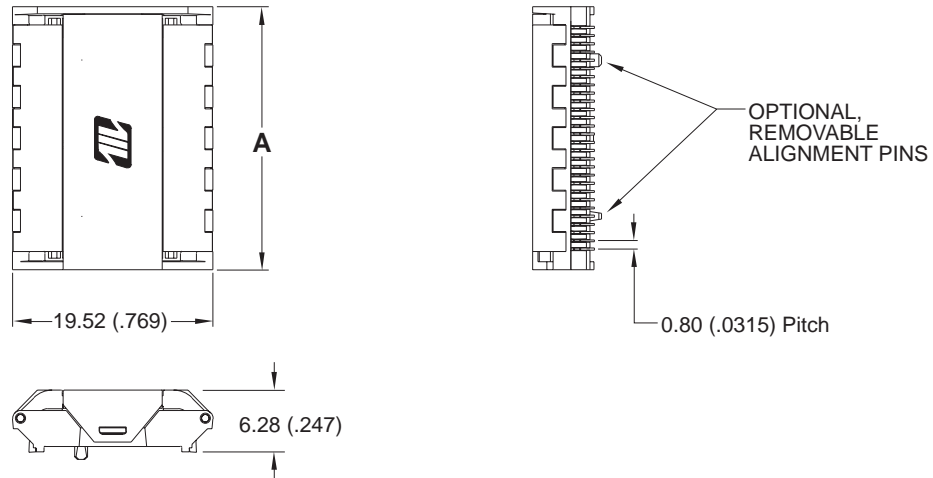
PACKAGE	#LEADS	DIM A		DIM B		DIM C		* MERITEC PART NUMBER		STANDARD PACKAGE QTY.	
		mm	inches	mm	inches	mm	inches	WITHOUT ALIGNMENT PINS	WITH ALIGNMENT PINS	PER TRAY	*TAPE & REEL
1.27mm PSOP	44	30.10	1.185	26.67	1.050	31.90	1.256	980021-44-01	980021-44-02	32	250

* Note: When ordering tape and reel packaging, the part number should be followed by the letter "K"

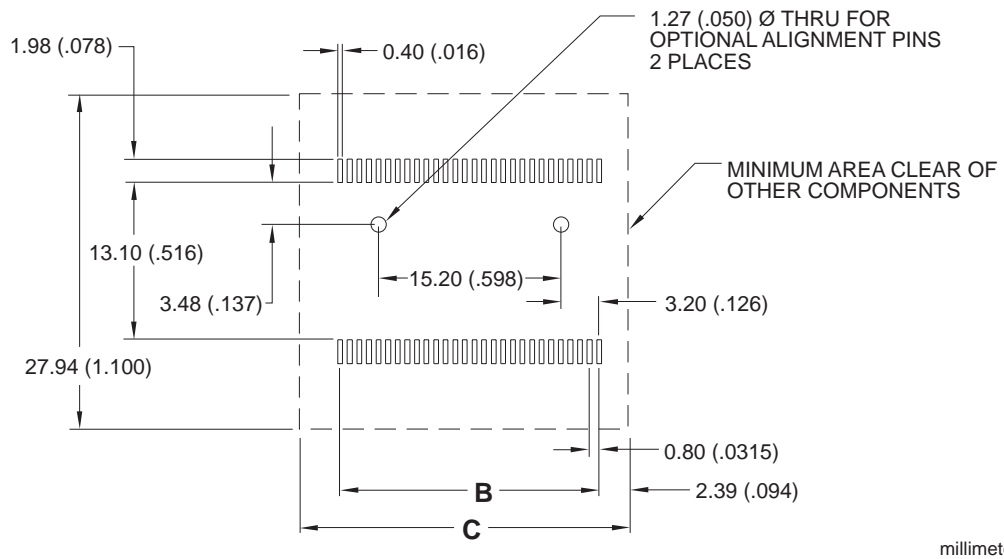
For custom connector solutions or the name and location of your nearest Meritec Sales Representative, call 1-888-MERITEC (888-637-4832).

SURFACE MOUNT 0.80mm SSOP SOCKET

No. SKT-01-1098



SOCKET LAND-PAD FOOTPRINT



DIMENSION CHART

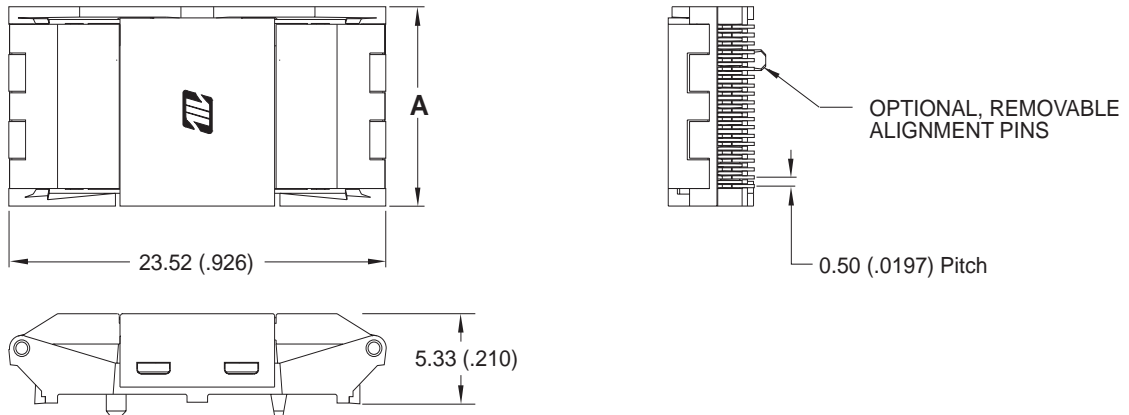
PACKAGE	#LEADS	DIM A		DIM B		DIM C		* MERITEC PART NUMBER		STANDARD PACKAGE QTY.	
		mm	inches	mm	inches	mm	inches	WITHOUT ALIGNMENT PINS	WITH ALIGNMENT PINS	PER TRAY	*TAPE & REEL
0.80mm SSOP	56	25.60	1.008	21.60	.850	27.38	1.078	980022-56-01	980022-56-02	32	250

* Note: When ordering tape and reel packaging, the part number should be followed by the letter "K"

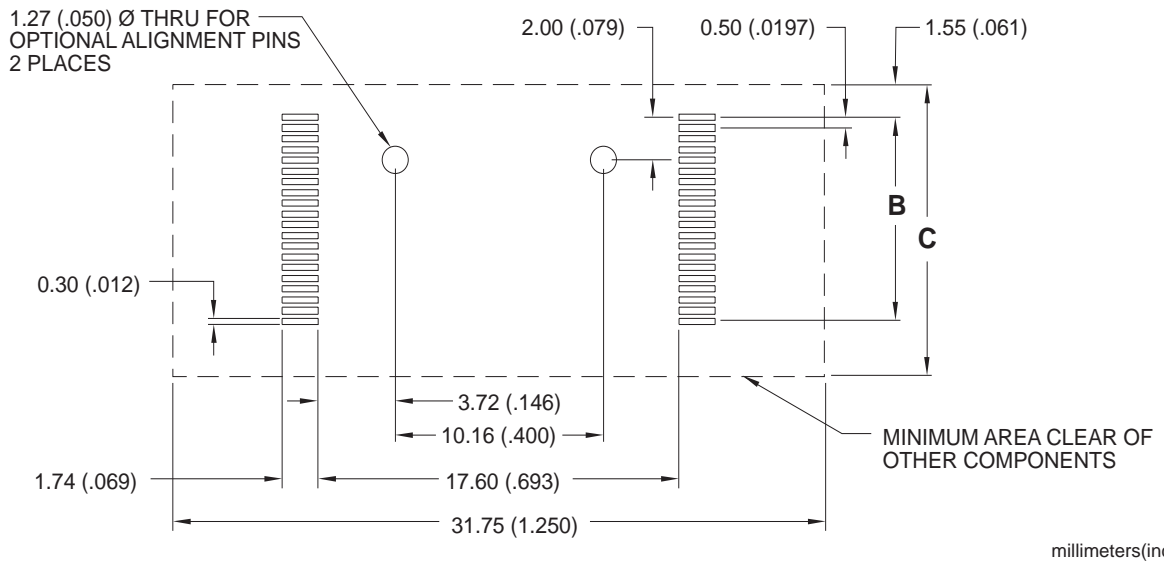
For custom connector solutions or the name and location of your nearest Meritec Sales Representative, call 1-888-MERITEC (888-637-4832).

SURFACE MOUNT 0.50mm TSOP SOCKET

No. SKT-01-1098



SOCKET LAND-PAD FOOTPRINT



millimeters(inches)

DIMENSION CHART

PACKAGE	#LEADS	DIM A		DIM B		DIM C		* MERITEC PART NUMBER		STANDARD PACKAGE QTY.	
		mm	inches	mm	inches	mm	inches	WITHOUT ALIGNMENT PINS	WITH ALIGNMENT PINS	PER TRAY	*TAPE & REEL
0.50mm TSOP	40	11.85	.467	9.50	.374	13.61	.536	980020-40-01	980020-40-02	70	250
	48	13.85	.545	11.50	.453	15.62	.615	980020-48-01	980020-48-02	63	250
	56	15.85	.624	13.50	.531	17.63	.694	980020-56-01	980020-56-02	56	250

* Note: When ordering tape and reel packaging, the part number should be followed by the letter "K"



Where quality assures performance

For custom connector solutions or the name and location of your nearest Meritec Sales Representative, call 1-888-MERITEC (888-637-4832).

All statements, specifications and technical information on this data sheet are subject to change at any time without notice