

LINEAR IC

1 CHANNEL 8-BIT D/A CONVERTER

MB4072

1 CHANNEL 8-BIT D/A CONVERTER

The Fujitsu MB4072 is a High-Speed Digital to Analog Converter IC. The MB4072's current outputs are high impedance open-collector, which provide voltage output with a load or current to voltage converter for various applications with operational amplifiers, microcomputers, etc.

Threshold level of digital inputs is variable with the level control input for various interface level.

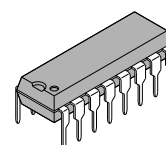
- Settling Time : 85ns
- Linearity Error : $\pm 0.19\%$ max.
- Full-scale Temperature coefficient: ± 10 ppm/ $^{\circ}$ C typ.
- Output Voltage Compliance : -10V to +18V
- Multiplying Operation
- True/Complimentary Current Sink Output
- Adjustable Threshold Level of Digital Inputs : Interface directly with TTL, CMOS, ECL, etc.
- Wide Supply Voltage Range : ± 4.5 V to ± 18 V
- Low Power Consumption : 33mW at ± 5 V typ.
- Operation Temperature : -40° C to $+85^{\circ}$ C
- Compatible with DAC-08
- Package : Plastic DIP Package: (Suffix: -P)
Plastic FPT Package: (Suffix: -PF)

■ ABSOLUTE MAXIMUM RATINGS

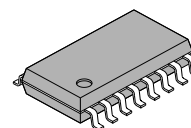
(TA = 25°C)

Parameter	Symbol	Value	Unit
Supply Voltage	V+ to V-	37	V
Digital Input Voltage	VI	V- to V- +37	V
Threshold Control Voltage	VLC	V- to V+	V
Reference Input Voltage	VREF(+)	V- to V+	V
	VREF(-)	V- to V+	V
Differential Reference Input Voltage	VREF(+) to VREF(-)	± 18.5	V
Reference Input Current	IREF	5	mA
Power Consumption	PD	500	mW
Storage Temp.	TSTG	-55 to +125	$^{\circ}$ C

NOTE: Permanent device damage may occur if the above **Absolute Maximum Ratings** are exceeded. Functional operation should be restricted to the conditions as detailed in the operational sections of this data sheet. Exposure to absolute maximum rating conditions for extended periods may affect device reliability.

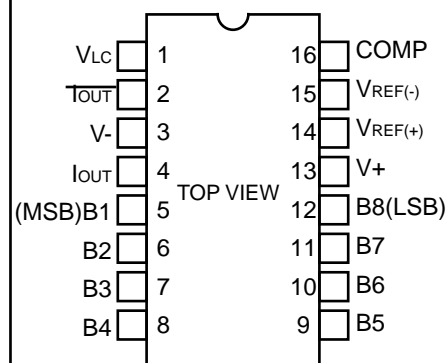


PLASTIC PACKAGE
DIP-16P-M04



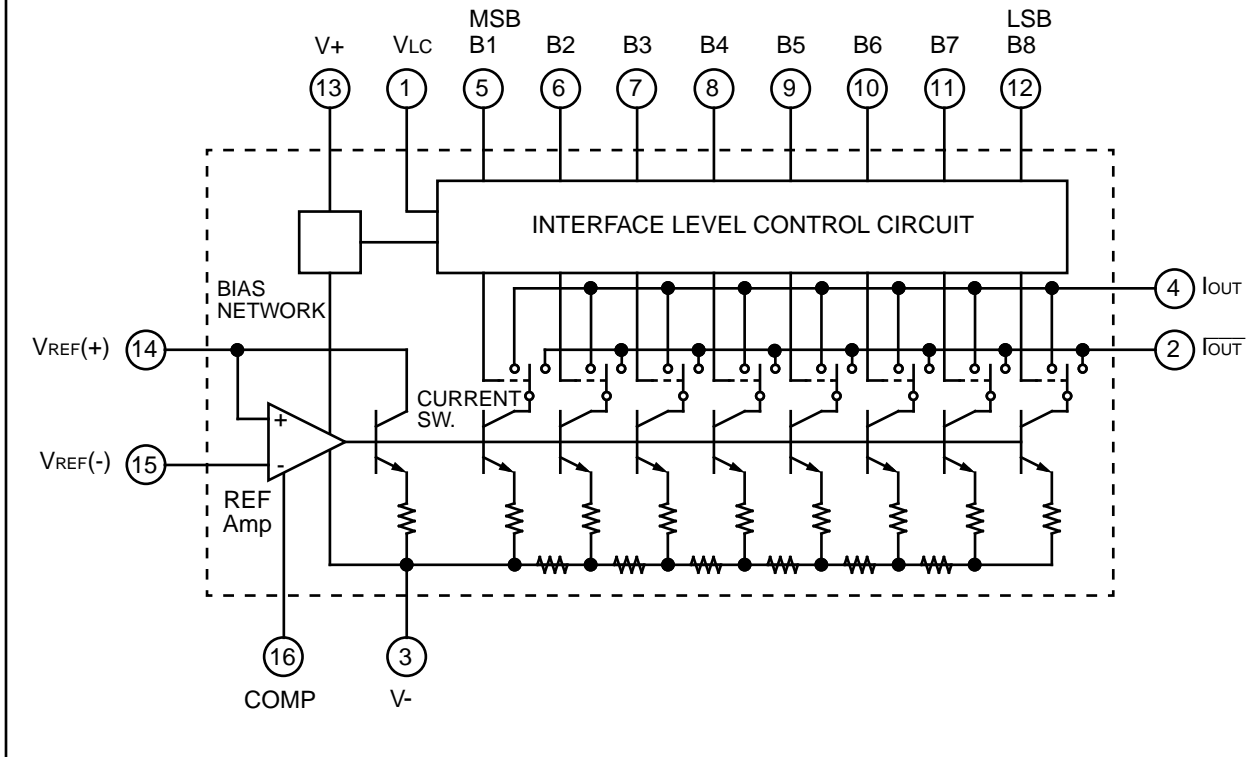
PLASTIC PACKAGE
FPT-16P-M06

PIN ASSIGNMENT



This device contains circuitry to protect the inputs against damage due to high static voltages or electric fields. However, it is advised that normal precautions be taken to avoid application of any voltage higher than maximum rated voltages to this high impedance circuit.

Fig. 1 - BLOCK DIAGRAM



RECOMMENDED OPERATING CONDITIONS

Parameter	Symbol				Unit
		Min	Typ	Max	
Supply Voltage	V+	+4.5	-	+18	V
	V-	-18	-	-4.5	V
Operating Temperature	T _A	-40	-	+85	°C

■ ELECTRICAL CHARACTERISTICS

(Recommended Operating Conditions unless otherwise noted.)

(V+ = +15V, V- = -15V, IREF = 2.0mA, TA = -40°C to +85°C)

Parameter	Symbol	Value			Unit
		Min	Typ	Max	
Resolution		8	8	8	bits
Monotonicity		8	8	8	bits
Linearity Error	LE	-	-	±0.19	% (FSR)
Settling Time (Final Value: ±1/2 LSB, TA=25°C, On/Off Switching for Each bit/All bits)	ts	-	85	150	ns
Propagation Delay Time (TA=25°C, On/Off Switching for Each bit/All bits)	tPLH tPHL	-	35	60	ns
Temperature coefficient at full-scale	TCIFS	-	±10	±50	ppm/°C
Output Voltage Range (ΔI_{FS} 1/2 LSB, ROUT 20M Ω typ.)	VOC	-10	-	+18	V
Output Current at full-scale (VREF=10.000V, R14=5.000k Ω , R15=5.000k Ω , TA=25°C)	I _{FS4}	1.94	1.99	2.04	mA
Symmetry at full-scale (I _{FSS} =I _{FS4} -I _{FS2})	T _{FSS}	-	±1.0	±8.0	μ A
Output Current at zero scale	I _{ZS}	-	0.2	2.0	μ A
Output Current Range (R14=5.000k Ω , R15=5.000k Ω , VREF=+15.0V, V=-10V)	I _{OR1}	2.1	-	-	mA
Output Current Range (R14=5.000k Ω , R15=5.000k Ω , VREF=+25.0V, V=-12V)	I _{OR2}	4.2	-	-	mA
Low-level Input Voltage (V _{LC} =0V)	V _{IL}	-	-	0.8	V
High-level Input Voltage (V _{LC} =0V)	V _{IH}	2.0	-	-	V
Low-level Input Current (V _{LC} =0V, V _{IN} =-10V to +0.8V)	I _{IL}	-	-0.2	-10	μ A
High-level Input Current (V _{LC} =0V, V _{IN} =2.0V to 18V)	I _{IH}	-	0.002	10	μ A

MB4072

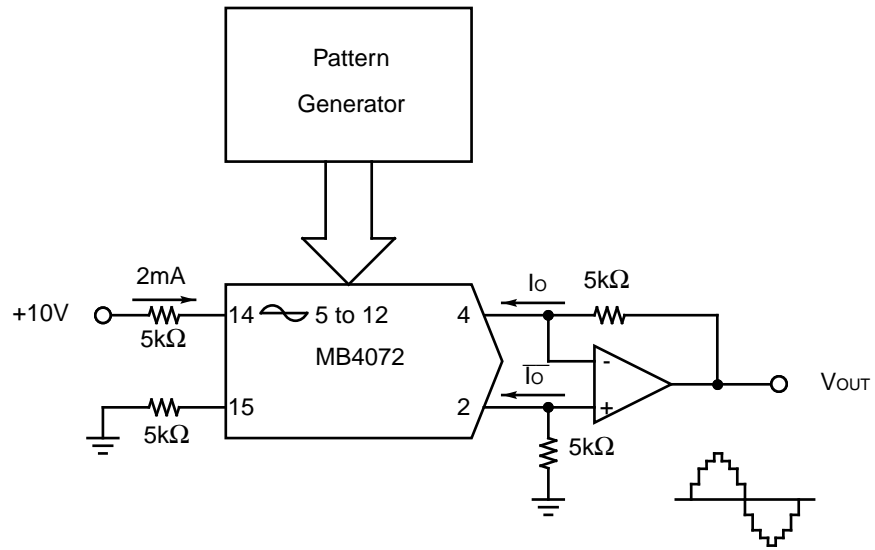
■ ELECTRICAL CHARACTERISTICS (Continued)

(V_S=±15V, I_{REF} = 2.0mA, T_A = -40°C to +85°C)

Parameter	Symbol	Value			Unit	
		Min	Typ	Max		
Logic Input Voltage Range (V ₋ =-15V)	V _{IS}	-10	-	+18	V	
Logic Threshold Voltage Range (V ₊ =+15V, V ₋ =-15V)	V _{THR}	-10	-	+13.5	V	
Reference Bias Current	I _{IS}	-	-1.0	-3.0	μA	
Reference Input Through Rate (R _{EQ} =200Ω, R _L =100Ω, C _L =0pF)	$\frac{dI}{dt}$	4.0	8.0	-	mA/μs	
Supply Voltage Sensitivity* (V ₊ =+4.5V to +18V, I _{REF} =1mA)	PSS _{I_{FS}+}	-	±0.0003	±0.01	%/%	
Supply Voltage Sensitivity* (V ₋ =-4.5V to -18V, I _{REF} =1mA)	PSS _{I_{FS}-}	-	±0.002	±0.01	%/%	
Supply Current	(V ₋ =+5V, V ₋ =-5V, I _{REF} =1.0mA)	I ₋	-	2.3	3.8	mA
		I ₋	-	-4.3	-5.8	mA
	(V ₊ =+5V, V ₋ =-15V, I _{REF} =2.0mA)	I ₋	-	2.4	3.8	mA
		I ₋	-	-6.4	-7.8	mA
	(V ₊ =+15V, V ₋ =-15V, I _{REF} =2.0mA)	I ₋	-	2.5	3.8	mA
		I ₋	-	-6.5	-7.8	mA
Power Dissipation	(V ₊ =+5V, V ₋ =-5V, I _{REF} =1.0mA)	P _D	-	33	48	mW
	(V ₊ =+5V, V ₋ =-15V, I _{REF} =2.0mA)	P _D	-	103	136	mW
	(V ₊ =+15V, V ₋ =-15V, I _{REF} =2.0mA)	P _D	-	135	174	mW

*Note: $PSS_{I_{FS}} = \left(\frac{\Delta I_{FS}}{I_{FS}} \times 100 \right) / \left(\frac{18-4.5}{15} \times 100 \right)$

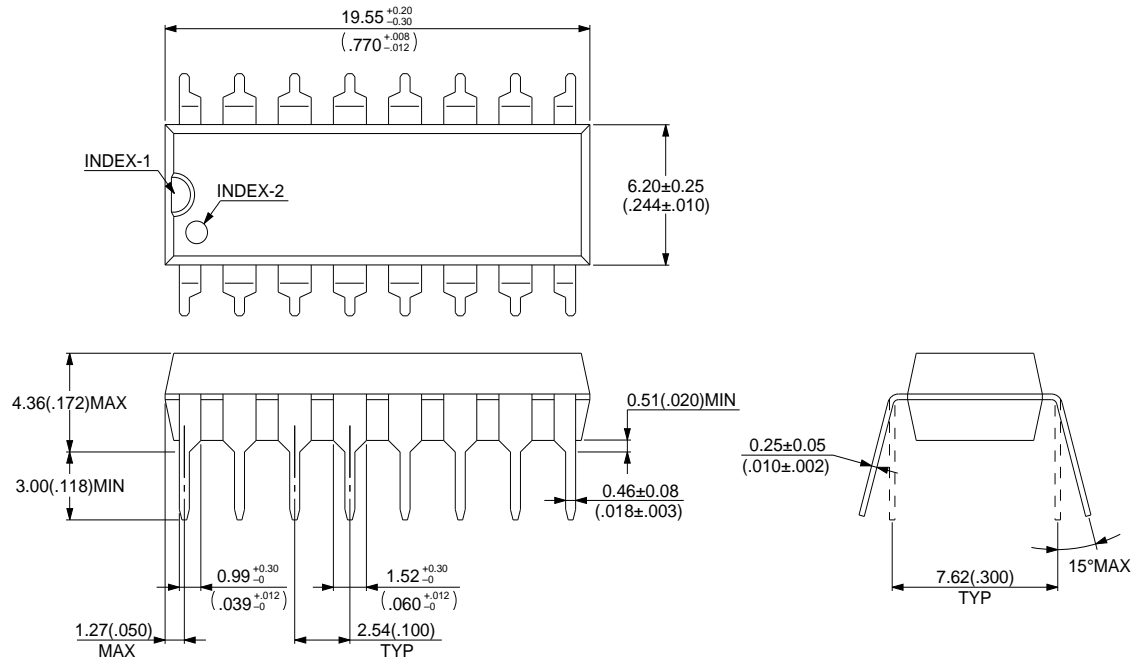
Fig. 2 - WAVEFORM SYNTHESIZER



MB4072

■ PACKAGE DIMENSIONS

16 pin, Plastic DIP
(DIP-16P-M04)

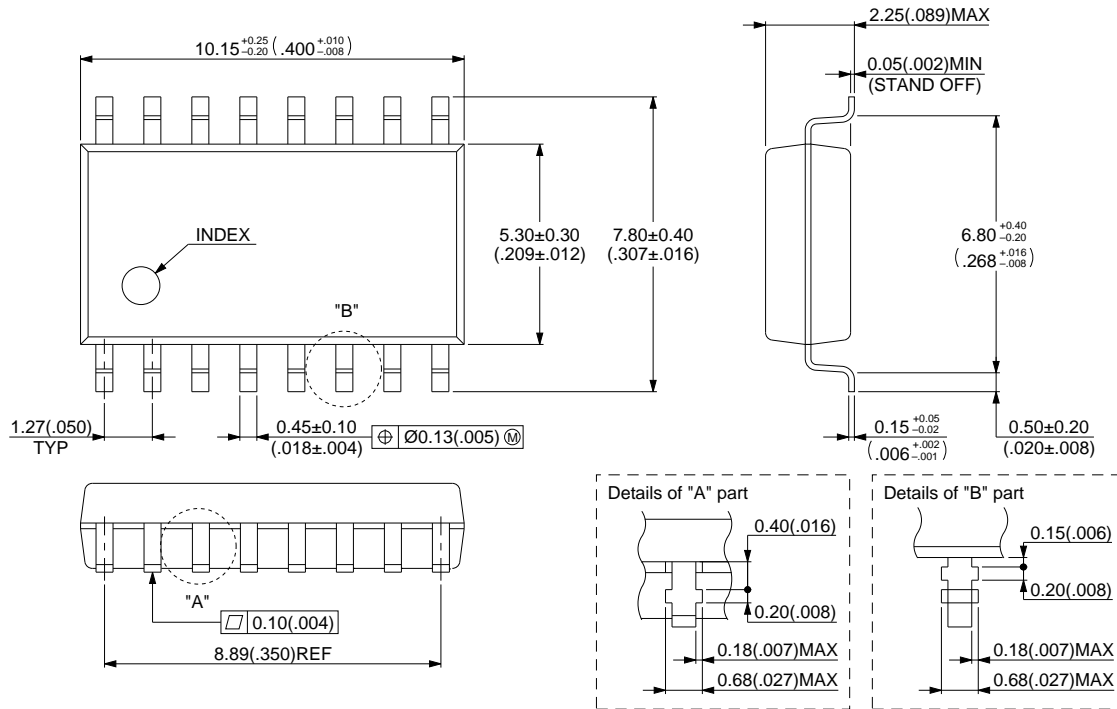


© 1994 FUJITSU LIMITED D16033S-2C-3

Dimensions in mm(inches).

■ PACKAGE DIMENSIONS (Continued)

16 pin, Plastic SOP
(FPT-16P-M06)



© 1994 FUJITSU LIMITED F16015S-2C-4

Dimensions in mm(inches).

FUJITSU LIMITED

For further information please contact:

Japan

FUJITSU LIMITED
Corporate Global Business Support Division
Electronic Devices
KAWASAKI PLANT, 4-1-1, Kamikodanaka
Nakahara-ku, Kawasaki-shi
Kanagawa 211-88, Japan
Tel: (044) 754-3763
Fax: (044) 754-3329

North and South America

FUJITSU MICROELECTRONICS, INC.
Semiconductor Division
3545 North First Street
San Jose, CA 95134-1804, U.S.A.
Tel: (408) 922-9000
Fax: (408) 432-9044/9045

Europe

FUJITSU MIKROELEKTRONIK GmbH
Am Siebenstein 6-10
63303 Dreieich-Buchsschlag
Germany
Tel: (06103) 690-0
Fax: (06103) 690-122

Asia Pacific

FUJITSU MICROELECTRONICS ASIA PTE. LIMITED
#05-08, 151 Lorong Chuan
New Tech Park
Singapore 556741
Tel: (65) 281-0770
Fax: (65) 281-0220

All Rights Reserved.

The contents of this document are subject to change without notice. Customers are advised to consult with FUJITSU sales representatives before ordering.

The information and circuit diagrams in this document presented as examples of semiconductor device applications, and are not intended to be incorporated in devices for actual use. Also, FUJITSU is unable to assume responsibility for infringement of any patent rights or other rights of third parties arising from the use of this information or circuit diagrams.

FUJITSU semiconductor devices are intended for use in standard applications (computers, office automation and other office equipment, industrial, communications, and measurement equipment, personal or household devices, etc.).

CAUTION:

Customers considering the use of our products in special applications where failure or abnormal operation may directly affect human lives or cause physical injury or property damage, or where extremely high levels of reliability are demanded (such as aerospace systems, atomic energy controls, sea floor repeaters, vehicle operating controls, medical devices for life support, etc.) are requested to consult with FUJITSU sales representatives before such use. The company will not be responsible for damages arising from such use without prior approval.

Any semiconductor devices have inherently a certain rate of failure. You must protect against injury, damage or loss from such failures by incorporating safety design measures into your facility and equipment such as redundancy, fire protection, and prevention of over-current levels and other abnormal operating conditions.

If any products described in this document represent goods or technologies subject to certain restrictions on export under the Foreign Exchange and Foreign Trade Control Law of Japan, the prior authorization by Japanese government should be required for export of those products from Japan.