

T-27-01
T-33-01

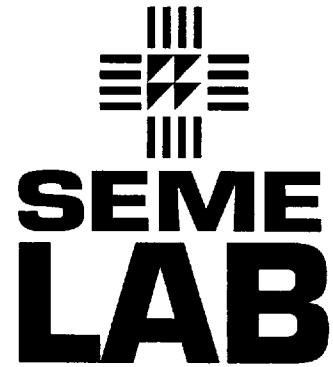
SEMELAB MANUFACTURING

Type No.	BS/CECC	Polarity	Package	V _{CEO}	I _C cont	h _{FE} @ V _{CE} & I _C			f _T	P _D
BFT37	BS-O	PNP	TO39	100	5	50-200	10	0.15	100M	1*
BFT39	BS-O	NPN	TO39	80	1	250 typ	10	0.1	100M	0.8*
BFT40	BS-O	NPN	TO39	60	1	250 typ	10	0.1	100M	0.8*
BFT41	BS-O	NPN	TO39	50	1	250 typ	10	0.1	100M	0.8*
BFT57	BS-O	NPN	TO18	160	0.2	25 min	10	0.03	110M	0.36*
BFT58	BS-O	NPN	TO18	250	0.2	25 min	10	0.03	110M	0.36*
BFT59	BS-O	NPN	TO18	300	0.2	25 min	10	0.03	110M	0.36*
BFT60		PNP	TO39	35	1	10 min	6	0.001	60M	0.8*
BFT61		PNP	TO39	30	1	30 min	6	0.001	60M	0.8*
BFT62		PNP	TO39	20	1	30 min	6	0.001	60M	0.8*
BFT69		PNP	TO18	80	1	50 min	10	0.1	100M	0.36*
BFT70		PNP	TO18	60	1	75 min	10	0.1	100M	0.36*
BFT71		PNP	TO18	50	1	100 min	10	0.1	100M	0.36*
BFT79		PNP	TO39	80	1	50 min	10	0.1	100M	0.8*
BFT80	AS BS-O	PNP	TO39	60	1	75 min	10	0.1	100M	0.8*
BFT81	New BS-O	PNP	TO39	50	1	100 min	10	0.1	100M	0.8*
BFX11	New AS	PNP	TO77 Dual	45	0.5	90 min	5	0.001	130M	0.5*
BFX34	50004-025	NPN	TO39	60	5	40 min	2	2	70M	5
BFX36		PNP	TO77 Dual	60	0.05	100 min	5	0.001	40M	0.6*
BFX67	New AS	NPN	TO72	60	0.3	7000 min	10	0.1	—	0.5*
BFX79		NPN/PNP	TO77 Dual	60	0.6	60 min	5	0.15	60M	0.6*
BFX80	New AS	NPN/PNP	TO77 Dual	60	0.2	160 min	5	0.01	40M	0.5*
BFX81		NPN/PNP	TO77 Dual	20	0.2	25 min	1	0.1	350M	0.5*
BFX84	New AS	NPN	TO39	60	1	20 min	10	0.01	50M	0.8*
BFX85		NPN	TO39	60	1	50 min	10	0.01	50M	0.8*
BFX86		NPN	TO39	35	1	50 min	10	0.01	50M	0.8*
BFY50	CV-O, BS-O	NPN	TO39	80	1	65 min	5	0.01	60M	0.8*
BFY51	CV-O, BS-O	NPN	TO39	30	1	45 min	5	0.01	60M	0.8*
BFY52	CV-O, BS-O	NPN	TO39	20	1	65 min	5	0.01	60M	0.8*
BFY81	AS	NPN	TO77 Dual	45	0.05	150 min	5	0.01	60M	0.5*
BFY82		NPN	TO77 Dual	45	0.1	50 min	5	0.01	250M	0.5*
BFY84		NPN	TO77 Dual	12	0.2	20 min	1	0.03	600M	0.38*
BLX40		PNP	TO39	80	2	30-120	10	1	20M	13
BLX48		PNP	TO39	100	5	30-120	10	2	20M	18
BLY11		PNP	TO39	100	2	30-120	10	1	20M	13
BSS44	50004-037	PNP	TO39	60	5	45 typ	1	5	70M	5
BSV64	50004-025	NPN	TO39	60	5	40 min	2	2	70M	5
BSW66A	50004-040	NPN	TO39	100	2	30 min	5	0.5	130M	5
BSW67A	50004-040	NPN	TO39	120	2	30 min	5	0.5	130M	5

IN & NBS
SMLB
TR56
050084

P_D (power dissipation) at 25°C case -- except * where at 25°C ambient

HERMETIC SURFACE MOUNT DISCRETE SEMICONDUCTORS



DUEL CERAMIC HERMETICALLY SEALED SURFACE MOUNT DEVICES

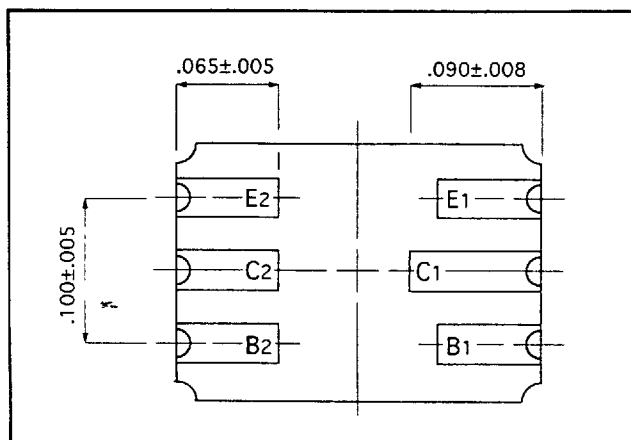
2N2060DCSM	2N3347DCSM
2N2221ADCSM	2N3348DCSM
2N2221DCSM	2N3349DCSM
2N2222ADCSM	2N3350DCSM
2N2222DCSM	2N3351DCSM
2N2369ADCSM	2N3352DCSM
2N2453DCSM	2N3410DCSM
2N2639DCSM	2N3680DCSM
2N2640DCSM	2N3807DCSM
2N2641DCSM	2N3808DCSM
2N2642DCSM	2N3809DCSM
2N2643DCSM	2N3810DCSM
2N2644DCSM	2N3811ADCSM
2N2894DCSM	2N3811DCSM
2N2906ADCSM	2N3904DCSM
2N2907ADCSM	2N4937DCSM
2N2913DCSM	2N4938DCSM
2N2914DCSM	BFX80DCSM
2N2915DCSM	BFX81DCSM
2N2916DCSM	BFY81DCSM
2N2917DCSM	BFY82DCSM
2N2918DCSM	BFY84DCSM
2N2919DCSM	
2N2920DCSM	
2N2979DCSM	
2N3209DCSM	
2N3250DCSM	

In order to provide transistors and diodes with excellent tracking with temperature and excellent matching under all conditions, SEMELAB offers a duel die ceramic range.

Like the smaller single die SOT23 CSM device, this variant is intended for high reliability applications from use in space vehicles through to application in harsh environments where the plastic version is regarded as inadequate.

Devices are available to customers own specification and with release in accordance with SEMELAB's AQAP1 approval. CECC approved devices will be available in 1993.

Information on this line and other High Reliability products is available from SEMELAB or any any of our Agents.



SEMELAB plc

Coventry Road, Lutterworth,
Leicestershire. LE17 4JB
ENGLAND

Tel: 44 (0) 455 556565
Fax: 44 (0) 455 552612
Telex: 341927