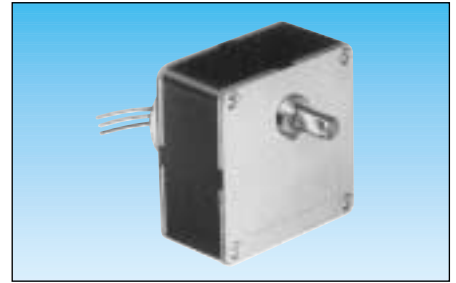


Single direction synchronous geared motors

- Constant speed, dependent on supply frequency
- Speeds from 0.24 rpm to 24 rpm
- Direction of rotation controlled by long-life mechanical anti-return (> 10⁶ starts)
- Permanent magnet rotor
- UL, CSA, VDE approved, comply with IEC standards.



Applications

- Office equipment
- Medical equipment
- Motorised displays
- Moving light displays
- Pumps

Made to order products, non stocked

- Motor :**
- other voltages/frequencies
 - lead length

- Gearbox :**
- other output speeds
 - special shaft
 - ball bearing
 - special lubrication

Type

| | | |
|--|----------|----------|
| | 80 337 5 | 80 337 5 |
|--|----------|----------|

Voltage and frequency

| | | |
|--|-------------|-------------|
| | 230 V 50 Hz | 230 V 50 Hz |
|--|-------------|-------------|

Direction of rotation

| | | |
|--|----------------|-----------|
| | Anti-clockwise | Clockwise |
|--|----------------|-----------|

Output speeds (rpm)

Ratios (i)

Part numbers

| |
|-------|
| 24 |
| 14.40 |
| 9.60 |
| 7.20 |
| 4.80 |
| 2.40 |
| 1.20 |
| 0.80 |
| 0.24 |

| |
|-------|
| 25 |
| 41.66 |
| 62.5 |
| 83.33 |
| 125 |
| 250 |
| 500 |
| 750 |
| 2500 |

| | |
|------------|------------|
| 80 337 506 | 80 337 507 |
| 80 337 509 | 80 337 508 |
| • | • |
| • | • |
| 80 337 514 | 80 337 515 |
| 80 337 516 | 80 337 517 |
| 80 337 519 | 80 337 518 |
| • | • |
| 80 337 523 | 80 337 522 |

Standard gearbox shaft: see dimensions

General characteristics

| | | | |
|--|-----|----------|----------|
| Motor | | 82 330 5 | 82 330 5 |
| Gearbox | | 81 037 0 | 81 037 0 |
| Maximum permitted continuous rated gearbox output torque for 1 million gearbox revolutions | N.m | 5 | 5 |
| Radial load (static) | daN | 2 | 2 |
| Axial load (static) | daN | 3 | 3 |
| Absorbed power | W | 3.5 | 3.5 |
| Usable motor power | W | 0.42 | 0.42 |
| Maximum temperature rise | °C | 55 | 55 |
| Ambient temperature | °C | -5 +60 | -5+60 |
| Weight | g | 480 | 480 |
| Lead length (approx..) | mm | 250 | 250 |
| Protection | | IP40 | IP40 |

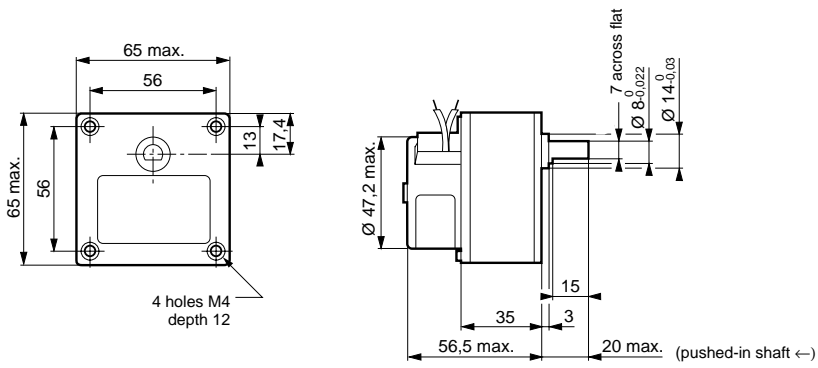
Options : for made to order products non stocked

| | | | |
|--|-----------------|---|---|
| Voltages / Frequencies | 24-115 V 60 Hz | • | • |
| | 24 V 50 Hz | • | • |
| | 24-48 V 50 Hz | • | • |
| | 115-230 V 50 Hz | • | • |
| 8Ø round shaft 79 206 478 (see page 2/21) | | • | • |
| For version with no anti-return (SAR version) see page 2/6 | | • | • |

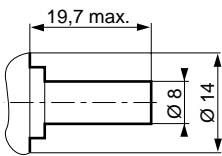
Other information

For basic principles, see page 2/6

Dimensions
80 337 5



Shaft 79 206 478
(pushed-in shaft ←)



To order, specify :

| | |
|--|---|
| Standard products | 4 Part number Example : Synchronous geared motor - 80 337 506 |
| Standard products, non stocked | 1 Type 2 Voltage / frequency 3 Direction of rotation 4 Output speed 5 Option Example : Synchronous geared motor 80 337 5 - 115 V 50 Hz - Clockwise - 24 rpm |
| ● Products available to order, please consult us | |