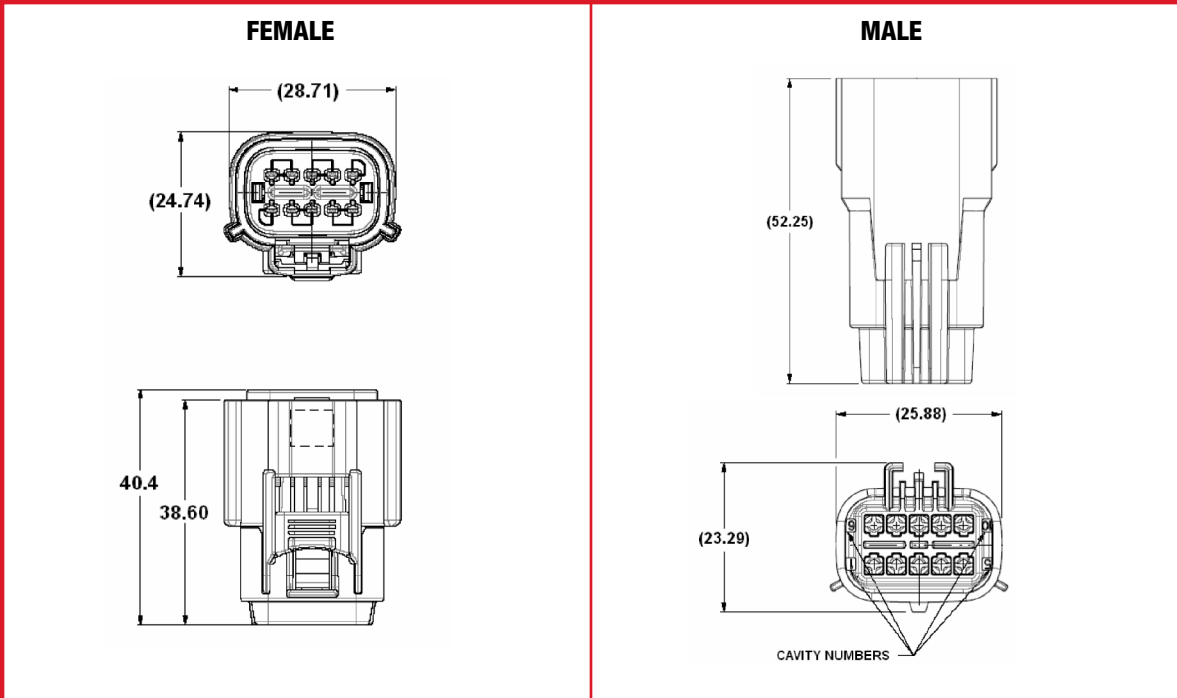




FCI 10 Way APEX 150 Connection System



INDEX TYPE	HOUSING COLOR	PLUGGED SEAL POSITIONS (X)										FEMALE ASSEMBLY PART NUMBER	MALE ASSEMBLY PART NUMBER (SLOT 1)	MALE ASSEMBLY PART NUMBER (SLOT 2)
		1	2	3	4	5	6	7	8	9	10			
A	BLACK											54241030	54241000	54241004
B	GREY											54241031	54241001	54241005
C	BROWN											54241032	54241002	54241006
D	GREEN											54241033	54241003	54241007
A	BLACK					X						54241034	54241008	54241010
B	GREY					X						54241035	54241009	54241011
A	BLACK					X	X					54241036	54241012	54241014
B	GREY					X	X					54241037	54241013	54241015

NOTE 1: Assembly part numbers also available without CPA. See sale drawing for part numbers
 NOTE 2: See Page 8 for explanation of clip slot type 1 and clip slot type 2.
 Additional plugged cavity configurations are available upon request.