

PLEASE CHECK WWW.MOLEX.COM FOR LATEST PART INFORMATION

Part Number: [0357110810](#)
Status: **Active**
Description: 2.79mm (.110") Slip-On Receptacle Terminal, Quick Disconnect, 0.50mm (.020") Tab Thickness, Wire Range 20-22 AWG (0.52-0.33mm²), Post-Tin Plated

Documents:

[Drawing \(PDF\)](#) [Product Specification PS-68428-001 \(PDF\)](#)
[Product Specification PS-35544-001 \(PDF\)](#) [RoHS Certificate of Compliance \(PDF\)](#)
[Product Specification PS-35702-001 \(PDF\)](#)

Agency Certification

CSA LR95446
 UL E92853

General

Product Family Quick Disconnects
 Series [35711](#)
 Crimp Quality Equipment Yes
 Product Name Slip-On
 Type Quick Disconnect

Physical

Barrel Type Open
 Gender Female
 Glow-Wire Compliant No
 Insulation None
 Lock to Mating Part None
 Material - Metal Brass
 Material - Plating Mating Tin
 Material - Plating Termination Tin
 Orientation Straight
 Packaging Type Reel
 Plating min: Mating (µin) 40
 Plating min: Mating (µm) 1
 Plating min: Termination (µin) 40
 Plating min: Termination (µm) 1
 Polarized to Mating Part No
 Tab Thickness 0.51mm (.020")
 Tab Width 2.79mm (.110")
 Temperature Range - Operating -40°C to +120°C
 Termination Interface: Style Crimp or Compression
 Wire Insulation Diameter 1.50-2.00mm (.059-.079") max.
 Wire Size AWG 20, 22
 Wire Size mm² 0.33 - 0.52

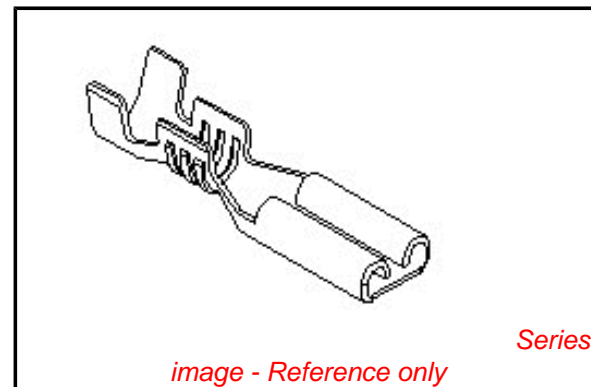
Electrical

Voltage - Maximum Per Wire Specification

Material Info

Reference - Drawing Numbers

Product Specification PS-35544-001, PS-35702-001, PS-68428-001
 Sales Drawing SD-35711-08*0



EU RoHS

ELV and RoHS Compliant
REACH SVHC Contains SVHC: No
Halogen-Free Status

China RoHS



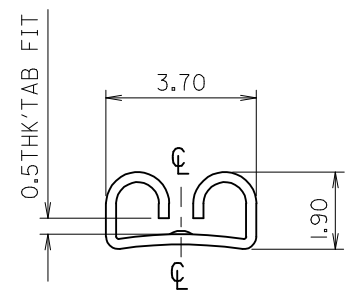
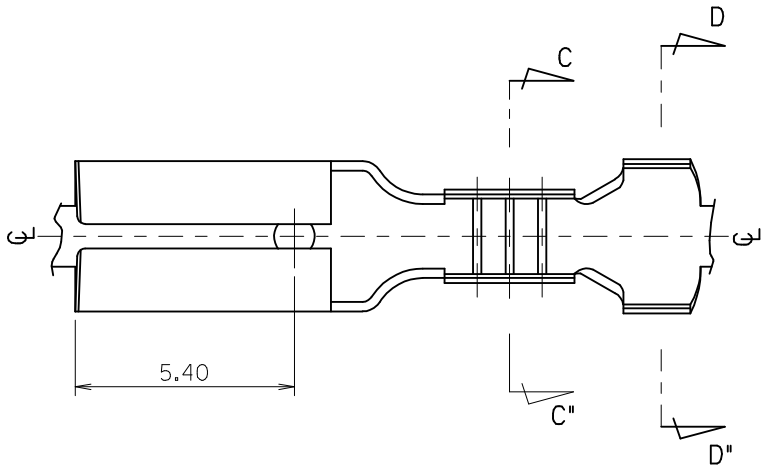
Need more information on product environmental compliance?

Email productcompliance@molex.com
 For a multiple part number RoHS Certificate of Compliance, [click here](#)

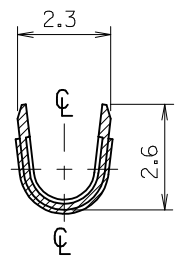
Please visit the [Contact Us](#) section for any non-product compliance questions.

Search Parts in this Series
[35711Series](#)

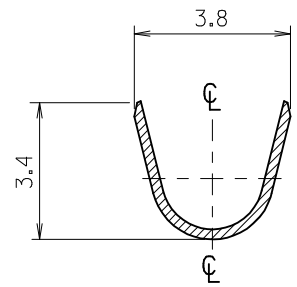
PLEASE CHECK WWW.MOLEX.COM FOR LATEST PART INFORMATION



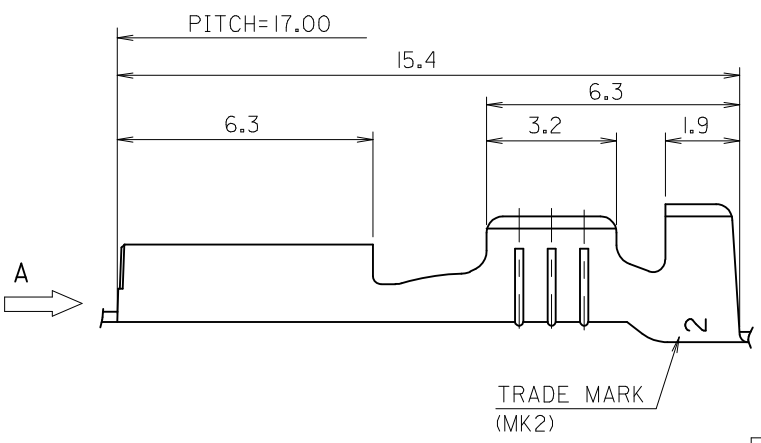
VIEW "A"



SECTION:C-C''



SECTION:D-D''



- NOTES.
1. MATERIAL : BRASS
 2. FINISH : 35711-0800 : UNPLATED
35711-0810 : ©PRE-TIN PLATED
0.8~1.8 μm TIN PLATING
OVERALL 0.3~0.8μm COPPER PLATING
 3. PRODUCT SPECIFICATION : PS-35544-001
PS-35702-001
PS-68428-001
 4. MATES WITH : 0.5t TAB
 5. APPLICABLE WIRE RANGE : AWG #22~#20

REVISED EC NO: KOR2009-0111 DRWN: JHPARK01 2009/01/30 CHKD: WYANG 2009/01/30 APPR: YUNSIKKIM 2009/01/30	DESCRIPTION TRADE MARK (MK2)	QUALITY SYMBOLS	GENERAL TOLERANCES (UNLESS SPECIFIED)		DIMENSION STYLE		SCALE	DESIGN UNITS	THIRD ANGLE PROJECTION			
		▼=0 ▽=0	mm	INCH	MM ONLY	8:1	METRIC	TITLE				
		4 PLACES ± --- ± --- 3 PLACES ± --- ± --- 2 PLACES ± --- ± --- 1 PLACE ± 0.30 ± ---						.110 SLIP-ON RECEPTACLE				
		ANGULAR ± --- °						MOLEX INCORPORATED				
		DRAFT WHERE APPLICABLE MUST REMAIN WITHIN DIMENSIONS			SEE NOTE		DOCUMENT NO.		SHEET NO.			
					SIZE A3		SD-35711-08*0		1 OF 01			
THIS DRAWING CONTAINS INFORMATION THAT IS PROPRIETARY TO MOLEX INCORPORATED AND SHOULD NOT BE USED WITHOUT WRITTEN PERMISSION												