



# T-1<sup>3</sup>/<sub>4</sub> DUAL-STACKED PCB MOUNT LEDs

Data Display Products®

Medium Profile, Variable Array

- Red, Amber, Green
- 2 to 16 LEDs per Array
- For Detailed LED Data, See Discrete Section, MODEL 190

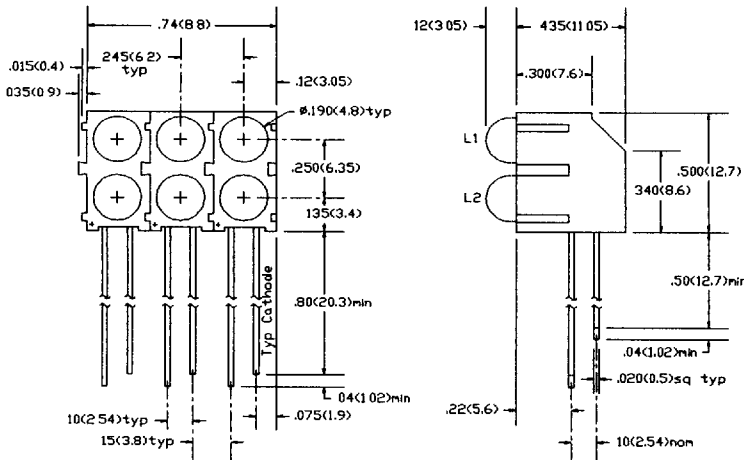
Model		LED 1[Top](Model 190)				LED 2[Bottom](Model 190)					
		Color	λpk (nm)	Iv[1] (mcd)	Description	Color	λpk (nm)	Iv[1] (mcd)	Description		
PCLT195N[2]	Horizontal Array	<b>-SR</b>	<b>RED</b>	<b>655</b>	<b>2</b>	Diffused	<b>/SR</b>	<b>RED</b>	<b>655</b>	<b>2</b>	Diffused
		<b>-LR</b>	<b>RED</b>	<b>635</b>	<b>12</b>	Diffused	<b>/LR</b>	<b>RED</b>	<b>635</b>	<b>12</b>	Diffused
		<b>-LCR</b>	<b>RED</b>	<b>635</b>	<b>34</b>	Non-Diffused	<b>/LCR</b>	<b>RED</b>	<b>635</b>	<b>34</b>	Non-Diffused
		<b>-LA</b>	<b>AMB</b>	<b>585</b>	<b>7</b>	Diffused	<b>/LA</b>	<b>AMB</b>	<b>585</b>	<b>7</b>	Diffused
		<b>-LCA</b>	<b>AMB</b>	<b>585</b>	<b>38</b>	Non-Diffused	<b>/LCA</b>	<b>AMB</b>	<b>585</b>	<b>38</b>	Non-Diffused
		<b>-LG</b>	<b>GRN</b>	<b>565</b>	<b>12</b>	Diffused	<b>/LG</b>	<b>GRN</b>	<b>565</b>	<b>12</b>	Diffused
		<b>-LCG</b>	<b>GRN</b>	<b>565</b>	<b>38</b>	Non-Diffused	<b>/LCG</b>	<b>GRN</b>	<b>565</b>	<b>38</b>	Non-Diffused

[1] Iv = typical luminous intensity @ If = 20mA(Ta = 25°C).

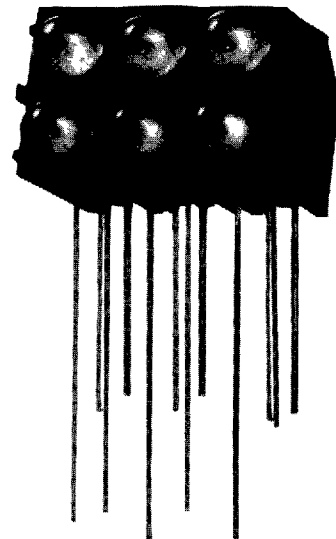
[2] Replace N with the number of LEDs in the array, 2 - 16 (e.g. PCLT1956).

**To Order:** Select one **BOLD** component from each **SHADED** column in the table except as noted.

**Example:** PCLT1953-LG/LA (Model PCLT195, 3 LED Array, L Series, Diffused GRN LEDs on top, L Series, Diffused AMB LEDs on bottom)



PCLT1953



All dimensions are in inches(mm)  
 Tolerances: .xxx"(x) ±.025"(.63) / .xxx"(xx) ±.010"(.25)  
 Specifications are subject to change without notice.