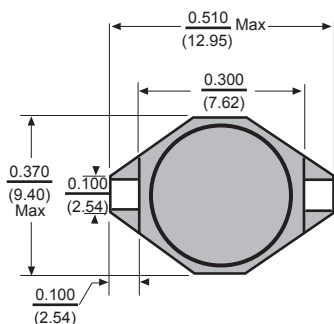
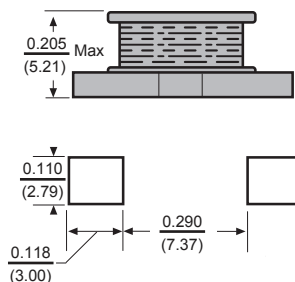


PCI40 Power Chip Inductors



Dimensions: $\frac{\text{Inches}}{\text{(mm)}}$



Features

- Compact and Low Profile
- High energy storage and low DCR
- Designed with high heat resistant materials for reflow operation
- Wrap around terminals for excellent solder quality and inspection
- Flat top for pick and place assembly
- Non standard values available

Electrical

Inductance Range: 1.0 μ h to 1000 μ h.

Tolerance: $\pm 20\%$ over the entire inductance range.

Test Frequency: Inductance measured at 100KHz, 0.1 Vrms.

Operating Temp. Range: -40° to +85°C.

Inductance Drop: 20% typical at rated Isat.

Temperature Rise: $\Delta T=15^\circ\text{C}$ rise typical at Irms.

Physical

Marking: Previously marked with 3 dot color code system

Packaging: 1,000 pieces per 13 inch reel.

Allied Part Number	Inductance (μ h)	Tolerance (%)	SRF (MHz) TYP	DCR Max. Ω	Isat (A)	Irms (A)
PCI40-1R0M-RC	1.0	20	100	.009	9.0	6.8
PCI40-1R5M-RC	1.5	20	90	.010	8.0	6.4
PCI40-2R2M-RC	2.2	20	80	.012	7.0	6.1
PCI40-3R3M-RC	3.3	20	65	.015	6.4	5.4
PCI40-4R7M-RC	4.7	20	45	.018	5.4	4.8
PCI40-6R8M-RC	6.8	20	38	.027	4.6	4.4
PCI40-100M-RC	10	20	30	.038	3.8	3.9
PCI40-150M-RC	15	20	27	.046	3.0	3.1
PCI40-220M-RC	22	20	19	.085	2.6	2.7
PCI40-330M-RC	33	20	15	0.10	2.0	2.1
PCI40-470M-RC	47	20	12	0.14	1.6	1.8
PCI40-680M-RC	68	20	10	0.20	1.4	1.5
PCI40-101M-RC	100	20	9.0	0.28	1.2	1.3
PCI40-151M-RC	150	20	6.0	0.40	1.0	1.0
PCI40-221M-RC	220	20	5.0	0.61	0.8	0.8
PCI40-331M-RC	330	20	4.5	1.02	0.6	0.6
PCI40-471M-RC	470	20	3.5	1.27	0.5	0.5
PCI40-681M-RC	680	20	2.5	2.02	0.4	0.4
PCI40-102M-RC	1000	20	2.0	3.00	0.3	0.3

All specifications subject to change without notice.