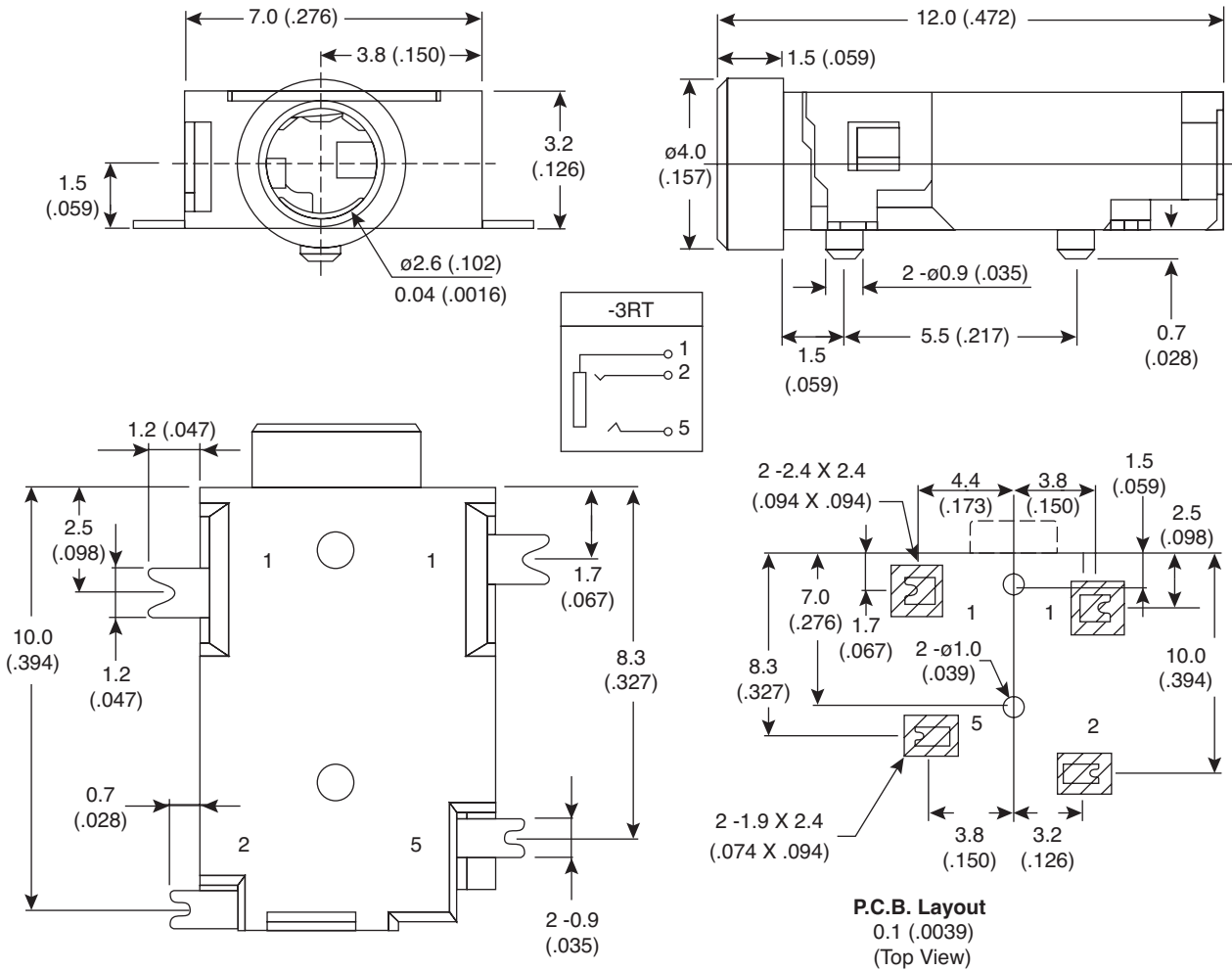


SMD Phone Jack

161-2622



SMD Phone Jack



SPECIFICATIONS

Voltage rating:	16 VDC
Current Rating:	0.3 A
Contact resistance:	50 m ohm maximum
Insulation resistance:	100 M ohm minimum
Dielectric strength:	500 VAC for 1 min.
Durability:	5000 cycles
Insertion force:	0.2Kg to 2.0Kg
Life cycle:	260°C for 5 seconds
Operating temperature:	-25°C to +85°C

Dimensions: mm (IN.)

Tolerance	
X.	±0.5
X.X	±0.3
X.XX	±0.15

MATERIALS

Contacts:	Phosphor bronze
Housing:	Nylon-46 G30% UL94V0 black
Plating:	Gold flash

Date Last Revised: 4-4-05

Available from Mouser Electronics
1-800-346-6873
www.mouser.com

KC- 300406

161-2622