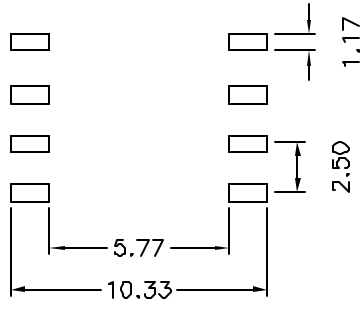
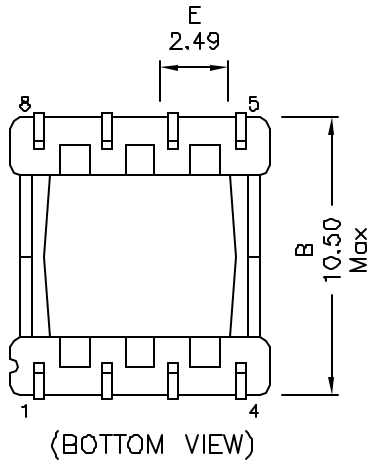
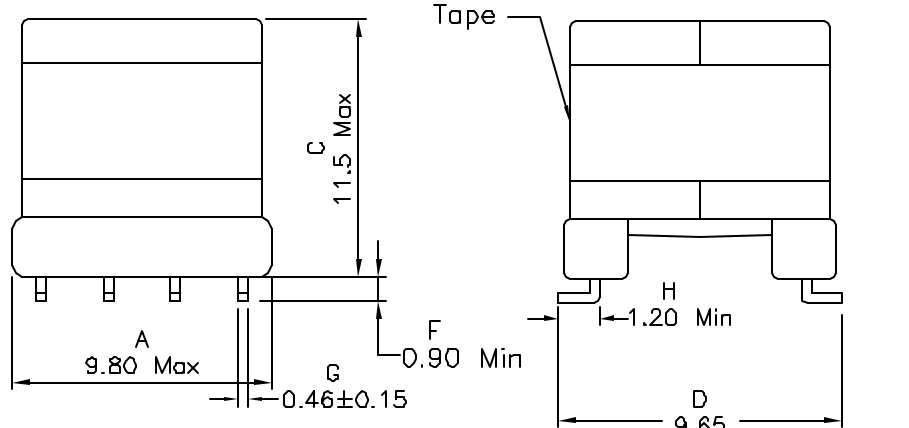
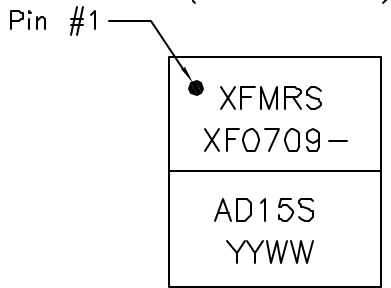


### 1. Mechanical Dimensions:

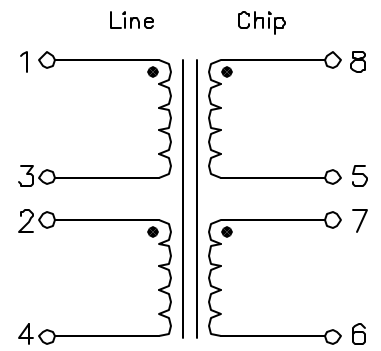


SUGGESTED PCB LAYOUT



Marking: (on Top)

### 2. Schematic:



### 3. Electrical Specifications: @25°C

- OCL: Pins 1-4 750uH±7% @10KHz 0.1V, Tie Pins 2-3
- LL: Pins 1-4 5.0uH Max @100KHz 0.1V, Tie Pins 2-3, Short Chip
- THD: -85dB Max @150KHz, 4.24Vrms, Line:Chip
- DCR: Pins 1-4 1.25 Ohms Max, Tie Pins 2-3
- DCR: Pins 8-6 5.00 Ohms Max, Tie Pins 5-7
- Turns Ratio: Pins (1-4):(8-6)=0.408:1.00±2%
- Hipot: 1500Vac 500uA Max, Pin 1 to 8, Tie 2-3 & 5-7
- Working Voltage: 250Vac

- Notes:
- Solderability: Leads shall meet MIL-STD-202C, Method 208H for solderability.
  - Flammability: UL94V-0
  - ASTM oxygen index > 28%
  - Insulation System: Class F 135°C. UL file E161886
  - Operating Temperature Range: All listed parameters are to be within tolerance from -40°C to +85°C
  - Storage Temperature Range: -55°C to +125°C
  - Aqueous wash compatible
  - SMD Lead Coplanarity: ±0.004"(0.102mm)
  - Electrical and mechanical specifications 100% tested
  - RoHS Compliant Component
  - Designed to meet UL508B0 for Basic Insulation requirements for a working voltage up to 250V.

<b>XFMR5 Inc</b> www.XFMR5.com	Title: ADSL TRANSFORMER		
	UNLESS OTHERWISE SPECIFIED TOLERANCES:	P/N: XFO709-AD15S	REV. A
.xx ±0.25	DWN.	罗振江	Feb-16-06
Dimensions in MM	CHK.	廖玉坤	Feb-16-06
SHEET 1 OF 1	APP.	MS	Feb-16-06

DOC. REV: B/4