

PLEASE CHECK WWW.MOLEX.COM FOR LATEST PART INFORMATION

Part Number: [0528081970](#)
Status: **Active**
Overview:
Description: 1.00mm (.039") Pitch FFC/FPC Connector, SMT, Vertical, Non-ZIF Receptacle, 19 Circuits, Lead-free

Agency Certification

UL E29179

General

Product Family FFC/FPC Connectors
 Series 52808
 Overview ffc_fpc_smt
 Product Name N/A

Physical

Circuits (Loaded) 19
 Circuits (maximum) 19
 Color - Resin Natural
 Contact Position N/A
 Durability (mating cycles max) 10
 Entry Angle N/A
 Flammability 94V-0
 Mated Height (in) 0.199 In
 Mated Height (mm) 5.05 mm
 Material - Metal Phosphor Bronze
 Material - Plating Mating Tin-Bismuth
 Material - Plating Termination Tin-Bismuth
 Material - Resin High Temperature Thermoplastic
 Number of Rows 1
 Orientation Vertical
 PCB Locator No
 PCB Retention None
 Packaging Type Embossed Tape on Reel
 Pitch - Mating Interface (in) 0.039 In
 Pitch - Mating Interface (mm) 1.00 mm
 Pitch - Term. Interface (in) 0.039 In
 Pitch - Term. Interface (mm) 1.00 mm
 Plating min: Mating (µin) 40
 Plating min: Mating (µm) 1
 Plating min: Termination (µin) 40
 Plating min: Termination (µm) 1
 Polarized to PCB No
 Stackable No
 Surface Mount Compatible (SMC) Yes
 Temperature Range - Operating -20°C to +80°C
 Termination Interface: Style Surface Mount
 Wire/Cable Type FFC/FPC

Electrical

Current - Maximum per Contact 0.5A
 Voltage - Maximum 125V AC (RMS)/DC

Material Info

Reference - Drawing Numbers

Packaging Specification SPK-52808-001

EU RoHS
ELV and RoHS
Compliant
REACH SVHC
Contains SVHC: No
Halogen-Free
Status
Not Reviewed

China RoHS



Need more information on product environmental compliance?

Email productcompliance@molex.com
 For a multiple part number RoHS Certificate of Compliance, [click here](#)

Please visit the [Contact Us](#) section for any non-product compliance questions.

Search Parts in this Series
[52808Series](#)

Product Specification

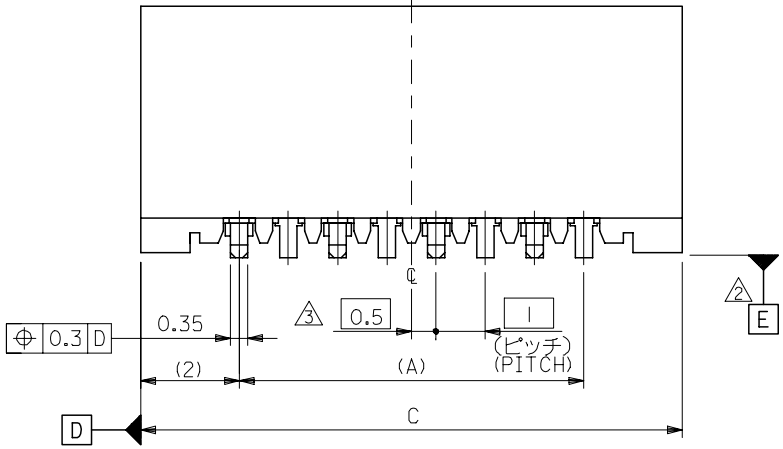
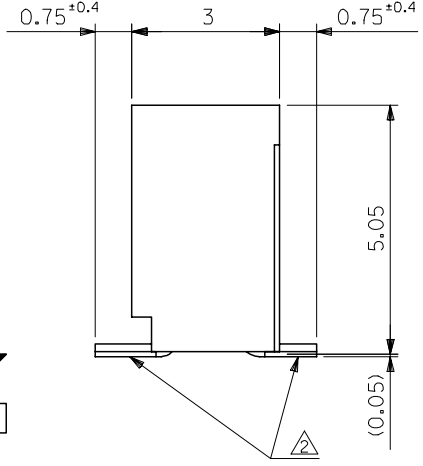
Sales Drawing

PS-52808-004, RPS-52808-039, RPS-52808-044,
RPS-52808-045, RPS-52808-047, RPS-52808-048,
RPS-52808-049
SD-52808-027, SD-52808-028

This document was generated on 06/05/2010

PLEASE CHECK WWW.MOLEX.COM FOR LATEST PART INFORMATION

10 9 8 7 6 5 4 3 2 1



33	31.05	29	52808-3019	30
32	30.05	28	-2919	29
31	29.05	27	-2819	28
30	28.05	26	-2719	27
29	27.05	25	-2619	26
28	26.05	24	-2519	25
27	25.05	23	-2419	24
26	24.05	22	-2319	23
25	23.05	21	-2219	22
24	22.05	20	-2119	21
23	21.05	19	-2019	20
22	20.05	18	-1919	19
21	19.05	17	-1819	18
20	18.05	16	-1719	17
19	17.05	15	-1619	16
18	16.05	14	-1519	15
17	15.05	13	-1419	14
16	14.05	12	-1319	13
15	13.05	11	-1219	12
14	12.05	10	-1119	11
13	11.05	9	-1019	10
12	10.05	8	-0919	9
11	9.05	7	-0819	8
10	8.05	6	-0719	7
9	7.05	5	-0619	6
8	6.05	4	-0519	5
7	5.05	3	52808-0419	4

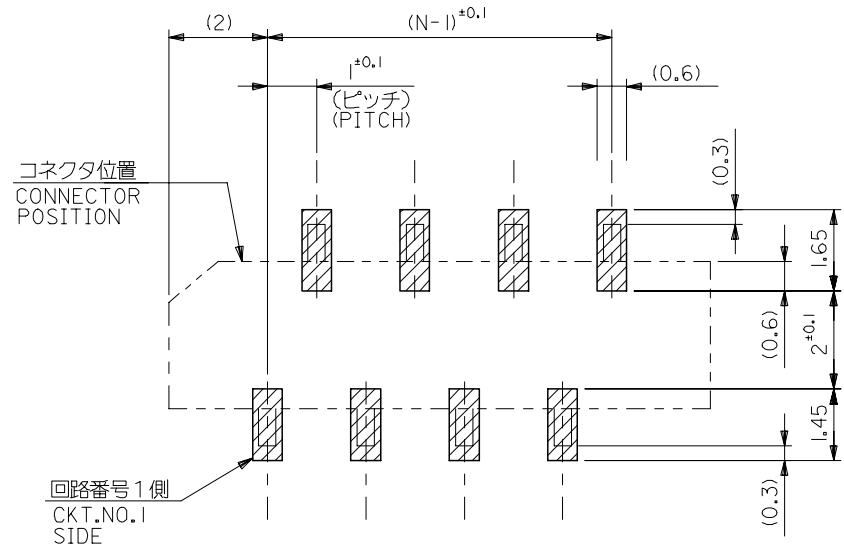
注記 NOTES:

- 使用材料 MATERIAL
 ハウジング: PPS, UL94V-0 HOUSING : PPS, UL94V-0
 ターミナル: リン青銅 (± 0.25) TERMINAL : PHOSPHOR BRONZE
 メッキ: ニッケル下地鍍ビスマスメッキ PLATING : TIN-BISMUTH OVER NICKEL
- 基準面 [E] からのソルダーテールの半田付け面のズレ量は、
 上方向に0.1 MAX. 下方向0.15 MAX. とする。
 MISALIGNMENT OF SOLDER TAIL FROM [E]
 : UPPER DIRECTION 0.1 MAX. , LOWER DIRECTION 0.15 MAX.
- 偶数極に適用。
 APPLY FOR EVEN CKT.
- 本製品は52808-**-10の鉛フリー品である。
 THIS PRODUCT IS LEAD FREE OF 52808-**-10

REVISED EC NO: J2006-1497 DRW: NABE1 2005/11/04 CHK: KYOYODA 2005/11/07 APP: NUKITA 2005/11/11	GENERAL TOLERANCES (UNLESS SPECIFIED)		DIMENSION STYLE MM ONLY		SCALE ---	DESIGN UNITS METRIC	THIRD ANGLE PROJECTION
	10 UNDER	± 0.2	DRAWN BY M. NABE1	DATE '04/02/19	TITLE 1.0 FFC CONN. NON ZIF SMT. ST. -LEAD FREE-		
	10 OVER 30 UNDER	± 0.25	CHECKED BY M. SASAO	DATE '04/02/19	MATERIAL NO. 52808-**-19		
	30 OVER	± 0.3	APPROVED BY M. SASAO	DATE '04/02/19	DOCUMENT NO. SD-52808-027		
ANGULAR $\pm 3^\circ$		DRAFT WHERE APPLICABLE MUST REMAIN WITHIN DIMENSIONS		SIZE A3		SHEET NO. 1 OF 1	
THIS DRAWING CONTAINS INFORMATION THAT IS PROPRIETARY TO MOLEX INCORPORATED AND SHOULD NOT BE USED WITHOUT WRITTEN PERMISSION							



(仕上がり厚さ) 0.3 ± 0.03
THICKNESS
適合FPC推奨寸法
APPLICABLE FPC
RECOMMENDED DIMENSION.



参考基板レイアウト (マウント面)
RECOMMENDED P.C.BOARD
PATTERN DIMENSION. (REF.)
(MOUNTING AREA)

FPCについて:

- 打抜き方向は、導体側から補強板側を推奨いたします。
- 補強フィルム材質は、ポリイミドを推奨いたします。
- 接着剤は、熱硬化接着剤を推奨いたします。

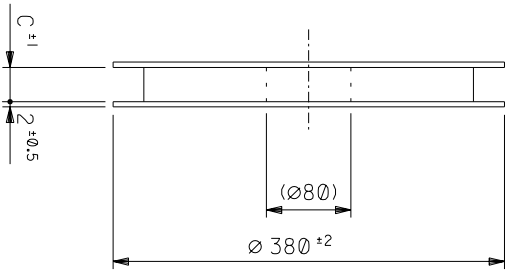
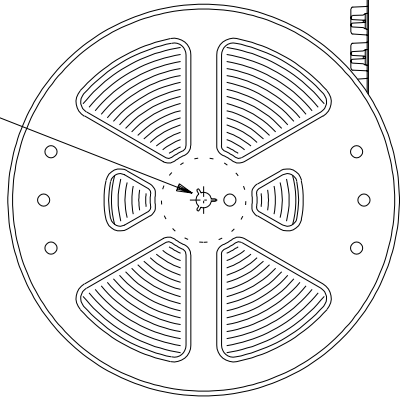
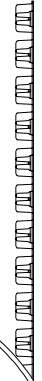
ABOUT FPC:

RECOMMENDED PUNCHER DIRECTION: FROM CONDUCTOR SIDE TO STIFFENER BOARD SIDE.

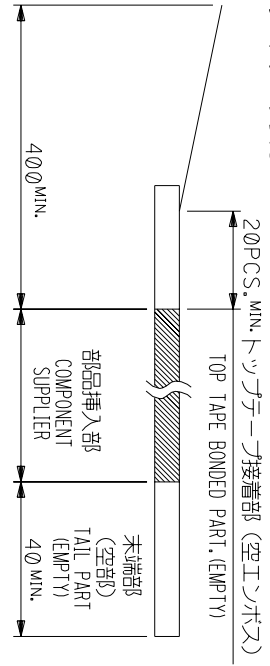
RECOMMENDED MATERIAL:
STIFFENER FILM: POLYIMIDE
BONDING AGENT: THERMOSETTING BONDING AGENT

REVISED EC NO: J2006-1497 DRW: NABEI 2005/11/04 CHK: KATOYODA 2005/11/07 APPR: NUKITA 2005/11/11 A	GENERAL TOLERANCES (UNLESS SPECIFIED)		DIMENSION STYLE MM ONLY		SCALE ---	DESIGN UNITS METRIC	THIRD ANGLE PROJECTION	
	10 UNDER	±0.2	DRAWN BY M. NABEI	DATE '04/02/19	TITLE 1.0 FFC CONN. NON ZIF SMT. ST. -LEAD FREE-			
	10 ⁰ OVER 30 UNDER	±0.25	CHECKED BY M. SASAO	DATE '04/02/19	MOLEX INCORPORATED			
	30 OVER	±0.3	APPROVED BY M. SASAO	DATE '04/02/19	DOCUMENT NO. SD-52808-027		SHEET NO. 2 OF 2	
	ANGULAR	±3 °	MATERIAL NO. SEE CHART					
DRAFT WHERE APPLICABLE MUST REMAIN WITHIN DIMENSIONS		SIZE A3		THIS DRAWING CONTAINS INFORMATION THAT IS PROPRIETARY TO MOLEX INCORPORATED AND SHOULD NOT BE USED WITHOUT WRITTEN PERMISSION				

引き出し方向
PULL OUT



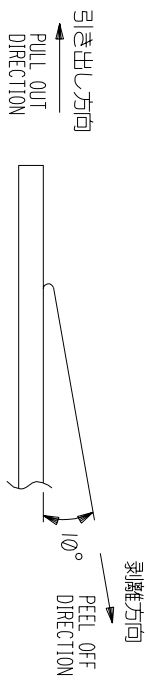
引き出し方向
PULL OUT DIRECTION



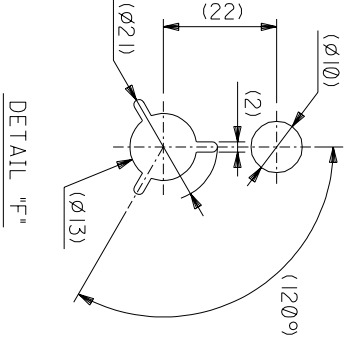
NOTES

- 製品詳細寸法については図面 SD-52808-027 を参照下さい。
RE DETAILED DIMENSION, SEE SD-52808-027
- 梱包数量：1000個/リール
NUMBER OF CONNECTORS : 1000PCS/REEL
- リールテープ長さ LEAD TAPE LENGTH
20PCS. MIN. リールテープ接着部 (空エンプス)

4. トッパテープの剥離強度： 0.1 ~ 1.3N (10 ~ 130gf)
(剥離方向は下図参照)
尚、本規格値は出荷時に適用。(但し、輸送時に剥離が発生しないこと。)
PEELING OFF FORCE OF TOP TAPE : 0.1 ~ 1.3N (10 ~ 130gf)
(PEELING DIRECTION AS SHOWN IN FOLLOWING FIG.)
THIS REQUIREMENT SHOULD BE APPLIED AT SHIPMENT.
PEEL OFF SHOULD NOT BE ALLOWED, DURING TRANSPORTATION.



- 材料(MATERIAL)
キャリアテープ(CARRIER TAPE)：ポリプロピレン(POLYPROPYLENE)
トッパテープ(TOPTAPE)：PET, PE, PEF
リール(REE)：ポリスチレン(PS) <リサイクル材を含む>
POLYSTYRENE(PS) RECYCLE MATERIAL CONTAINED>
- 本製品は52808-**-90の鉛フリー品である。
THIS PRODUCT IS LEAD FREE OF 52808-**-90



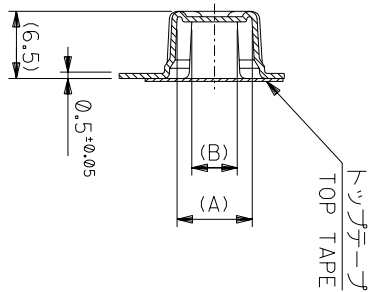
DETAIL "F"

角度	ANGLE	±3°
30以上	30 OVER	±0.3
10以下	10 UNDER	±0.25
10未満	10 UNDER	±0.2
GENERAL TOLERANCES		

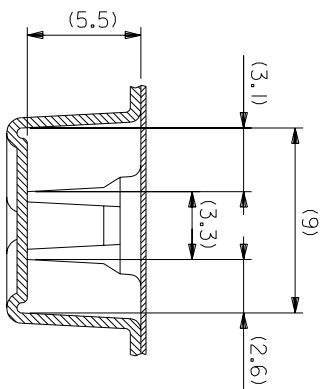
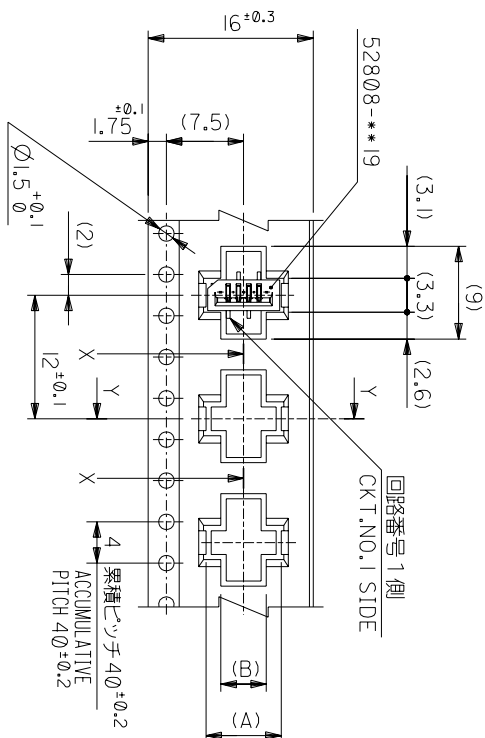
記号	0	新規作成 RELEASED	変更内容 REVISION RECORD	DR-CHK.	日付 DATE	材料 MATERIAL	注記参照 SEE NOTES	仕上げ FINISH	適用電線範囲 WIRE RANGE	検査外径 INS. RANGE	DRAWN BY: M/02/19 APP'D BY: M/02/19 M.NABEI	CHK'D BY: M/02/19 SCALE: M.SASAO	REVISE ONLY ON CAD SYSTEM	TITLE 名称 I.O FFC Conn NON ZIF SMT ST Embstd PKG -LEAD FREE-	DWG. NO. SD-52808-028	(SHEET 1 OF 6) REV 0
----	---	------------------	-------------------------	---------	------------	----------------	-------------------	---------------	----------------------	--------------------	---	-------------------------------------	---------------------------	--	--------------------------	-------------------------

52808-**-70
MODEL NO.

THIS DRAWING CONTAINS INFORMATION THAT IS PROPRIETARY TO MOLEX/JAPAN AND SHOULD NOT BE USED WITHOUT WRITTEN PERMISSION
本図面は日本モリス(株)の所有する権利を有するため、当社の許可なく複製を禁止する。



SECT:Y-Y



16mm幅キャリアテープ
16mm WIDTH CARRIER TAPE

角度 ANGLE	±3°
30以上	±0.2
10以下	±0.25
10 UNDER	±0.2
30 UNDER	±0.2

記号 LTR	0	新規作成 (2004-2528)
REVISION RECORD		
DR-CHK.	MAN/M.S	DATE

MODEL NO. 52808-**-70

CARRIER TAPE WIDTH 16

C (B)

(A) MATERIAL NO. 52808-0570

材料 MATERIAL SHEET 1 OF 6 参照 REFER TO SHEET 1 OF 6

仕上げ FINISH #

適用電線範囲 適用電線範囲 #

積層外径 INS. RANGE #

DRAWN BY 04/02/19 CHK'D BY 04/02/19

APP'D BY 04/02/19 M.SASAO 尺度 SCALE #

REVISE ONLY ON CAD SYSTEM

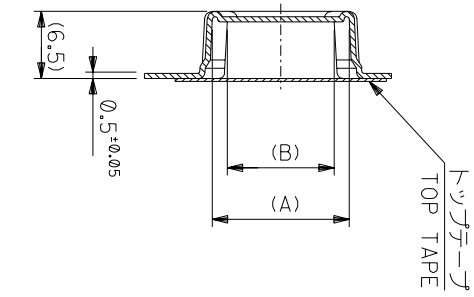
TITLE 名称

1.0 FCC CONN NON ZIF

SMT ST EmbsTD PKG

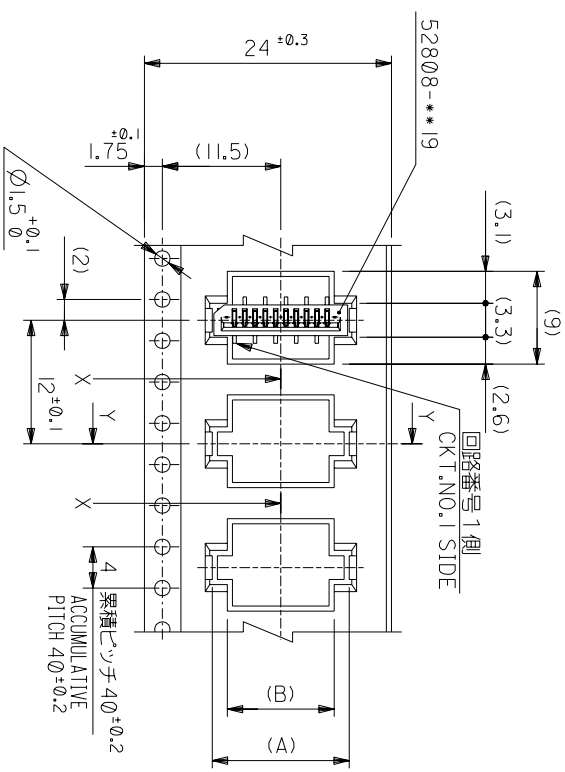
-LEAD FREE-

THIS DRAWING CONTAINS INFORMATION THAT IS PROPRIETARY TO MOLEX(JAPAN) AND SHOULD NOT BE USED WITHOUT WRITTEN PERMISSION
本図面は日本モリス(株)の所有する情報を含むもので 当社の許可なく複製を禁止する。

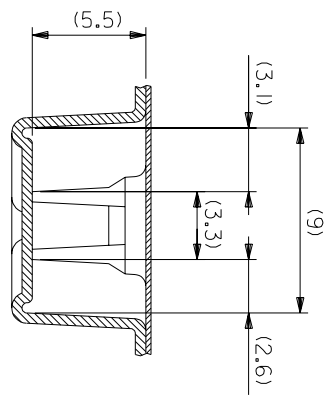


SECT:Y-Y

24mm幅キヤリヤテープ
24mm WIDTH CARRIER TAPE



引き出し方向
PULL OUT DIRECTION



SECT:X-X
(SCALE:4-1)

MODEL NO.	52808-**70	キヤリヤテープ幅 CARRIER TAPE WIDTH	C	(B)	(A)	種数 CKT.
	24	25.5	10.4	13.3	52808-1070	10
			9.4	12.3	52808-0970	9
			8.4	11.3	52808-0870	8
			7.4	10.3	52808-0770	7
			6.4	9.3	52808-0670	6

材料 MATERIAL SHEET 10F 6 参照
REFER TO SHEET 10F 6

仕上げ FINISH #

適用電線範囲 WIRE RANGE #

標準外径 INS. RANGE #

DRAWN BY 04/02/19 CHK'D BY 04/02/19
M.NABEI M.SASAO

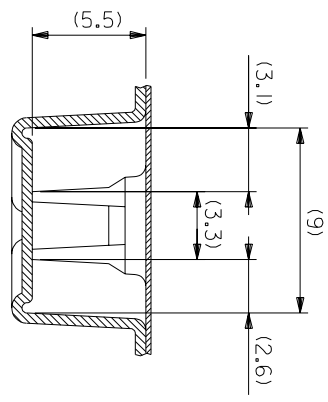
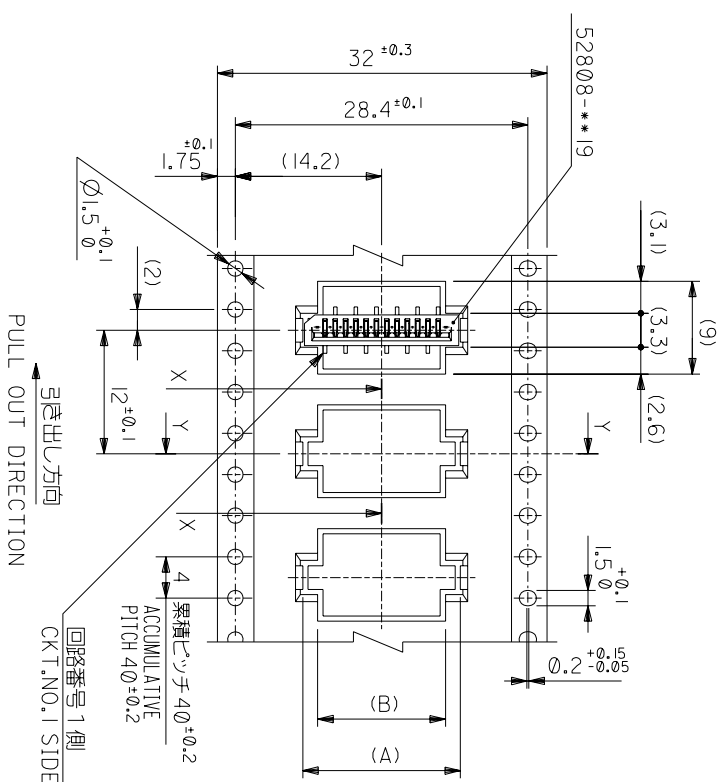
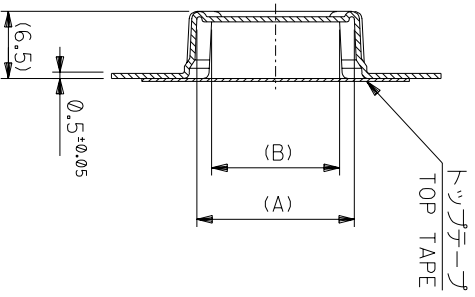
尺度 SCALE #

DWG. NO. SD-52808-028 (SHEET 3 OF 6) REV 0

角度 ANGLE	±3°
30以上 30以下	±0.2
10以上 30以下	±0.25
10以下	±0.2

記号 LTR	0	新規作成 (2004-2528)	DR-CHK.	DATE
変更内容 REVISION RECORD				

THIS DRAWING CONTAINS INFORMATION THAT IS PROPRIETARY TO MOLEX(JAPAN) AND SHOULD NOT BE USED WITHOUT WRITTEN PERMISSION
本図面は日本モリス(株)の所有する権利を有するもので 当社の許可なく複製を禁止する。



32mm幅キヤリアテープ
32mm WIDTH CARRIER TAPE

MODEL NO.	52808-**-70	キヤリアテープ幅 CARRIER TAPE WIDTH	C	(B)	(A)	MATERIAL NO.	種数 CKT.
	32						
	33.5						
	15.4		15.4	18.3		52808-1570	15
	14.4		14.4	17.3		52808-1470	14
	13.4		13.4	16.3		52808-1370	13
	12.4		12.4	15.3		52808-1270	12
	11.4		11.4	14.3		52808-1170	11

材料 MATERIAL SHEET 1 OF 6 参照
REFER TO SHEET 1 OF 6

仕上げ FINISH #

適用電線範囲 適用電線範囲 #

標準外径 標準外径 #

INS. RANGE INS. RANGE #

DRAWN BY 04/02/19 CHK'D BY 04/02/19
M.NABEI M.NABEI
APP'D BY 04/02/19 尺 度 M.SASAO
M.SASAO SCALE #

REVISE ONLY ON CAD SYSTEM

角度 ANGLE	$\leq 3^\circ$
30 以上	$\leq 3^\circ$
10 以上	$\leq 3^\circ$
10 未満	$\leq 3^\circ$
30 未満	$\leq 3^\circ$
10 未満	$\leq 3^\circ$
一般公差	± 0.2

記号	0	新規作成 (12004-2528)	DR	MAN	04/02/19
TR		変更内容	CHK.	M.S	04/02/19
REVISION RECORD					

THIS DRAWING CONTAINS INFORMATION THAT IS PROPRIETARY TO MOLEX/JAPAN AND SHOULD NOT BE USED WITHOUT WRITTEN PERMISSION
本図面は日本モリス(株)の所有する情報を含むもので 当社の許可なく複製を禁止する。

角 度 30 以上 10 以上 10 未満 30 未満 10 未満 一般公差

記号 TR 記号 0 新規作成 (12004-2528) 変更内容 DR MAN 04/02/19 CHK. M.S 04/02/19

REVISION RECORD

材料 MATERIAL SHEET 1 OF 6 参照 REFER TO SHEET 1 OF 6

仕上げ FINISH #

適用電線範囲 適用電線範囲 #

標準外径 標準外径 #

INS. RANGE INS. RANGE #

DRAWN BY 04/02/19 CHK'D BY 04/02/19 M.NABEI M.NABEI APP'D BY 04/02/19 尺 度 M.SASAO M.SASAO SCALE #

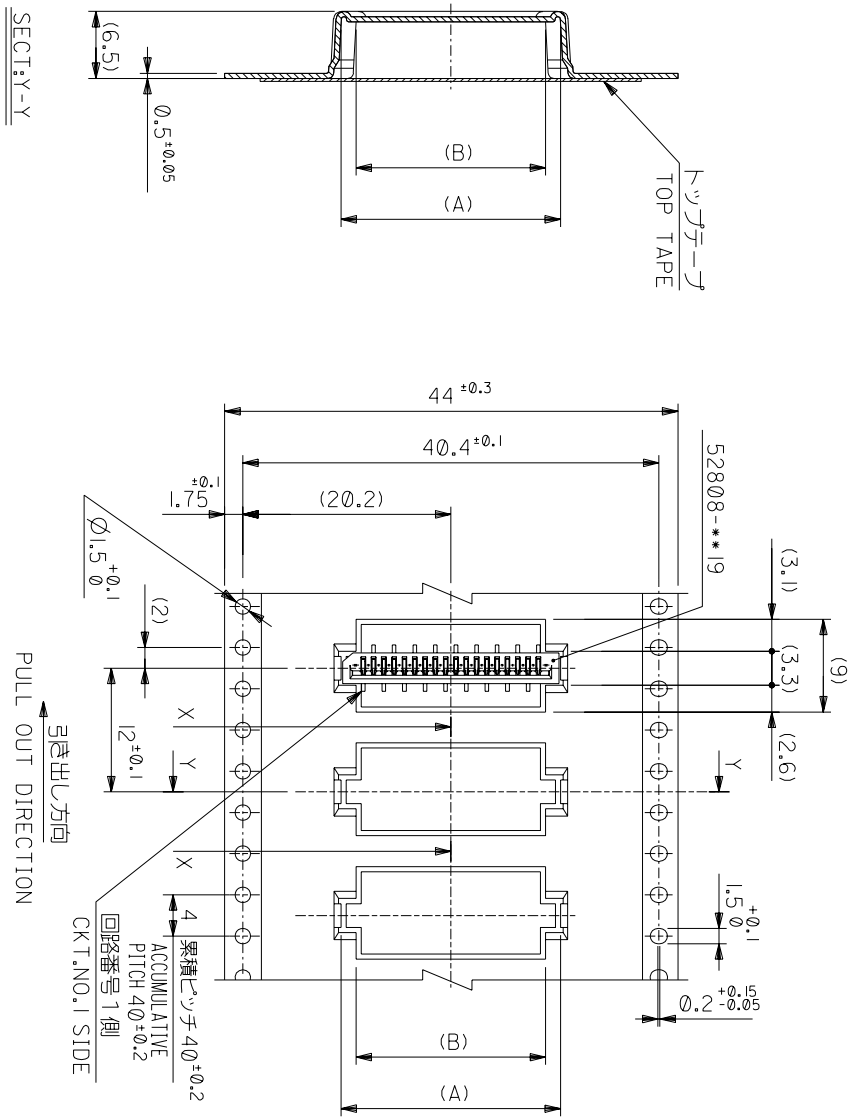
REVISE ONLY ON CAD SYSTEM

MOLEX JAPAN CO.,LTD. 日本モリス株式会社

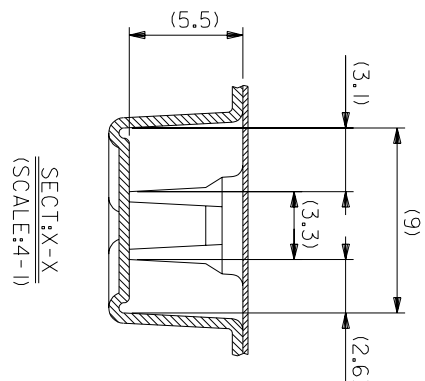
1.0 FFC Conn NON ZIF SMT ST Embstp Pkg -LEAD FREE-

DWG. NO. SD-52808-028 (SHEET 4 OF 6) REV 0

EN-01C10321MXJ-32



44mm幅キリキャリアテープ
44mm WIDTH CARRIER TAPE

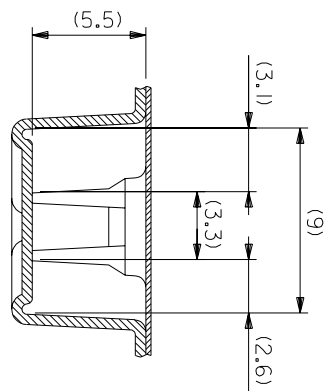
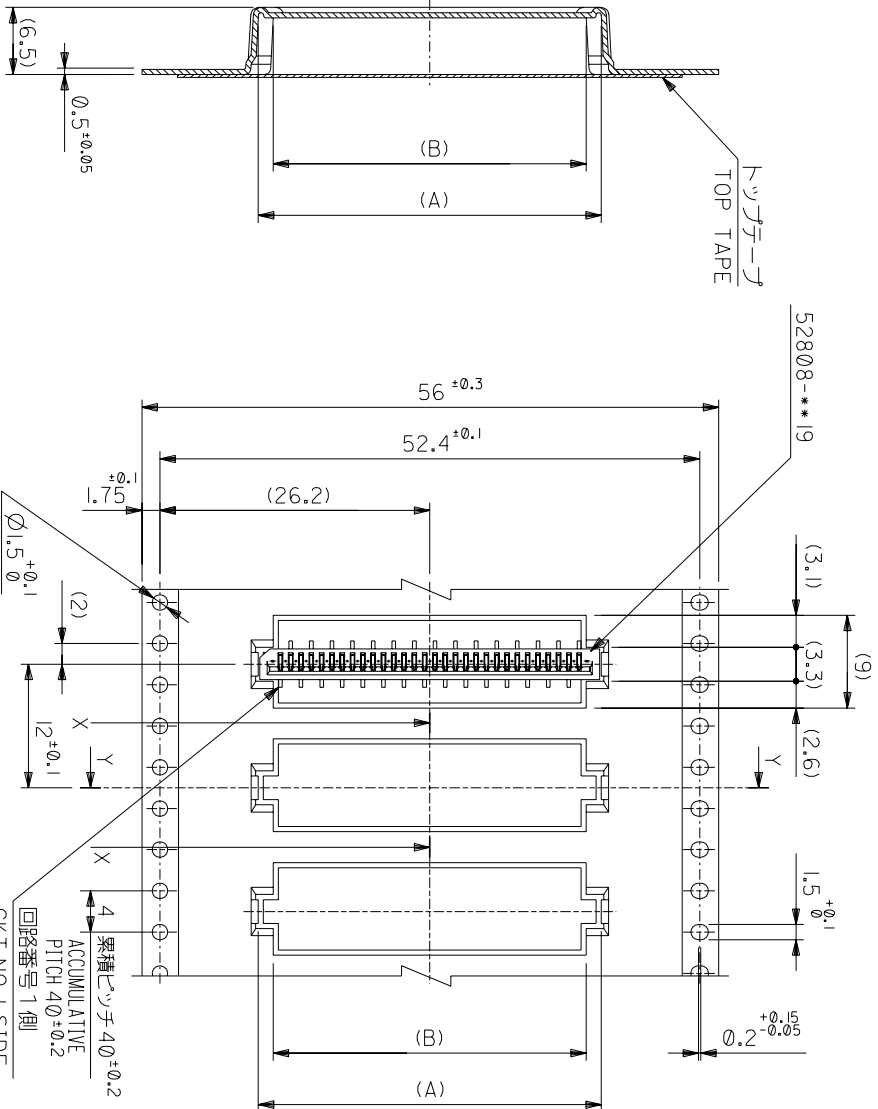


MODEL NO.	キャリアテープ幅 CARRIER TAPE WIDTH	C	(B)	(A)	種数 CKT.
52808-**70	44	45.5			16
					17
					18
					19
					20
					21
					22
					23
					24
					25
					26
					27
					28

材料 MATERIAL	モレックス	MOLEX-JAPAN CO.,LTD.
シート参照 REFER TO SHEET 1 OF 6		
仕上げ FINISH	---	---
適用電線範囲 WIRE RANGE	---	---
標準外径 INS. RANGE	---	---
製作者 M.NABEI	CHK'D BY	M.SASAO
承認者 M.SASAO	尺度 SCALE	---
記号 LTR	日付 DATE	---
変更内容 REVISION RECORD	DR-CHK.	---
0	12/04/99	---

角度 ANGLE	3°
30以上 INCH	1.0
10以下 30 UNDER	1.25
10 UNDER	1.25
一般公差 GENERAL TOLERANCES	±0.2

THIS DRAWING CONTAINS INFORMATION THAT IS PROPRIETARY TO MOLEX(JAPAN) AND SHOULD NOT BE USED WITHOUT WRITTEN PERMISSION
本図面は日本モレックス(株)の所有する情報を含むもので 当社の許可なく複製を禁止する。



56mm幅キヤリヤテープ
56mm WIDTH CARRIER TAPE

SECT:Y-Y

SECT:X-X
(SCALE:4-1)

PULL OUT DIRECTION
引き出し方向

52808-**-70	MODEL NO.	56	57.5	30.4	29.4	32.3	52808-2970	29	種数
56	CARRIER TAPE WIDTH	C	(B)	(A)	MATERIAL NO.				

材料 MATERIAL SHEET 1 OF 6 参照 REFER TO SHEET 1 OF 6
仕上り FINISH #
適用電線範囲 適用電線範囲
標準外径 INS. RANGE #
DRAWN BY 04/02/19 CHK'D BY 04/02/19
M.NABEY M.SASAO
APP'D BY 04/02/19 M.SASAO
SCALE #
REVISE ONLY ON CAD SYSTEM
MOLEX-JAPAN CO.,LTD.
日本モリス株式会社

角度 ANGLE	3°
30以上	1.5
10以下	4.25
30 UNDER	0.2
10 UNDER	0.2

記号	0	新規作成 (2004-2528)	DR	日付	04/02/19
一般公差	0	変更内容	CHK.	DATE	
GENERAL TOLERANCES		REVISION RECORD			

THIS DRAWING CONTAINS INFORMATION THAT IS PROPRIETARY TO MOLEX(JAPAN) AND SHOULD NOT BE USED WITHOUT WRITTEN PERMISSION
本図面は日本モリス(株)の所有する情報を含むもので 当社の許可なく複製を禁止する。