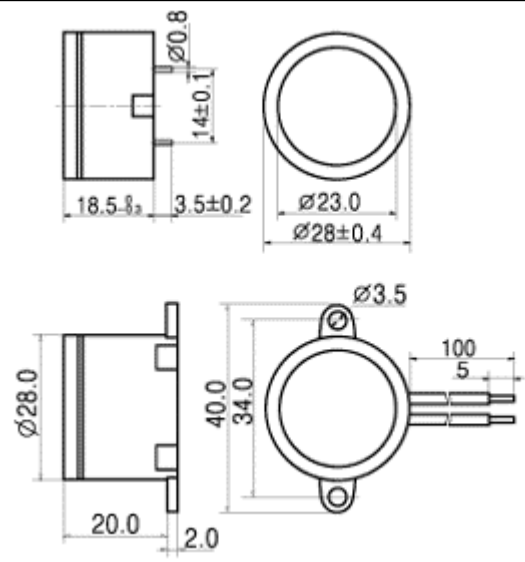




Type	A	B	C	D	E	F	G	H	I	J	K	L	M	N	O
Rated Voltage(Voc)	3	6	9	12	24	12	1.5	3	6	9	12	24	6	9	12
Operating Voltage(Voc)	2~5	4~9	6~11	9~15	15~28	4~15	1~3	2~5	4~9	6~11	8~15	15~28	4~9	6~11	8~15
◆Rated Current(mA)	<35		<40		<25	<15	<5	<8	<10		<15	<20	<35/10	<35/15	<40/15
Frequency(KHz)	2.9±0.2														
◆Sound Output at 30cm(dB)	>85	>90	>95		>90	>70	>73	>78	>80	>85	>85/70	>85/75	>90/80		
◆pulse Rate(Pulse/Sec)	NIL						2~7						NIL2~7		
Tone	SINGLE						PULSE						SINGLE/PULSE		
Operating Temperature(°C)	-20~+60														
Weight(g)	10														

◆Value applying rated voltage
 Option:3-terminal low-current-triggering moderts(triggering current 1 mA max.)



Unit:mm