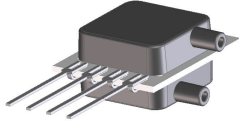


Miniature Low Pressure Sensors

Low Pressure (2" H₂O to 30 " H₂O) Sensors



Features

- 0 to 2" H₂O to 0 to 30" H₂O Pressure Ranges
- Matched pressure port volumes
- Temperature Compensated
- Calibrated Zero and Span

Applications

- Medical Instrumentation
- Environmental Controls
- HVAC

General Description

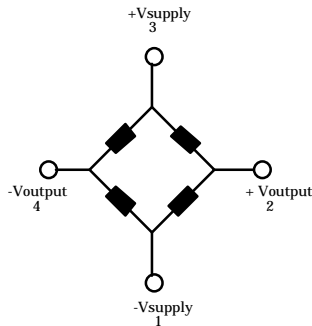
The Millivolt Output pressure sensors is based upon a proprietary technology to reduce all output offset or common mode errors. This model provides a calibrated millivolt output with superior output offset characteristics. Output offset errors due to change in temperature, stability to warm-up, stability to long time period, and position sensitivity are all significantly reduced when compared to conventional compensation methods. In addition the sensor utilizes a silicon, micromachined, stress concentration enhanced structure to provide a very linear output to measured pressure.

These calibrated and temperature compensated sensors give an accurate and stable output over a wide temperature range. This series is intended for use with non-corrosive, non-ionic working fluids such as air, dry gases and the like.

The output of the device is ratiometric to the supply voltage and operation from any D.C. supply voltage up to +16 V is acceptable.

Equivalent Circuit

Input Resistance	15 k ohm
Output Resistance	1.5 k ohm



Pressure Sensor Characteristics Maximum Ratings

Environmental Specifications

Supply Voltage VS	16 Vdc
Common-mode pressure	10 psig
Lead Temperature (soldering 2-4 sec.)	250°C

Temperature Ranges	
Compensated	0 to 50(70)° C
Operating	-25 to 85° C
Storage	-40 to 125° C
Humidity Limits	0 to 95% RH (non condensing)

Standard Pressure Ranges

Single in Line Packages-SIP

One Port Part Number	Operating Pressure	Two Ports Same Side Part Number	Two Ports Opposite Side Part Number
2 INCH-G-MV-MINI	0 - 2 "H2O	2 INCH-D1-MV-MINI	2 INCH-D2-MV-MINI
5 INCH-G-MV-MINI	0 - 5 "H2O	5 INCH-D1-MV-MINI	5 INCH-D2-MV-MINI
10 INCH-G-MV-MINI	0 - 10 "H2O	10 INCH-D1-MV-MINI	10 INCH-D2-MV-MINI
20 INCH-G-MV-MINI	0 - 20 "H2O	20 INCH-D1-MV-MINI	20 INCH-D2-MV-MINI
30 INCH-G-MV-MINI	0 - 30 "H2O	30 INCH-D1-MV-MINI	30 INCH-D2-MV-MINI

Dual in Line Packages

One Port Part Number	Operating Pressure	Two Ports Same Side Part Number	Two Ports Opposite Side Part Number	Two Ports Same Side Part Number
2 INCH-GDIP-MV-MINI	0 - 2 "H2O	2 INCH-D1DIP-MV-MINI	2 INCH-D2DIP-MV-MINI	2 INCH-SDXL-MV-MINI
5 INCH-GDIP-MV-MINI	0 - 5 "H2O	5 INCH-D1DIP-MV-MINI	5 INCH-D2DIP-MV-MINI	5 INCH-SDXL-MV-MINI
10 INCH-GDIP-MV-MINI	0 - 10 "H2O	10 INCH-D1DIP-MV-MINI	10 INCH-D2DIP-MV-MINI	10 INCH-SDXL-MV-MINI
20 INCH-GDIP-MV-MINI	0 - 20 "H2O	20 INCH-D1DIP-MV-MINI	20 INCH-D2DIP-MV-MINI	20 INCH-SDXL-MV-MINI
30 INCH-GDIP-MV-MINI	0 - 30 "H2O	30 INCH-D1DIP-MV-MINI	30 INCH-D2DIP-MV-MINI	30 INCH-SDXL-MV-MINI

Performance Characteristics for 2 INCH-D-MV-MINI

Parameter, note 1	Minimum	Nominal	Maximum	Units
Operating Range, differential pressure		2.0		"H2O
Output Span, @ 2 "H2O, note 5	9.0	10.0	11.0	mV
Operating Range, differential pressure		4.0		"H2O
Output Span, @ 4 "H2O, note 5	18.0	20.0	22.0	mV
Offset Voltage @ zero differential pressure			±500	µV
Offset Temperature Shift (0°C-50°C), note 2			±250	µV
Offset Warm-up Shift, note 3			±100	µV
Offset Position Sensitivity (1g)			±50	µV
Offset Long Term Drift (one year)			±200	µV
Linearity, hysteresis error, note 4		0.05	0.25	%fs
Span Shift (0°C-50°C), @ 2 "H2O, note 2			±200	µV

Performance Characteristics for 5 INCH-D-MV-MINI

Parameter, note 1	Minimum	Nominal	Maximum	Units
Operating Range, differential pressure		5.0		"H2O
Output Span, note 5	19.0	20.0	21.0	mV
Offset Voltage @ zero differential pressure			±500	uV
Offset Temperature Shift (0°C-50°C), note 2			±150	uV
Offset Warm-up Shift, note 3			±50	uV
Offset Position Sensitivity (1g)			±10	uV
Offset Long Term Drift (one year)			±100	uV
Linearity, hysteresis error, note 4		0.05	0.25	% fs
Span Shift (0°C-50°C), note 2			±200	uV

Performance Characteristics for 10 INCH-D-MV-MINI

Parameter, note 1	Minimum	Nominal	Maximum	Units
Operating Range, differential pressure		10.0		"H2O
Output Span, note 5	19.0	20.0	21.0	mV
Offset Voltage @ zero differential pressure			±500	uV
Offset Temperature Shift (0°C-70°C), note 2			±150	uV
Offset Warm-up Shift, note 3			±50	uV
Offset Position Sensitivity (1g)			±5	uV
Offset Long Term Drift (one year)			±100	uV
Linearity, hysteresis error, note 4		0.05	0.25	% fs
Span Shift (0°C-70°C), note 2			±200	uV

Performance Characteristics for 20 INCH-D-MV-MINI

Parameter, note 1	Minimum	Nominal	Maximum	Units
Operating Range, differential pressure		5.0		"H2O
Output Span, note 5	19.0	20.0	21.0	mV
Offset Voltage @ zero differential pressure			±500	uV
Offset Temperature Shift (0°C-70°C), note 2			±150	uV
Offset Warm-up Shift, note 3			±50	uV
Offset Position Sensitivity (1g)			±5	uV
Offset Long Term Drift (one year)			±100	uV
Linearity, hysteresis error, note 4		0.05	0.25	% fs
Span Shift (0°C-70°C), note 2			±200	uV

Performance Characteristics for 30 INCH-D-MV-MINI

Parameter, note 1	Minimum	Nominal	Maximum	Units
Operating Range, differential pressure		30.0		"H2O
Output Span, note 5	19.0	20.0	21.0	mV
Offset Voltage @ zero differential pressure			±500	uV
Offset Temperature Shift (0°C-70°C), note 2			±150	uV
Offset Warm-up Shift, note 3			±50	uV
Offset Position Sensitivity (1g)			±5	uV
Offset Long Term Drift (one year)			±100	uV
Linearity, hysteresis error, note 4		0.05	0.25	%fs
Span Shift (0°C-70°C), note 2			±200	uV

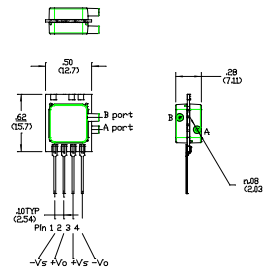
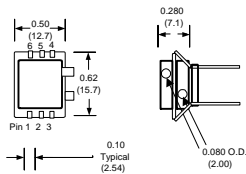
Specification Notes

- NOTE 1: ALL PARAMETERS ARE MEASURED AT 12.0 VOLT EXCITATION, FOR THE NOMINAL FULL SCALE PRESSURE AND ROOM TEMPERATURE UNLESS OTHERWISE SPECIFIED. PRESSURE MEASUREMENTS ARE WITH POSITIVE PRESSURE APPLIED TO THE B-PORT CONFIGURATION.
- NOTE 2: SHIFT IS RELATIVE TO 25°C.
- NOTE 3: SHIFT IS WITHIN THE FIRST HOUR OF EXCITATION APPLIED TO THE DEVICE.
- NOTE 4: MEASURED AT ONE-HALF FULL SCALE RATED PRESSURE USING BEST STRAIGHT LINE CURVE FIT.
- NOTE 5: THE VOLTAGE ADDED TO THE OFFSET VOLTAGE AT FULL SCALE PRESSURE.

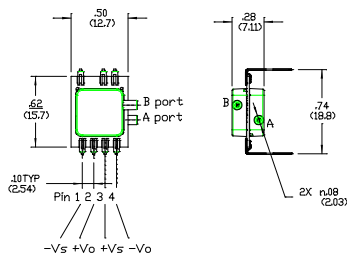
Pressure Response: for any pressure applied the response time to get to 90% of pressure applied is typically less than 100 useconds.

Physical Dimensions

Dual in Line (SDXL)



Dual in Line (DIP)



Two Pressure Port Same Side