

PLEASE CHECK WWW.MOLEX.COM FOR LATEST PART INFORMATION

Part Number: [0850039013](#)
Status: **Active**
Overview: [din_41612](#)
Description: 2.54mm (.100") Pitch DIN 41612 C/3 Style Male Header, Right Angle, Through Hole, 0.80µm (32µ") Selective Gold (Au) Plating, 30 Circuits, with Mounting Clips, No Flux Proof, Lead free

Documents:

[Drawing \(PDF\)](#) [RoHS Certificate of Compliance \(PDF\)](#)

Agency Certification

CSA LR19980
 UL E29179

General

Product Family Backplane Connectors
 Series [85003](#)
 Application Backplane
 Comments With Mounting Clips. No Flux Proof
 Component Type PCB Header
 Overview [din_41612](#)
 Product Name IEC 603-2/DIN 41612
 Style C/3

Physical

Circuits (Loaded) 30
 Circuits (maximum) 30
 Circuits Detail Standard Contacts at: A:a1-a10; B:b1-b10; C:c1-c10
 Color - Resin Gray
 Durability (mating cycles max) 400
 First Mate / Last Break No
 Flammability 94V-0
 Guide to Mating Part No
 Keying to Mating Part Yes
 Material - Metal Brass
 Material - Plating Mating Gold
 Material - Plating Termination Tin
 Material - Resin Polyester
 Number of Columns 16
 Number of Pairs Open Pin Field
 Number of Rows 3
 Orientation Right Angle
 PC Tail Length (in) 0.118 In
 PC Tail Length (mm) 3.00 mm
 PCB Locator No
 PCB Retention Yes
 PCB Thickness Recommended (in) 0.062 In
 PCB Thickness Recommended (mm) 1.60 mm
 Packaging Type Carton
 Pitch - Mating Interface (in) 0.100 In
 Pitch - Mating Interface (mm) 2.54 mm
 Pitch - Term. Interface (in) 0.100 In
 Pitch - Term. Interface (mm) 2.54 mm
 Plating min: Mating (µin) 32
 Plating min: Mating (µm) 0.80
 Plating min: Termination (µin) 98

EU RoHS

ELV and RoHS

Compliant

REACH SVHC

Not Reviewed

Halogen-Free

Status

Not Reviewed

China RoHS



Need more information on product environmental compliance?

Email productcompliance@molex.com
 For a multiple part number RoHS Certificate of Compliance, [click here](#)

Please visit the [Contact Us](#) section for any non-product compliance questions.

Search Parts in this Series

[85003Series](#)

Plating min: Termination (μm)	2.5
Polarized to PCB	Yes
Stackable	No
Temperature Range - Operating	-55°C to +125°C
Termination Interface: Style	Through Hole

Electrical

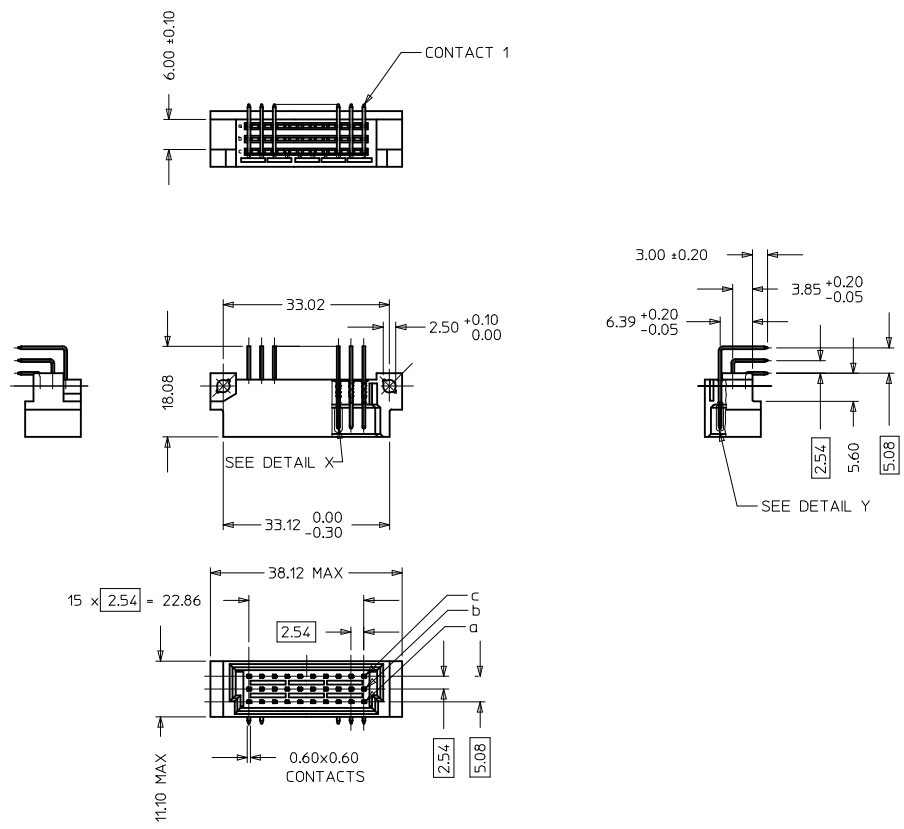
Current - Maximum per Contact	1A
Data Rate	622.0 Mbps
Voltage - Maximum	250V AC (RMS)

Material Info**Reference - Drawing Numbers**

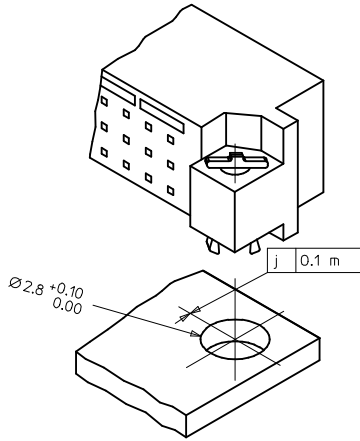
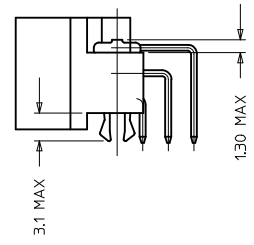
Sales Drawing	SD-85003-0003, SD-85003-9013
---------------	------------------------------

This document was generated on 05/17/2010

PLEASE CHECK WWW.MOLEX.COM FOR LATEST PART INFORMATION

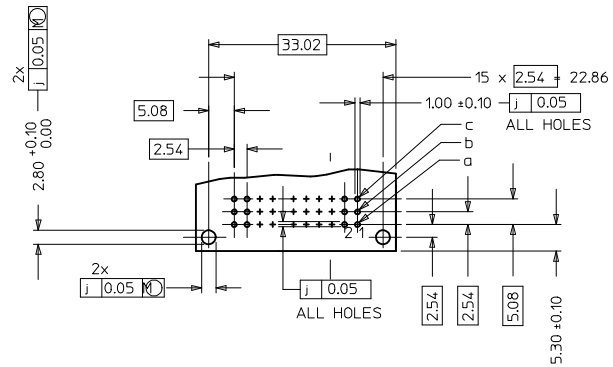


WITH MOUNTING CLIPS
8:1



- NOTES:
- MATERIALS: THERMOPLASTIC POLYESTER, GLASS FILLED.
UL94V-0. COLOUR: PEBBLE GREY RAL 7032
TERMINAL - BRASS
MOUNTING CLIP: STEEL
 - FINISH: TERMINAL:-
CONTACT AREA
1. PERFORMANCE LEVEL 1: SELECTIVE GOLD (Au), THICKNESS = 1.1 MICROMETER OVER NICKEL, THICKNESS = 1.25 MICROMETER
2. PERFORMANCE LEVEL 2: SELECTIVE GOLD (Au), THICKNESS = 0.6 MICROMETER OVER NICKEL, THICKNESS = 1.25 MICROMETER
3. PERFORMANCE LEVEL 3: SELECTIVE GOLD (Au), THICKNESS = 0.3 MICROMETER OVER NICKEL, THICKNESS = 1.25 MICROMETER
TERMINATION AREA:
SELECTIVE TIN, THICKNESS = 2.5 MICROMETER OVER NICKEL, THICKNESS = 1.25 MICROMETER OVERALL
 - MOUNTING CLIP:-
TIN (Sn), THICKNESS = 5-10 MICROMETER, OVER NICKEL (Ni), THICKNESS = 2.5 MICROMETER
 - FOR NON MOUNTING CLIP OPTION, CONNECTOR TO BE SECURED WITH RIVETS: 2 TUBULAR RIVETS 2.5 x 0.3 ... DIN 7340
SCREWS: 2 CHEESEHEAD SCREWS M2.5 x ... DIN 84 AND 2 HEXAGONAL NUTS M2.5 DIN 934
 - MATERIAL NUMBER, BATCH CODE, UL AND CSA MARKING TO BE PRINTED ON THE CONNECTOR
 - CUT FACE OF TIP WITHOUT PLATING PERMITTED
 - PRODUCT SPECIFICATION PS : 36502-001

RECOMMENDED PCB LAYOUT
COMPONENT SIDE



RoHS COMPLIANT

EC NO: 2007-0172 DRAWN: JAVENGO CHKD: SUDHIR APPR: KRASAD 2008/06/19 2009/01/22	QUALITY SYMBOLS ▽=0 ▽=0 DESCRIPTION	GENERAL TOLERANCES (UNLESS SPECIFIED) mm INCH		DIMENSION STYLE MM ONLY		SCALE 2:1	DESIGN UNITS METRIC	THIRD ANGLE PROJECTION	
		4 PLACES ± --- ± --- 3 PLACES ± 0.05 ± --- 2 PLACES ± 0.1 ± --- 1 PLACE ± 0.15 ± --- ANGULAR ± 2 °	DRAWN BY NS DATE 2001/03/01	CHECKED BY GJLOWE DATE 2001/03/01	APPROVED BY GJLOWE DATE 2001/03/01	TITLE ASSEMBLY, DIN 41612, C/3 MALE 30POS		MOLEX INCORPORATED	
B1	DRAFT WHERE APPLICABLE MUST REMAIN WITHIN DIMENSIONS	SEE CHART		MATERIAL NO.		DOCUMENT NO. SD-85003-0003		THIS DRAWING CONTAINS INFORMATION THAT IS PROPRIETARY TO MOLEX INCORPORATED AND SHOULD NOT BE USED WITHOUT WRITTEN PERMISSION	

20 19 18 17 16 15 14 13 12 11 9 8 7 6 5 4 3 2 1

VIEW ON MATING SIDE

○	C	C	C	C	C	C	C	C	C	C
△	B	B	B	B	B	B	B	B	B	B
○	A	A	A	A	A	A	A	A	A	A

○ △ ○

A = 10 STANDARD CONTACTS L = 3
 B = 10 STANDARD CONTACTS L = 3
 C = 10 STANDARD CONTACTS L = 3
 S = 30 TOTAL NUMBER OF CONTACTS

MARKING	STANDARD
PERFORMANCE LEVEL	G2/O = CONTACT AREA LEVEL 2 / TERMINATION TIN
FLUX PROOF	NO
FIXING CLIP	YES
DIMENSIONS	SD-85003-0003 SHT 1

C	G2/O	c1-10
B	G2/O	b1-10
A	G2/O	a1-10
CONTACT SYMBOL	PERFORMANCE LEVEL	CONTACT POSITION NUMBER

EC NO. I 2004-XXXX DRAWN N.S.: 09/09/03 CHK'd G.L.: 09/09/03 APPR. G.L.: 09/09/03	QUALITY SYMBOLS MAJOR \blacktriangledown CRITICAL ∇	GENERAL TOLERANCES: (UNLESS SPECIFIED): 4 PLACES ± 0.1 mm \pm INCH 3 PLACES ± 0.2 mm \pm INCH 2 PLACES ± 0.3 mm \pm INCH 1 PLACE ± 0.4 mm \pm INCH	SCALE DESIGN UNITS <input checked="" type="checkbox"/> MM <input type="checkbox"/> INCH	THIRD ANGLE PROJECTION <input type="checkbox"/> FIRST ANGLE <input checked="" type="checkbox"/> THIRD ANGLE	DIMENSIONS: <input type="checkbox"/> MM <input type="checkbox"/> INCH <input checked="" type="checkbox"/> BOTH <input type="checkbox"/> ONLY	SHT 1 REV REVISE ON CAD ONLY
	DRAWN BY & DATE N.S. 05/10/01	TITLE: 30 POS MALE CONNECTOR ACCORDING DIN 41612 STYLE C/3 CONTACTS ARRANGEMENT		MOLEX INCORPORATED		
	CHECKED BY & DATE G.L. 05/10/01	APPROVED BY & DATE G.L. 05/10/01	CAD FILENAME SD-85003-9013.S0	MATERIAL NO. 85003-9013	DRAWING NO. SD-85003-9013	SHEET NO. 1 OF 1
	DRAFT WHERE APPLICABLE MUST REMAIN WITHIN DIMENSIONS		THIS DRAWING CONTAINS INFORMATION THAT IS PROPRIETARY TO MOLEX INCORPORATED AND SHOULD NOT BE USED WITHOUT WRITTEN PERMISSION.			

19 18 17 16 15 14 13 12 11 10 9 8 7 6 5 4 3 2 1