

**PLEASE CHECK WWW.MOLEX.COM FOR LATEST PART INFORMATION**

**Part Number:** [0432028908](#)  
**Status:** **Active**  
**Overview:** [modular\\_plugs\\_jacks](#)  
**Description:** Modular Jack, Right Angle, Low Profile, 8/10

**Documents:**

[3D Model](#) [Product Specification PS-43202-001 \(PDF\)](#)  
[Drawing \(PDF\)](#) [RoHS Certificate of Compliance \(PDF\)](#)

**Agency Certification**

CSA LR19980  
 UL E107635

**General**

Product Family Modular Jacks/Plugs  
 Series [43202](#)  
 Comments Enhanced panel grounding tabs  
 Component Type PCB Jack  
 Magnetic No  
 Overview [modular\\_plugs\\_jacks](#)  
 Performance Category 3, 4  
 Power over Ethernet (PoE) N/A  
 Product Name RJ45

**Physical**

Color - Resin Black  
 Durability (mating cycles max) 500  
 Flammability 94V-0  
 Inverted / Top Latch No  
 Lightpipes/LEDs None  
 Material - Metal Brass, Phosphor Bronze  
 Material - Plating Mating Gold  
 Material - Plating Termination Tin  
 Material - Resin High Temperature Thermoplastic  
 Orientation Right Angle (Side Entry)  
 PCB Retention Yes  
 PCB Thickness Recommended (in) 0.062 In  
 PCB Thickness Recommended (mm) 1.60 mm  
 Packaging Type Tray  
 Pitch - Mating Interface (in) 0.050 In  
 Pitch - Mating Interface (mm) 1.27 mm  
 Plating min: Mating (µin) 50  
 Plating min: Mating (µm) 1.25  
 Plating min: Termination (µin) 100  
 Plating min: Termination (µm) 2.5  
 Ports 1  
 Positions / Loaded Contacts 8/10  
 Surface Mount Compatible (SMC) Yes  
 Temperature Range - Operating -40°C to +85°C  
 Termination Interface: Style Through Hole  
 Wire/Cable Type N/A

**Electrical**

Current - Maximum per Contact 1.5A  
 Grounding to PCB Yes  
 Grounding to Panel None



**EU RoHS**

**ELV and RoHS  
 Compliant**  
**REACH SVHC  
 Contains SVHC: No**  
**Halogen-Free  
 Status  
 Not Reviewed**

**China RoHS**



**Need more information on product  
 environmental compliance?**

Email [productcompliance@molex.com](mailto:productcompliance@molex.com)  
 For a multiple part number RoHS Certificate of  
 Compliance, [click here](#)

Please visit the [Contact Us](#) section for any  
 non-product compliance questions.

**Search Parts in this Series**

[43202Series](#)

**Mates With**

FCC 68 Plugs

Shielded	Yes
Voltage - Maximum	125V

**Solder Process Data**

Duration at Max. Process Temperature (seconds)	5
Lead-free Process Capability	Wave Capable (TH only)
Max. Cycles at Max. Process Temperature	1
Process Temperature max. C	260

**Material Info****Reference - Drawing Numbers**

Packaging Specification	PK-43202-004
Product Specification	PS-43202-001, RPS-43202-002
Sales Drawing	SDA-43202

This document was generated on 06/07/2010

**PLEASE CHECK [WWW.MOLEX.COM](http://WWW.MOLEX.COM) FOR LATEST PART INFORMATION**



SHIELDED MODULAR JACK SHOWN WITH PANEL GROUND OPTION 'D' AND FRONT PCB GROUND TABS.

NOTES:

- 1) MATERIAL:  
 HOUSING: NYLON(PA), GLASS FILLED, UL94V-0, COLOR: SEE SHEETS 5 AND 6  
 INSULATOR: NYLON(PA), GLASS FILLED, UL94V-0, COLOR: SEE SHEETS 5 AND 6  
 TERMINALS: PHOSPHOR BRONZE, .012/ 0.30 THICK  
 SHIELD: BRASS, .007/ 0.18 THICK
- 2) FINISH:  
 TERMINALS:  
 A = SELECT GOLD IN CONTACT AREA: 50 MICROINCHES / 1.27 MICROMETERS MIN.,  
 \*SELECT TIN IN PC TAIL AREA: 100 MICROINCHES / 2.54 MICROMETERS MIN.,  
 WITH OVERALL NICKEL UNDERPLATE: 50 MICROINCHES / 1.27 MICROMETERS MIN.  
 B = SELECT GOLD IN CONTACT AREA: 30 MICROINCHES / 0.76 MICROMETERS MIN.,  
 \*SELECT TIN IN PC TAIL AREA: 100 MICROINCHES / 2.54 MICROMETERS MIN.,  
 WITH OVERALL NICKEL UNDERPLATE: 50 MICROINCHES / 1.27 MICROMETERS MIN.  
 \*THE PRIMARY SHIPPING CARTON WILL BE LABELED "COMPLIANT TO RoHS DIRECTIVE 2002/95/EC AND ELV ANNEX II OF DIRECTIVE 2000/53/EC".  
 CARTONS WITHOUT THIS LABEL MAY CONTAIN PRODUCT WITH TIN-LEAD IN THE PC TAILS AND/OR SHIELD.
- SHIELD:  
 100 MICROINCHES / 2.54 MICROMETERS NICKEL OVER 50 MICROINCHES / 1.27 MICROMETERS COPPER UNDERPLATE PCB GROUND TABS DIPPED IN TIN
- 3) PRODUCT SPECIFICATION AND PROCESSING PARAMETERS: PS-43202.
- 4) PACKAGING SPECIFICATION:  
 UNSHIELDED CONNECTOR ASSEMBLIES PACKAGED IN THERMOFORMED TRAYS PER MOLEX PACKAGING SPECIFICATION PK-43202-003.  
 UNSHIELDED CONNECTOR ASSEMBLIES PACKAGED IN TUBES PER MOLEX PACKAGING SPECIFICATION PK-43202-005.  
 SHIELDED CONNECTOR ASSEMBLIES PACKAGED IN THERMOFORMED TRAYS PER MOLEX PACKAGING SPECIFICATION PK-43202-004.
- 5) SEE SHEETS 7 - 9 FOR P.C. BOARD LAYOUTS.
- 6) CONFORMS TO FCC REGULATION PART 68.5 FOR MODULAR JACKS.
- 7) THIS PART CONFORMS TO CLASS B REQUIREMENTS OF COSMETIC SPECIFICATION PS-45499-002.

9	L2
8	L2
7	L2
6	L4
5	L
4	K2
3	L1
2	L1
1	L4
SH	REV

DRAWING LEGEND

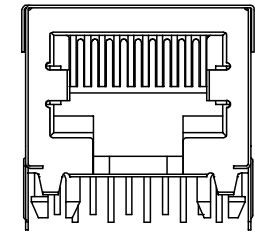
- SHEET 1- NOTES, DRAWING LEGEND
- SHEET 2- SHIELDED MODULAR JACK W/ BOTTOM GROUND TABS
- SHEET 3- SHIELDED MODULAR JACK W/O BOTTOM GROUND TABS
- SHEET 4- UNSHIELDED MODULAR JACK
- SHEET 5- PART NUMBER CHARTS
- SHEET 6- PART NUMBER CHARTS
- SHEET 7- FOOTPRINT LAYOUT FOR 4 POSITION HOUSING
- SHEET 8- FOOTPRINT LAYOUT FOR 6 POSITION HOUSING
- SHEET 9- FOOTPRINT LAYOUT FOR 8 POSITION HOUSING

OBS COLORED JACKS EC NO: UCP2008-1189 DRAWN:JBELL 2007/11/30 CHKD:LSCHMIDT 2008/02/20 APPR:FSM/TH 2008/03/04	QUALITY SYMBOLS	GENERAL TOLERANCES (UNLESS SPECIFIED)	DIMENSION STYLE	SCALE	DESIGN UNITS	THIRD ANGLE PROJECTION	
	▼=0 ▽=0	mm INCH	IN/MM	4:1	INCH		
		4 PLACES ±--- ±--- 3 PLACES ±--- ±.010 2 PLACES ±0.25 ±.014 1 PLACE ±0.36 ±---	DRAWN BY DATE JTR 1993/03/31	CHECKED BY DATE JTR 1993/03/31	TITLE ULTRA LOW PROFILE RIGHT ANGLE MODULAR JACK ASSEMBLY		
		ANGULAR ±1/2°	APPROVED BY DATE RAS 1993/03/31	MATERIAL NO. SEE SHTS 5&6			
		DRAFT WHERE APPLICABLE MUST REMAIN WITHIN DIMENSIONS	DOCUMENT NO. SDA-43202		SHEET NO. 1 OF 9		
L4	REV	THIS DRAWING CONTAINS INFORMATION THAT IS PROPRIETARY TO MOLEX INCORPORATED AND SHOULD NOT BE USED WITHOUT WRITTEN PERMISSION					

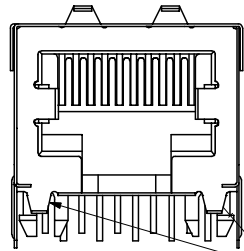
# SHIELDED MODULAR JACK W/BOTTOM GROUND TABS

SIZE 8 LOADED 10 VERSION SHOWN

## SIDE/TOP GROUND TAB OPTIONS FOR SHIELDS

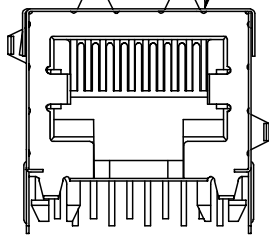


OPTION "A"  
NO TOP OR SIDE TABS

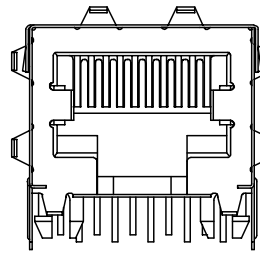


OPTION "B"  
TOP TABS  
BOTTOM GROUND TABS

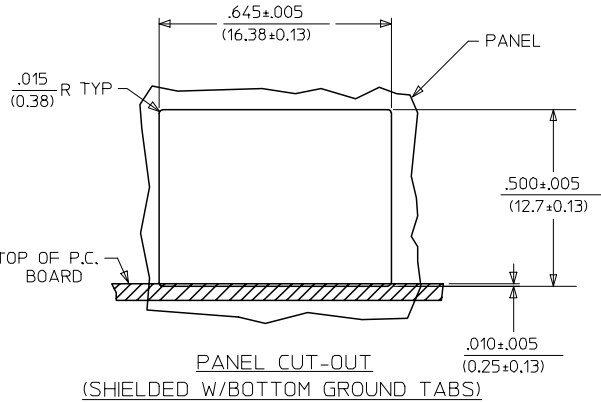
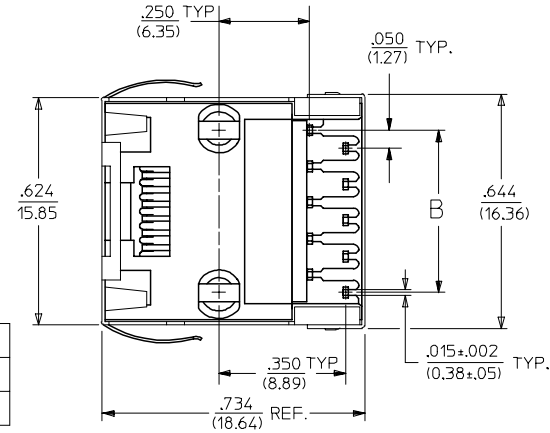
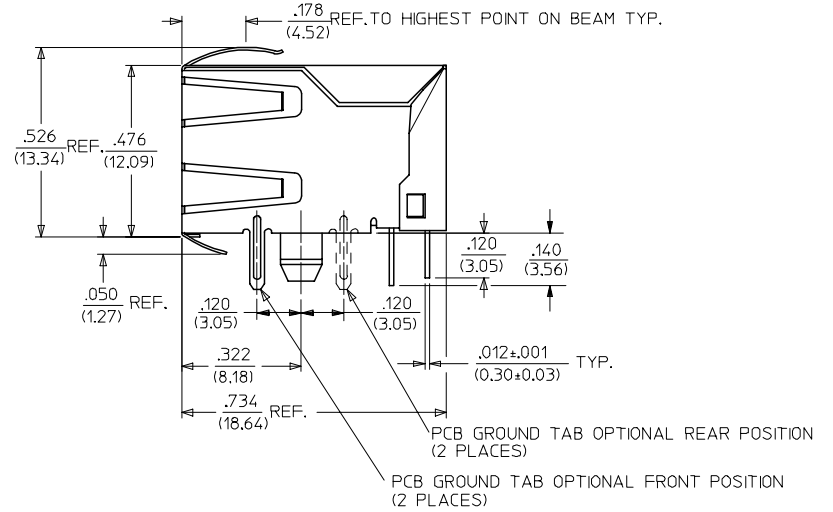
OPTIONAL TOP GROUND TABS  
SHIELDED MODULAR JACK ASSEMBLY  
SEE SHEET 5 FOR MATERIAL NO.



OPTION "C"  
TOP AND STAGGERED SIDE TABS



OPTION "D"  
TOP AND SIDE TABS  
OPTIONAL SIDE GROUND TABS (2 PLACES)



HOUSING SIZE	CIRCUIT SIZE	B
8	10	.450±.005 11.43±.13
8	8	.350±.005 8.89±.13

SEE SHEET ONE FC NO: UCP2004-1888 DRWN: LSCHMIDT 2004/03/31 CHKD: LSCHMIDT 2004/03/31 APPR: FSMITH 2004/03/31	QUALITY SYMBOLS -0 -0	GENERAL TOLERANCES (UNLESS SPECIFIED) mm INCH 4 PLACES ± --- ± --- 3 PLACES ± --- ± .010 2 PLACES ± 0.25 ± .014 1 PLACE ± 0.36 ± --- ANGULAR ±1/2°	SCALE 4:1 DESIGN UNITS INCH DIMENSION STYLE IN/MM DRAWN BY JTR DATE 1993/03/31 CHECKED BY JTR DATE 1993/03/31 APPROVED BY RAS DATE 1993/03/31	THIRD ANGLE PROJECTION REVISE ON CAD ONLY TITLE ULTRA LOW PROFILE RIGHT ANGLE MODULAR JACK ASSEMBLY mox MOLEX INCORPORATED MATERIAL NO. DOCUMENT NO. SHEET NO. SEE SHT 5 SDA-43202 2 OF 9
	DRAFT WHERE APPLICABLE MUST REMAIN WITHIN DIMENSIONS			THIS DRAWING CONTAINS INFORMATION THAT IS PROPRIETARY TO MOLEX INCORPORATED AND SHOULD NOT BE USED WITHOUT WRITTEN PERMISSION
	L1			

SHIELDED MODULAR JACKS W/BOTTOM GROUND TABS (SHEET 2)

ASSEMBLY MATERIAL NUMBER	CONNECTOR SIZE	NUMBER OF CIRCUITS	SIDE/TOP PANEL GROUND TAB OPTION	PCB GROUND TAB OPTION	TERMINAL PLATING OPTION	PACKAGING OPTION	HOUSING COLOR
43202-8900	8	10	A	FRONT POSITION	A	TRAY	BLACK
43202-8901	8	10	B	FRONT POSITION	A	TRAY	
43202-8902	8	10	C	FRONT POSITION	A	TRAY	
43202-8903	8	10	D	FRONT POSITION	A	TRAY	
43202-8908	8	10	A	REAR POSITION	A	TRAY	
43202-8909	8	10	B	REAR POSITION	A	TRAY	
43202-8910	8	10	C	REAR POSITION	A	TRAY	
43202-8911	8	10	D	REAR POSITION	A	TRAY	
43202-8916	8	8	A	FRONT POSITION	A	TRAY	
43202-8917	8	8	B	FRONT POSITION	A	TRAY	
43202-8918	8	8	C	FRONT POSITION	A	TRAY	
43202-8919	8	8	D	FRONT POSITION	A	TRAY	
43202-8924	8	8	A	REAR POSITION	A	TRAY	
43202-8925	8	8	B	REAR POSITION	A	TRAY	
43202-8926	8	8	C	REAR POSITION	A	TRAY	
43202-8927	8	8	D	REAR POSITION	A	TRAY	

J  
I  
H  
G  
F  
E  
D  
C  
B  
A

J  
I  
H  
G  
F  
E  
D  
C  
B  
A

SEE SHEET 1 EC NO: UCP2004-1347 DRWN:MKANARAO004/02/09 CHKD:MKANARAO004/02/09 APPR:BMURKUS 2004/02/10 REV DESCRIPTION	QUALITY SYMBOLS	GENERAL TOLERANCES (UNLESS SPECIFIED)	SCALE 4:1	DESIGN UNITS INCH	THIRD ANGLE PROJECTION	REVISE ON CAD ONLY
		mm INCH	DIMENSION STYLE IN/MM		TITLE	
		4 PLACES ± --- ± ---	DRAWN BY DATE		ULTRA LOW PROFILE RIGHT ANGLE MODULAR JACK ASSEMBLY	
		3 PLACES ± --- ± .010	JTR 1993/03/18			
2 PLACES ± 0.25 ± .014	CHECKED BY DATE		MOLEX INCORPORATED			
1 PLACE ± 0.36 ± ---	JTR 1993/03/18					
	ANGULAR ±1/2°	APPROVED BY DATE		MATERIAL NO.	DOCUMENT NO.	SHEET NO.
	DRAFT WHERE APPLICABLE MUST REMAIN WITHIN DIMENSIONS	RAS 1993/03/18		SEE CHART	SDA-43202	5 OF 9
THIS DRAWING CONTAINS INFORMATION THAT IS PROPRIETARY TO MOLEX INCORPORATED AND SHOULD NOT BE USED WITHOUT WRITTEN PERMISSION						



PC BOARD LAYOUT FOR 8 POSITION HOUSING  
(10 CIRCUIT FOOTPRINT SHOWN)  
(COMPONENT SIDE OF BOARD)



PC BOARD LAYOUT FOR 8 POSITION HOUSING  
(8 CIRCUIT FOOTPRINT SHOWN)  
(COMPONENT SIDE OF BOARD)



PC BOARD LAYOUT FOR 8 POSITION HOUSING  
(16 CIRCUIT FOOTPRINT SHOWN)  
(COMPONENT SIDE OF BOARD)

NOTES:  
1. RECOMMENDED PCB THICKNESS: .062±.005/(1.57±0.13)

ADD PCB THICKNESS EC NO: UCP2005-2739 DRWN: L.SCHMIDT 2005/06/20 CHKD: ELHAG 2005/06/22 APPR: F.SMITH 2005/06/23 REV: L2	QUALITY SYMBOLS	GENERAL TOLERANCES (UNLESS SPECIFIED)		SCALE 4:1	DESIGN UNITS INCH	THIRD ANGLE PROJECTION	REVISE ON CAD ONLY	
	-0 -0	mm	INCH	DIMENSION STYLE IN/MM		TITLE		
		4 PLACES ±.010	±.010	DRAWN BY L.E.LENZ		DATE 1995/03/09		
		3 PLACES ±.014	±.014	CHECKED BY JTR		DATE 1995/03/09		
DRAFT WHERE APPLICABLE		ANGULAR ±1/2°		APPROVED BY RAS		DATE 1995/03/09		
MUST REMAIN WITHIN DIMENSIONS		THIS DRAWING CONTAINS INFORMATION THAT IS PROPRIETARY TO MOLEX INCORPORATED AND SHOULD NOT BE USED WITHOUT WRITTEN PERMISSION		SEE SHTS 5&6		MATERIAL NO. SDA-43202		
				DOCUMENT NO. SDA-43202		SHEET NO. 9 OF 9		

ULTRA LOW PROFILE  
RIGHT ANGLE MODULAR JACK  
ASSEMBLY

MOLEX MOLEX INCORPORATED