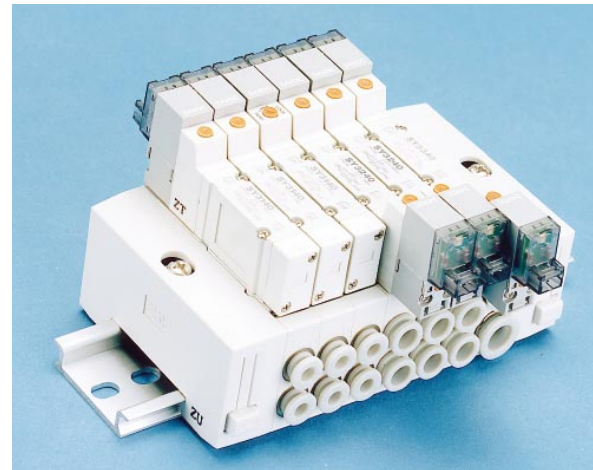


5 PORT SOLENOID VALVE SERIES SY3000

- ✓ High flow capacity
- ✓ Low power consumption
- ✓ Fast response
- ✓ Life expectancy over 50 million cycles
- ✓ Body ported and base mounted versions
- ✓ Compact and lightweight
- ✓ Threaded or one touch fittings
- ✓ Wide range of manifold options
- ✓ Internal pilot exhaust is standard

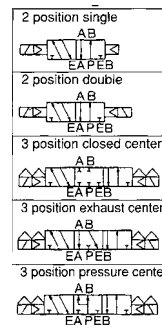


NOTE: External pilot versions of these valves are also available. Please contact your local SMC Regional Centre for details.

TECHNICAL SPECIFICATIONS

Fluid		Air
Operating Pressure	2 Position single solenoid	1.5 - 7.1kgf.cm ² (0.15-0.7MPa)
	2 position double solenoid	1.0 - 7.1kgf/cm ² (0.1 - 0.7MPa)
	3 Position valve	2.0 - 7.1 kg/cm ² (0.2 - 0.7MPa)
Ambient and fluid temperature (°C)		-10°C ~ +50°C
Max. operating frequency	2 position valve	10Hz
	3 position valve	3Hz
Lubrication		Not required
Mounting position		Free
Response time (at 5.1kgf/cm ²) with lamp and surge voltage suppressor)	2 position single solenoid	12ms
	2 position double solenoid	10ms
	3 position valve	15ms
Power consumption	24VDC	0.55W with LED
	110VAC	1.1VA with LED
	230VAC	2.3VA with LED
Allowable voltage variation		±10%
Flow capacity		Cv 0.2 or greater (See separate table)

SYMBOLS



HOW TO ORDER

SOLENOID VALVE SERIES SY3000

SY3 0 0 0 0 0 0 Q

ACTUATION

- 12 position single solenoid
- 22 position double solenoid
- 33 position closed centre
- 43 position exhaust centre
- 53 position pressure centre

MOUNTING

- 2Body ported
- 4Base mounted

VOLTAGE

- 524VDC
- 612VDC
- V6VDC
- S5VDC
- R3VDC
- 3110VAC
- 4230VAC
- B24VAC

ELECTRICAL ENTRY

Grommet	L type plug connector		M type plug connector	
G: Lead wire length: 300mm	L: With lead wire (Length: 300mm)	LN: Without lead wire	M: With lead wire (Length: 300mm)	MN: Without lead wire

MOUNTING BRACKET

- (For SY3*20 valve)
- Nil ...Without
- F1 ...End bracket (Single solenoid type only)
- F2 ...Side bracket

PORT SIZE

- (For SY3*20 valves only)
- M5 ...M5x0.5 threaded
- C4 ...4mm one touch fitting
- C6 ...6mm one touch fitting

MANUAL OVERRIDE

- Nil ...Push button momentary
- DSlotted locking type
- ELever locking type

LAMP AND SURGE PROTECTION

- Nil ...Without
- SWith surge protection
- ZWith LED and surge protection

STOCKED PRODUCTS
FOR A LIST OF STOCKED PRODUCTS, PLEASE SEE THE CURRENT SMC PRICE LIST



FOR FURTHER TECHNICAL DETAILS ON THIS PRODUCT REQUEST CATALOGUE REFERENCE E135-B

ACCESSORIES

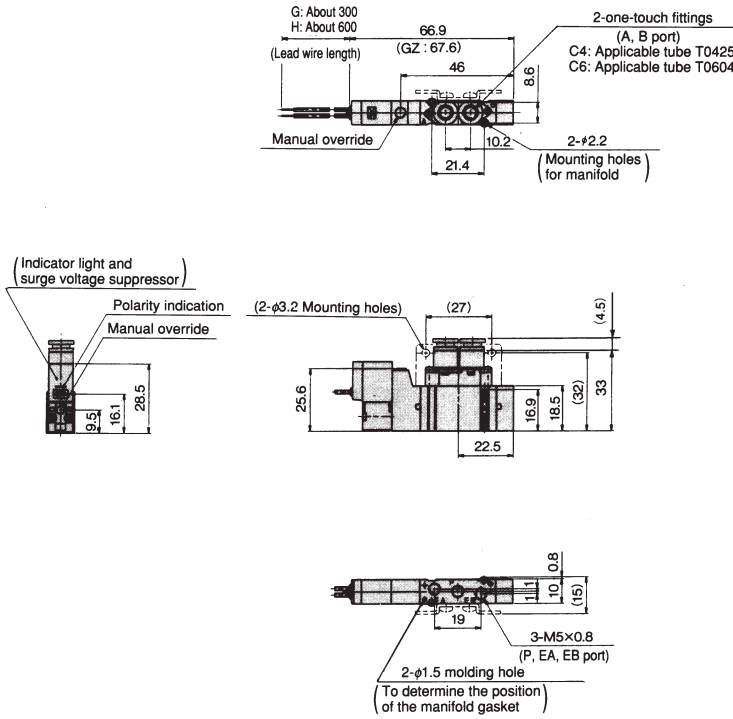
- Single subbase = SY3000-27-1
- SY3*20 porting block-M5 = SY3000-6A-M5
- SY3*20 porting block-C4 = SY3000-6A-C4
- SY3*20 porting block-C6 = SY3000-6A-C6
- Side mounting bracket = SX3000-16-1A
- Foot mounting bracket = SX3000-16-2A
- Connector assemblies - See separate table

APPLICABLE MANIFOLDS FOR SY3000
SERIES VALVE

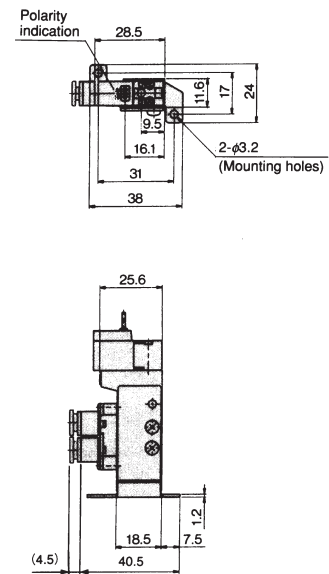
- SS5Y3-20For body ported valve
- SS5Y3-20P.....For body ported valve
- SS5Y3-41For base mounted valves
- SS5Y3-42For base mounted valves
- SS5Y3-41P.....For base mounted valves
- SS5Y3-42P.....For base mounted valves
- SS5Y3-45Valves differ, please separate section for details of valves and manifolds

DIMENSIONS
SY3000

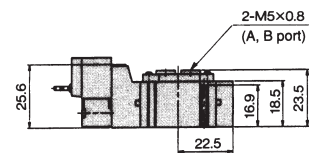
2 position single
Grommet (G), (H) : SY3120-□^G□^H□-C₄-C₆ (-F2)



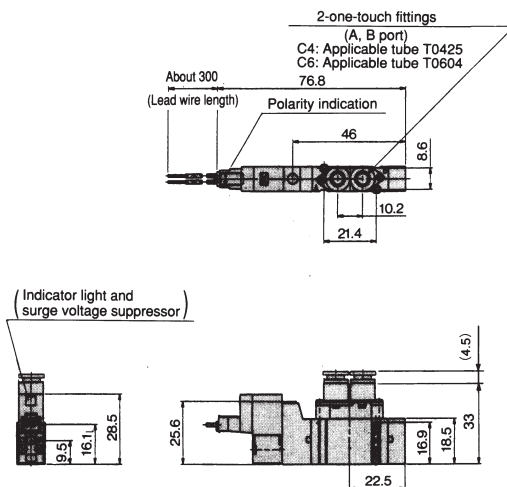
In case of with foot bracket
SY3120-□^G□^H□-C₄-C₆-F1



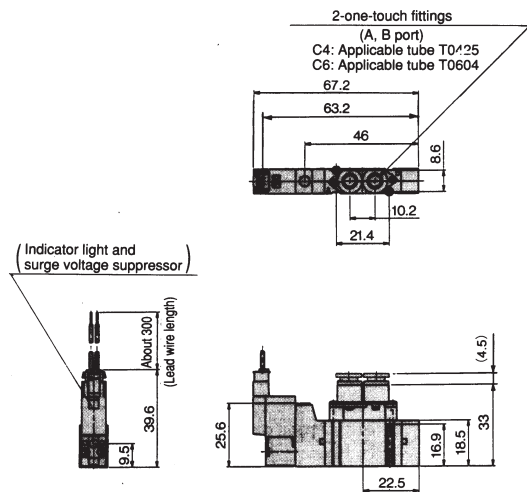
SY3120-□^G□^H□-M5



L type plug connector (L) : SY3120-□^L□-C₄-C₆



M type plug connector (M) : SY3120-□^M□-C₄-C₆



SEE INSIDE FRONT COVER FOR
DETAILS OF YOUR LOCAL SALES OFFICE



FOR FURTHER TECHNICAL
DETAILS ON THIS PRODUCT
REQUEST CATALOGUE
REFERENCE
E135-B

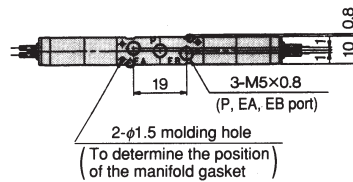
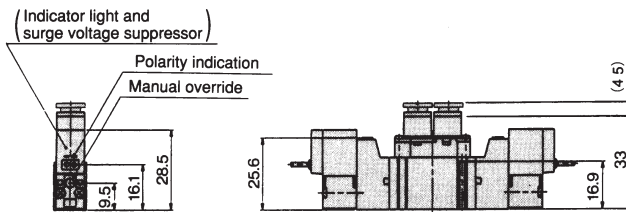
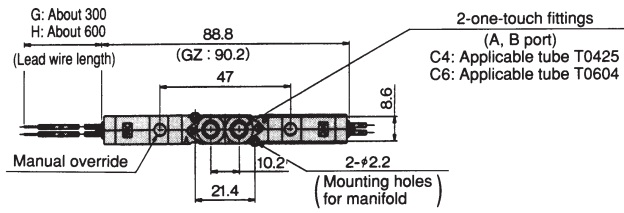
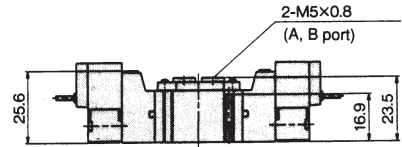
DIMENSIONS
SY3000

2 position double

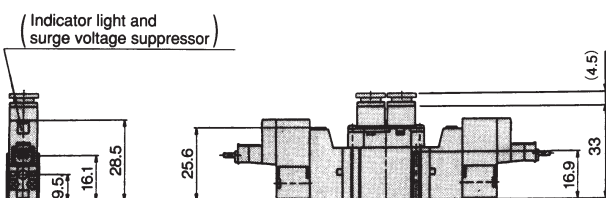
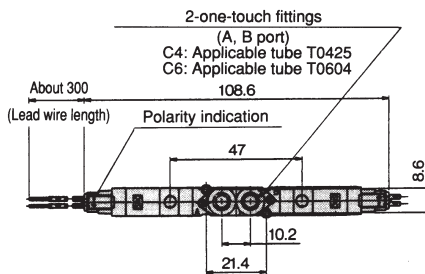
Grommet (G), (H) : SY3220-□^G□^H□□-C₄^{C6}

SY3220-□^G□^H□□-M5

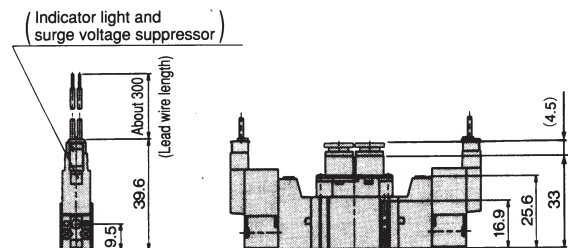
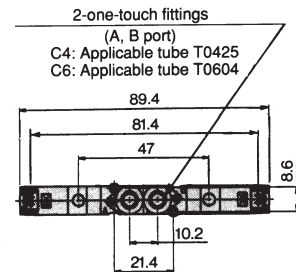
Scale: 40%



L type plug connector (L) : SY3220-□L□□-C₄^{C6}



M type plug connector (M) : SY3220-□M□□-C₄^{C6}

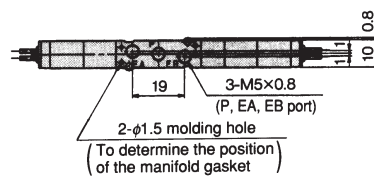
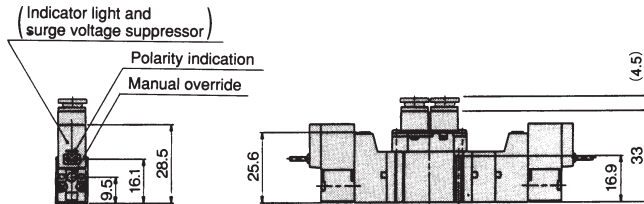
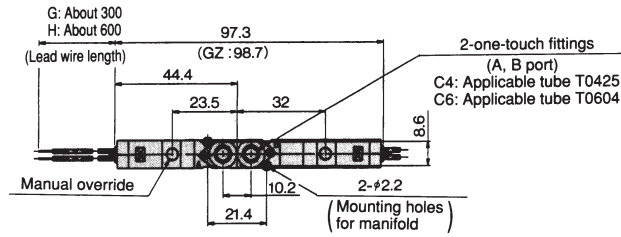
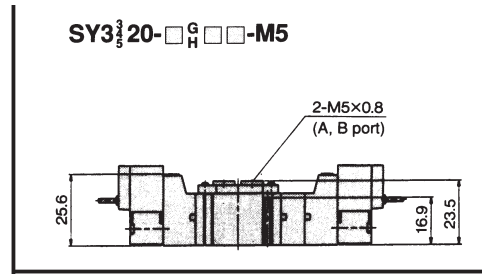


DIMENSIONS
SY3000

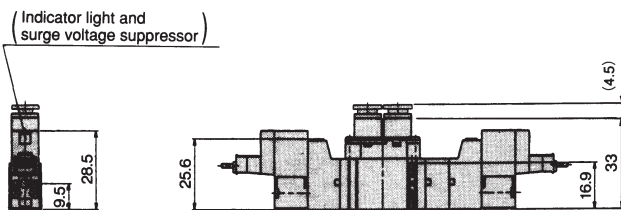
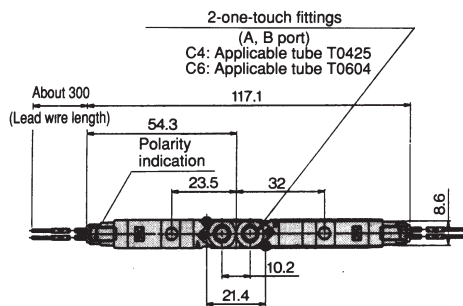
3 position closed center / exhaust center / pressure center

Grommet (G), (H) : SY3 $\frac{3}{8}$ 20-□^G□□□-C⁴_{C6}

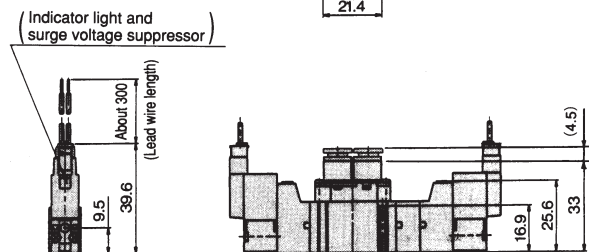
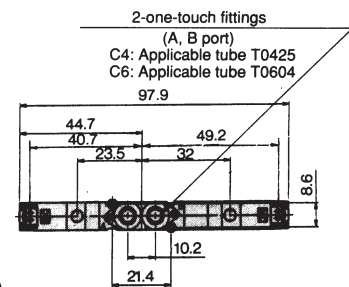
SY3 $\frac{3}{8}$ 20-□^G□□□-M5



L type plug connector (L) : SY3 $\frac{3}{8}$ 20-□^L□□□-C⁴_{C6}



M type plug connector (M) : SY3 $\frac{3}{8}$ 20-□^M□□□-C⁴_{C6}



SEE INSIDE FRONT COVER FOR
DETAILS OF YOUR LOCAL SALES OFFICE

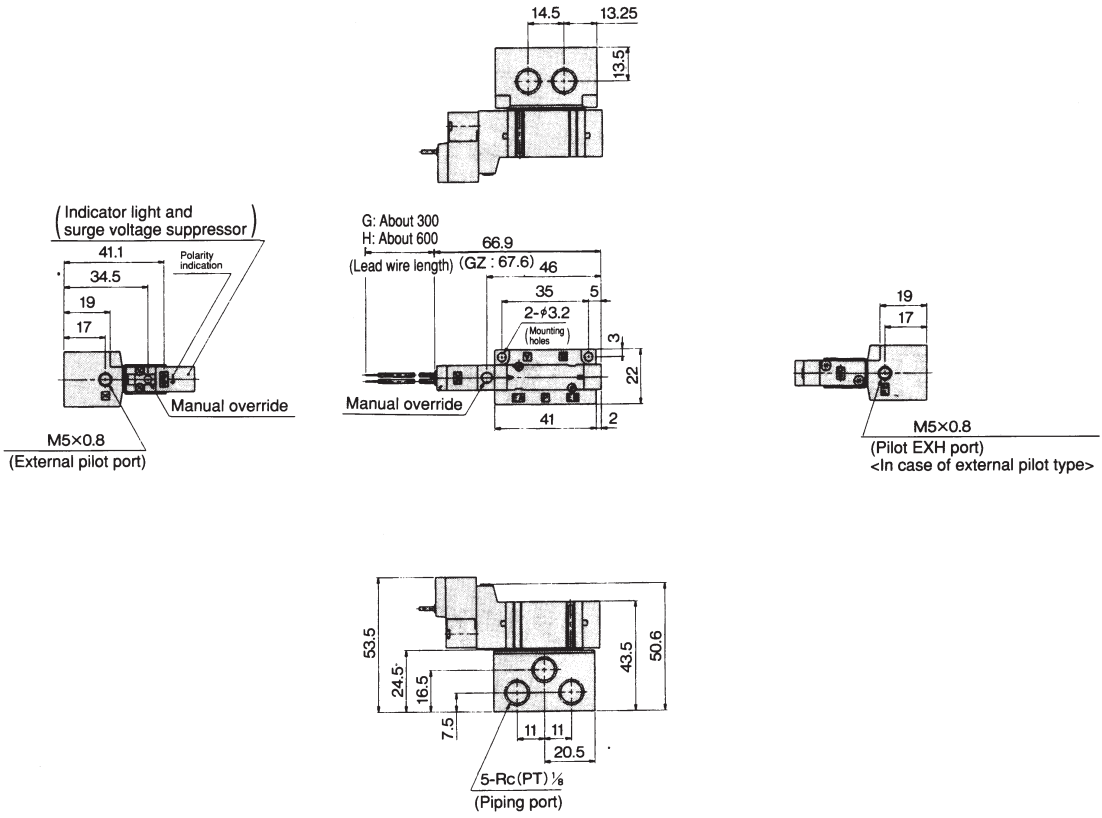


FOR FURTHER TECHNICAL
DETAILS ON THIS PRODUCT
REQUEST CATALOGUE
REFERENCE
E135-B

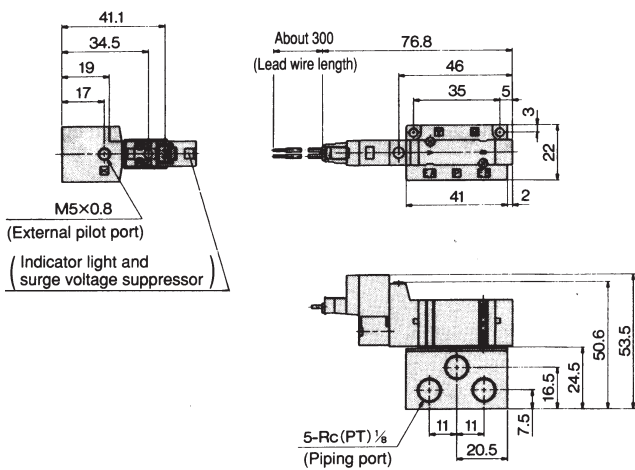
DIMENSIONS
SY3000

2 position single

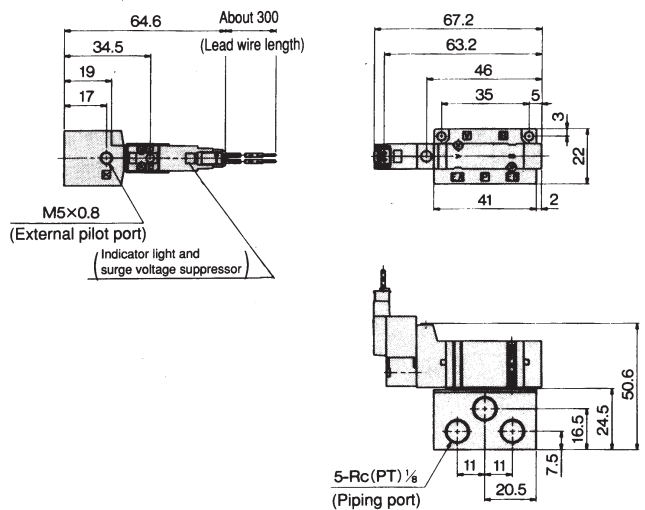
Grommet (G), (H) : SY3140-□^G□□-01



L type plug connector (L) : SY3140-□L□□-01



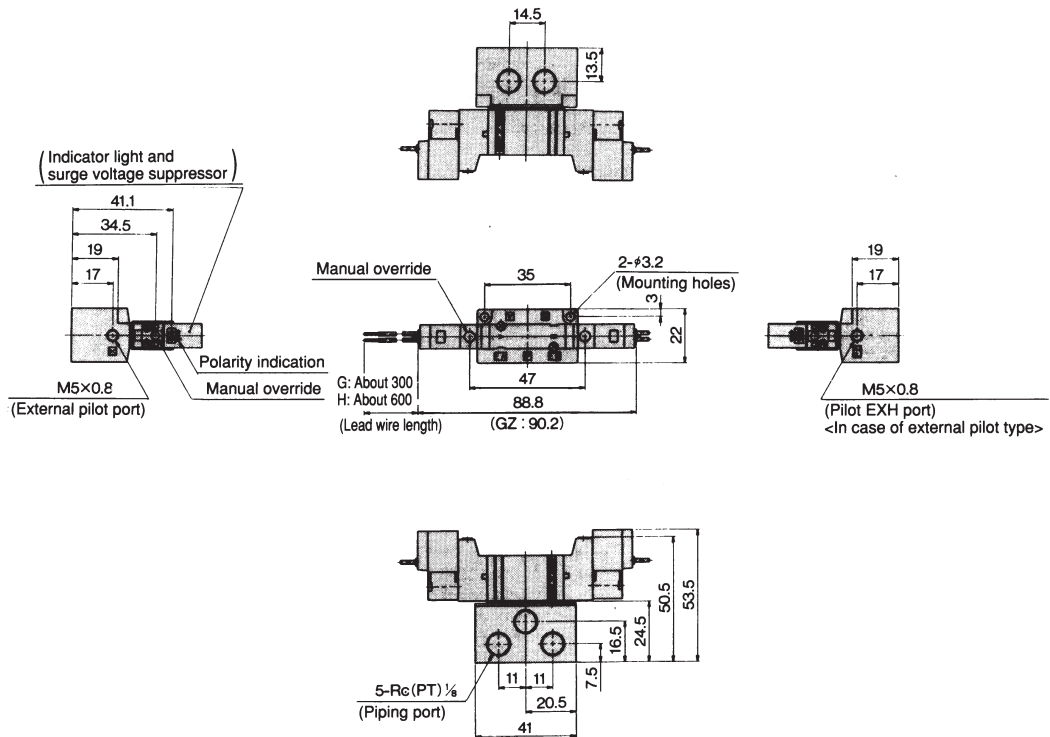
M type plug connector (M) : SY3140-□M□□-01



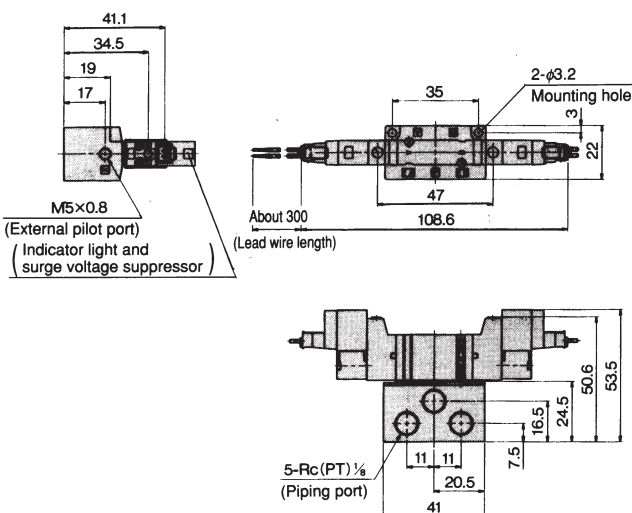
DIMENSIONS
SY3000

2 position double

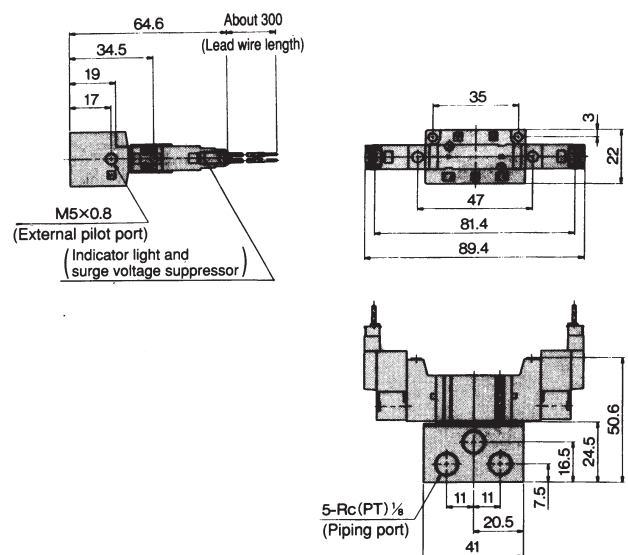
Grommet (G), (H) : SY3240-□^G□□-01



L type plug connector (L) : SY3240-□L□□-01



M type plug connector (M) : SY3240-□M□□-01



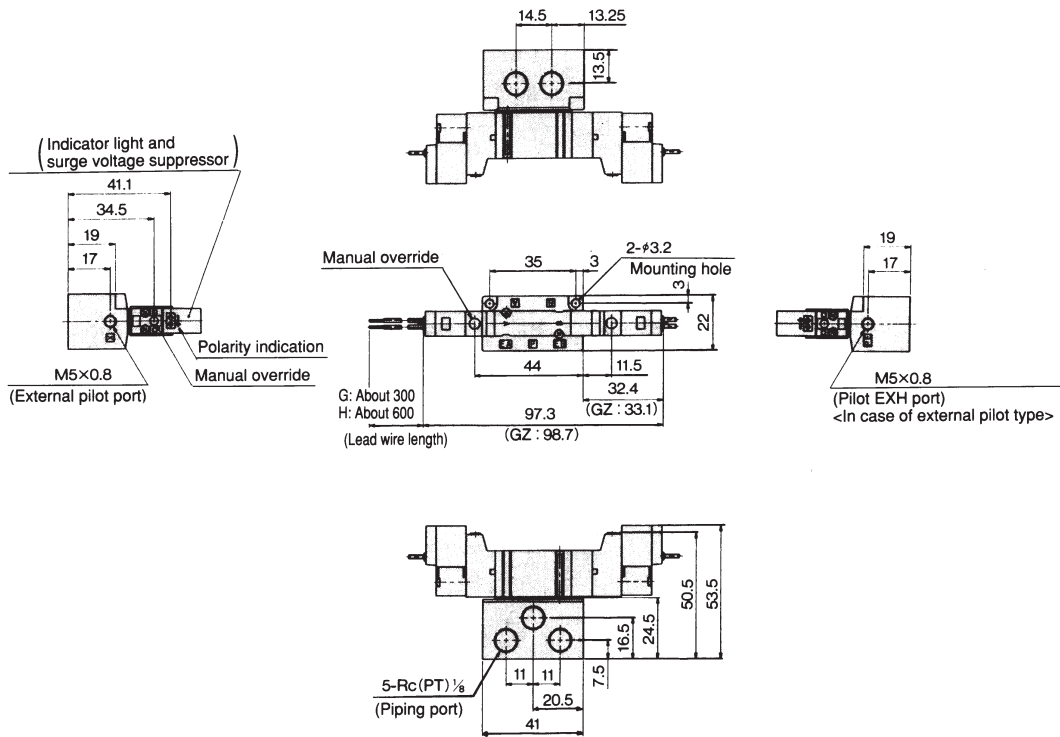
SEE INSIDE FRONT COVER FOR
DETAILS OF YOUR LOCAL SALES OFFICE



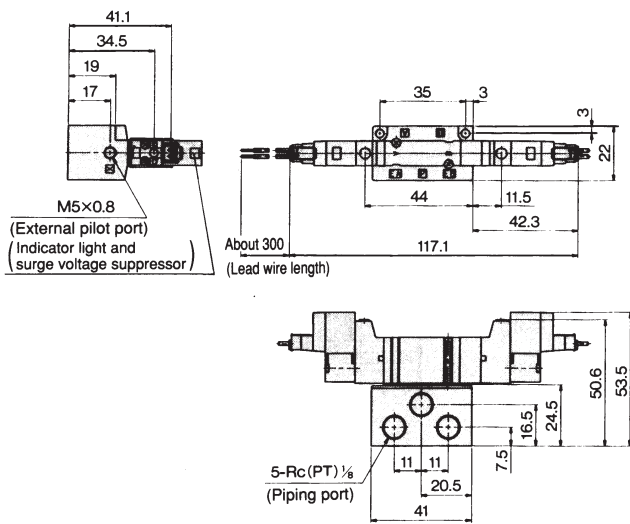
FOR FURTHER TECHNICAL
DETAILS ON THIS PRODUCT
REQUEST CATALOGUE
REFERENCE
E135-B

DIMENSIONS
SY3000

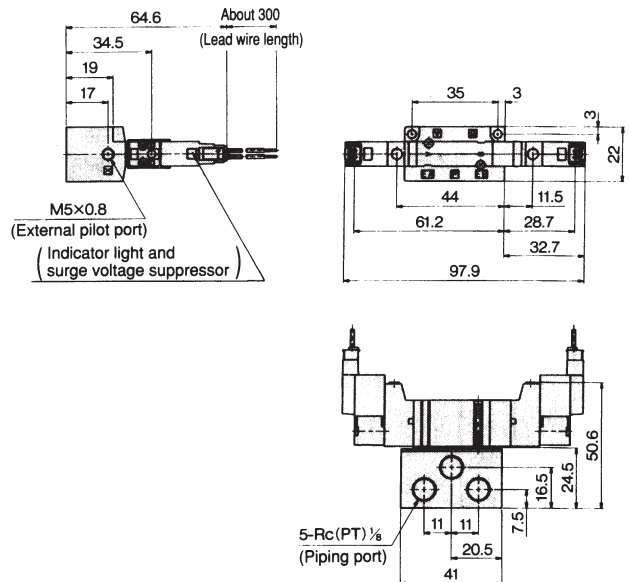
3 position closed center / exhaust center / pressure center
Grommet (G), (H) : SY3 $\frac{3}{8}$ 40-□ $\frac{G}{H}$ □□-01



L type plug connector (L) : SY3 $\frac{3}{8}$ 40-□L□□-01



M type plug connector (M) : SY3 $\frac{3}{8}$ 40-□M□□-01



SY VALVE CONNECTOR ASSEMBLIES

These are also applicable for use with SY 3 port valves, SYJ 3 port and SYJ 5 port valves with L or M type connectors. Grommet entry valves have hard wired cables and DIN connector valves have a separate series of plugs.

Connector housing only, unwired : SY100-29-1

Unshrouded leads with a grey connector are ordered as specified below.

SY100 — 30 —

TYPE

- 4A ...24VDC lead (Black and Red leads)
- 1A ...100VAC lead (Grey leads)
- 3A ...110VAC lead (Blue leads)

LENGTH

- Nil ...300mm
- 6600mm
- 15 ...1500mm
- 30 ...3000mm
- 50 ...5000mm

A shrouded lead with a connector boot in black, is ordered as specified below. Cable cores are Red and Black.

VJ10 — 51 — A —

LENGTH

- Nil ...300mm
- 6600mm
- 15 ...1500mm
- 30 ...3000mm
- 50 ...5000mm

DIN connectors specified on larger valve series, including SY5000 and SY7000 are specified as follows:

SY100 — 61 —

POLARITY

- 1Without light (no electronics)
- 2AC voltage
- 3DC voltage

VOLTAGE

- Nil ...Without electronics (SY100-61-1)
- 05 ...24VDC
- 06 ...12VDC
- 03 ...110VAC
- 04 ...230VAC

NOTE: All DIN plugs are supplied unwired and suitable shrouded cable diameters Ø3.5 to Ø7.0 can be used.

A conversion connector to use on SY* type valve with a lead from an older type VZ is available. Part No. SY100-85-2A (This is 100mm long).

FLOW CAPACITY OF SY SERIES VALVES

The flow capacity of these valves varies accordingly to the following factors:

- The function of the valve (2 position, 3 position, etc)
- Body ported or base mounted
- Port size

In addition, the flow capacity of the valve in the exhaust direction (from A or B to EA or EB ports) generally exceeds the inlet capacity from P to A or B.

The figures quoted below are on the following basis

Unit = Cv, Flow = From P to A or B ports, Position = 3 position valves in centre position

SY VALVES FLOW CAPACITY SUMMARY TABLE

Size	Valve Type	Model Number	Port Size	Cv	
SY3000	M5 Body Ported	SY3120	M5	0.20	
		SY3220	M5	0.20	
		SY3320	M5	0.20	
		SY3420	M5	0.20	
		SY3520	M5	0.16	
	C4 Body Ported	SY3120	4mm Tube	0.19	
		SY3220	4mm Tube	0.19	
		SY3320	4mm Tube	0.19	
		SY3420	4mm Tube	0.19	
		SY3520	4mm Tube	0.12	
	C6 Body Ported	SY3120	6mm Tube	0.20	
		SY3220	6mm Tube	0.20	
		SY3320	6mm Tube	0.20	
		SY3420	6mm Tube	0.21	
	Subbase Mounted	SY3520	6mm Tube	0.16	
		SY3140	Rc 1/8	0.27	
		SY3240	Rc 1/8	0.27	
		SY3340	Rc 1/8	0.26	
SY3440		Rc 1/8	0.27		
SY5000	1/8 Body Ported	SY5120	Rc 1/8	0.51	
		SY5220	Rc 1/8	0.51	
		SY5320	Rc 1/8	0.41	
		SY5420	Rc 1/8	0.42	
		SY5520	Rc 1/8	0.24	
		C4 Body Ported	SY5120	4mm Tube	0.31
	SY5220		4mm Tube	0.31	
	SY5320		4mm Tube	0.29	
	SY5420		4mm Tube	0.29	
	SY5520		4mm Tube	0.32	
	C6 Body Ported	SY5120	6mm Tube	0.50	
		SY5220	6mm Tube	0.50	
		SY5320	6mm Tube	0.40	
		SY5420	6mm Tube	0.41	
	C8 Body Ported	SY5520	6mm Tube	0.24	
		SY5140	8mm Tube	0.51	
		SY5240	8mm Tube	0.51	
		SY5340	8mm Tube	0.41	
SY5440		8mm Tube	0.41		
Subbase Mounted	SY5540	8mm Tube	0.44		
	SY5140	Rc 1/4	0.71		
	SY5240	Rc 1/4	0.71		
	SY5340	Rc 1/4	0.42		
	SY5440	Rc 1/4	0.44		
	SY5540	Rc 1/4	0.25		
	SY7000	1/4 Body Ported	SY7120	Rc 1/4	0.90
			SY7220	Rc 1/4	0.90
SY7320			Rc 1/4	0.67	
SY7420			Rc 1/4	0.66	
SY7520			Rc 1/4	0.62	
C8 Body Ported		SY7120	8mm Tube	0.77	
		SY7220	8mm Tube	0.77	
		SY7320	8mm Tube	0.64	
		SY7420	8mm Tube	0.62	
		SY7520	8mm Tube	0.59	
C10 Body Ported		SY7120	10mm Tube	0.88	
		SY7220	10mm Tube	0.88	
		SY7320	10mm Tube	0.68	
		SY7420	10mm Tube	0.66	
Subbase Mounted		SY7520	10mm Tube	0.62	
		SY7140	Rc 1/4	1.29	
		SY7240	Rc 1/4	1.29	
		SY7340	Rc 1/4	0.78	
	SY7440	Rc 1/4	0.78		
Subbase Mounted	SY7540	Rc 1/4	0.75		
	SY7140	Rc 3/8	1.29		
	SY7240	Rc 3/8	1.29		
	SY7340	Rc 3/8	0.78		
	SY7440	Rc 3/8	0.78		
SY7540	Rc 3/8	0.75			



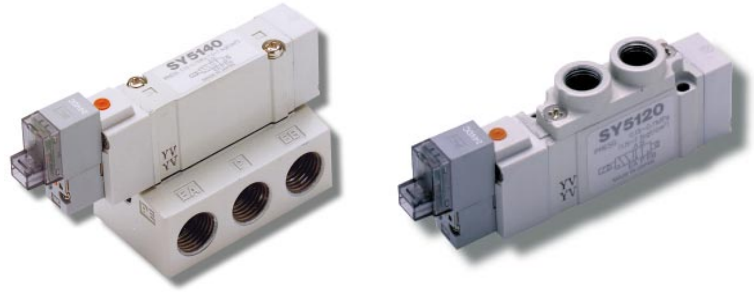
SEE INSIDE FRONT COVER FOR
DETAILS OF YOUR LOCAL SALES OFFICE



FOR FURTHER TECHNICAL
DETAILS ON THIS PRODUCT
REQUEST CATALOGUE
REFERENCE
E135-B

5 PORT SOLENOID VALVE SERIES SY5000

- ✓ High flow capacity
- ✓ Low power consumption
- ✓ Fast response
- ✓ Life expectancy over 50 million cycles
- ✓ Body ported and base mounted versions
- ✓ Compact and lightweight
- ✓ Threaded or one touch fittings
- ✓ Wide range of manifold options
- ✓ Internal pilot exhaust is standard

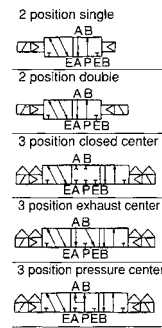


TECHNICAL SPECIFICATIONS

Fluid		Air
Operating Pressure	2 Position single solenoid	1.5 - 7.1 kgf/cm ² (0.15 - 0.7MPa)
	2 position double solenoid	1.0 - 7.1 kgf/cm ² (0.1 - 0.7MPa)
	3 Position valve	2.0 - 7.1 kgf/cm ² (0.2 - 0.7MPa)
Ambient and fluid temperature (°C)		-10°C ~ +50°C
Max. operating frequency	2 position valve	5Hz
	3 position valve	3Hz
Lubrication		Not required
Mounting position		Free
Response time (at 5.1kgf/cm ²) with lamp and surge voltage suppressor)	2 position single solenoid	18ms
	2 position double solenoid	15ms
	3 position valve	28ms
Power consumption	24VDC	0.55W with LED
	110VAC	1.1VA with LED
	230VAC	2.3VA with LED
Allowable voltage variation		±10%
Flow capacity		Cv 0.5 (See separate table under SY3000)

NOTE: External pilot versions of body ported and base mounted SY5000 valves are available. Please contact your local SMC Regional Centre for details.

SYMBOLS



HOW TO ORDER

SOLENOID VALVE SERIES SY5000

SY5 ● ● 0 — ● ● ● ● — ● — ● — Q

ACTUATION

- 12 position single solenoid
- 22 position double solenoid
- 33 position closed centre
- 43 position exhaust centre
- 53 position pressure centre

MOUNTING

- 2Body ported
- 4Base mounted

VOLTAGE

- 524VDC
- 612VDC
- V6VDC
- S5VDC
- R3VDC
- 3110VAC
- 4230VAC
- B24VAC

ELECTRICAL ENTRY

Grommet	L type plug connector		M type plug connector		DIN connector
G: Lead wire length: 300mm	L: With lead wire (Length: 300mm)	LN: Without lead wire	M: With lead wire (Length: 300mm)	MN: Without lead wire	(SY5000,7000 only) D: With connector

MOUNTING BRACKET

- (For SY5*20 valve)
 Nil ...Without
 F1 ...End bracket (Single solenoid type only)
 F2 ...Side bracket

PORT SIZE

- (For SY5*20 valves only)
 01 ...Rc 1/8 threaded
 C4 ...4mm one touch fitting
 C6 ...6mm one touch fitting
 C8 ...8mm one touch fitting

MANUAL OVERRIDE

- Nil ...Push button momentary
- DSlotted locking type
- ELever locking type

LAMP AND SURGE PROTECTION

- Nil ...Without
- SWith surge protection
- ZWith LED and surge protection

STOCKED PRODUCTS
 FOR A LIST OF STOCKED PRODUCTS,
 PLEASE SEE THE CURRENT SMC PRICE LIST



FOR FURTHER TECHNICAL
 DETAILS ON THIS PRODUCT
 REQUEST CATALOGUE
 REFERENCE
 E135-B

ACCESSORIES

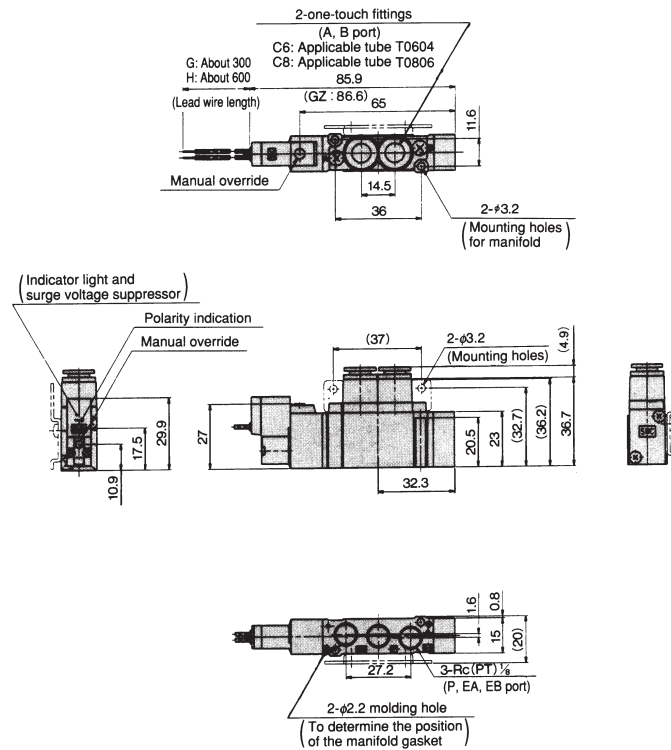
Connector series-please see SY3000 section
 Single subbase = SY5000-27-1
 SY5*20 porting block-1/8" = SY5000-6A-01
 SY5*20 porting block-4mm = SY5000-6A-C4
 SY5*20 porting block-6mm = SY5000-6A-C6
 SY5*20 porting block-8mm = SY5000-6A-C8
 Side mounting bracket = SX5000-16-1A
 Foot mounting bracket = SX5000-16-2A

APPLICABLE MANIFOLDS FOR SY5000
SERIES VALVES

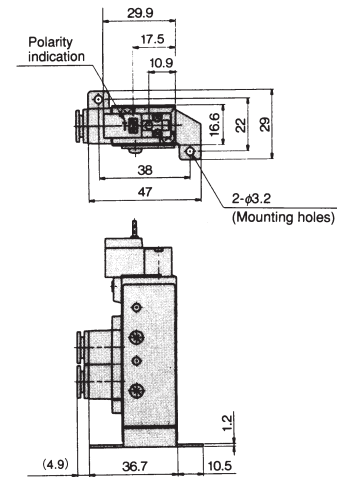
SS5Y5-20For body ported valve
 SS5Y5-20P.....For body ported valve
 SS5Y5-41For base mounted valves
 SS5Y5-42For base mounted valves
 SS5Y5-41P.....For base mounted valves
 SS5Y5-42P.....For base mounted valves
 SS5Y5-45Valves differ, please separate section for details of valves and manifolds

DIMENSIONS
SY5000

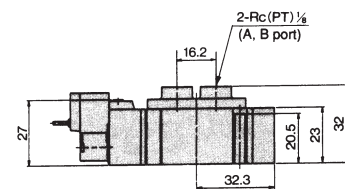
2 position single
Grommet (G), (H) : SY5120-□^G□^H□□-C₆-C₈ (-F2)



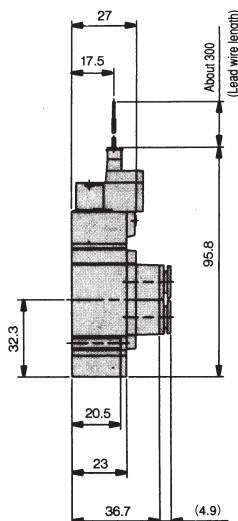
In case of with foot bracket
SY5120-□^G□^H□□-C8-F1



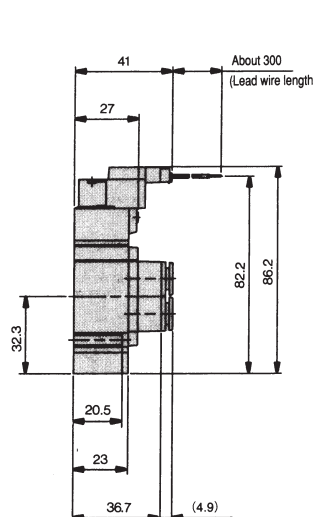
SY5120-□^G□^H□□-01



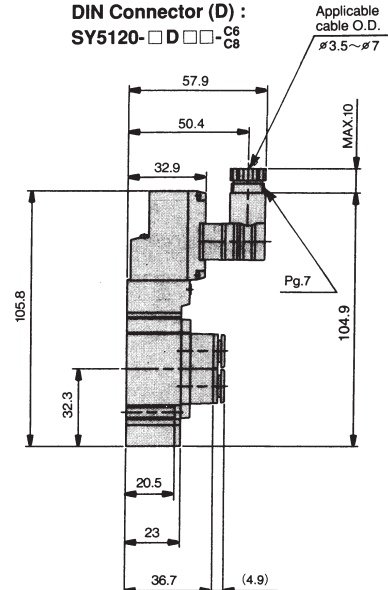
L Type Plug Connector (L) :
SY5120-□ L □□-C₆-C₈



M Type Plug Connector (M) :
SY5120-□ M □□-C₆-C₈



DIN Connector (D) :
SY5120-□ D □□-C₆-C₈



SEE INSIDE FRONT COVER FOR
DETAILS OF YOUR LOCAL SALES OFFICE

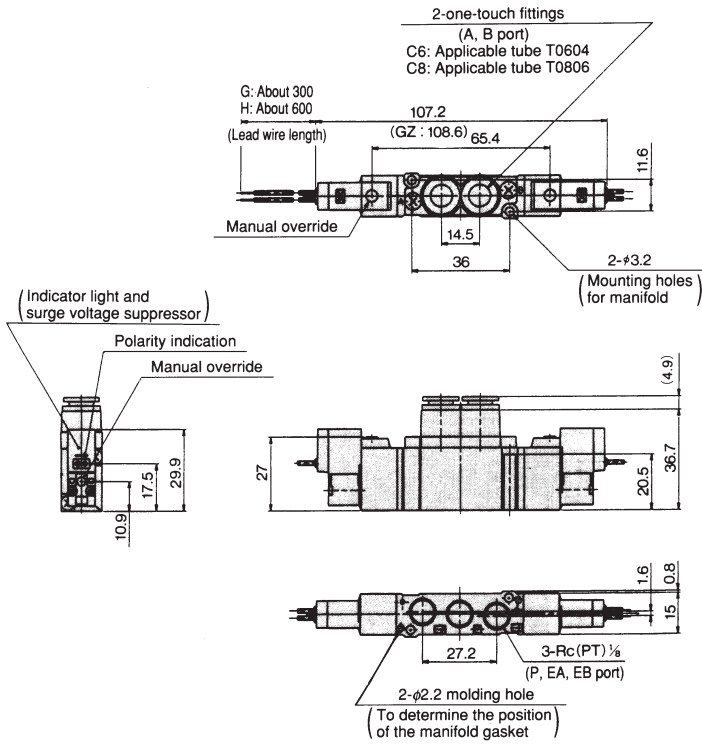


FOR FURTHER TECHNICAL
DETAILS ON THIS PRODUCT
REQUEST CATALOGUE
REFERENCE
E135-B

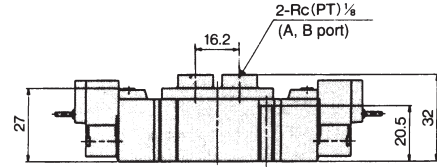
DIMENSIONS
SY5000

2 position double

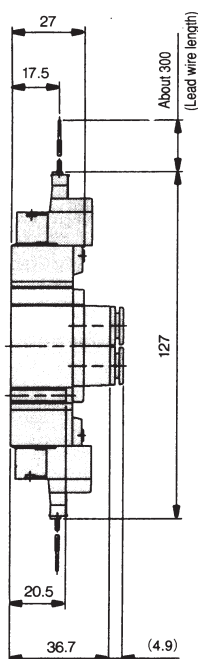
Grommet (G), (H) : SY5220-□^G_H□□-C^{C6}_{C8}



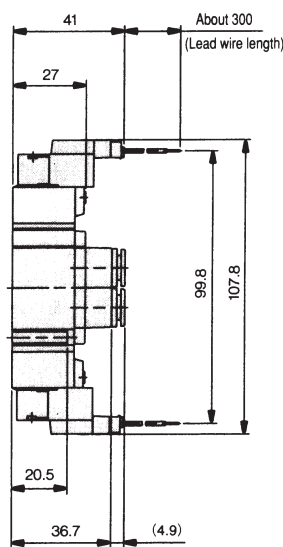
SY5220-□^G_H□□-01



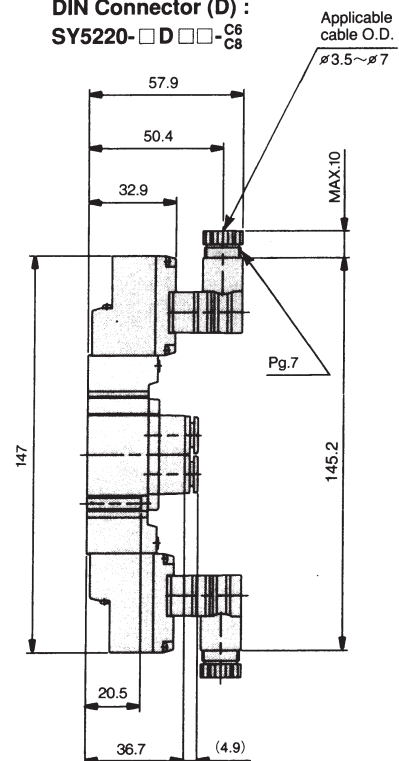
L Type Plug Connector (L) :
SY5220-□L□□-C^{C6}_{C8}



M Type Plug Connector (M) :
SY5220-□M□□-C^{C6}_{C8}



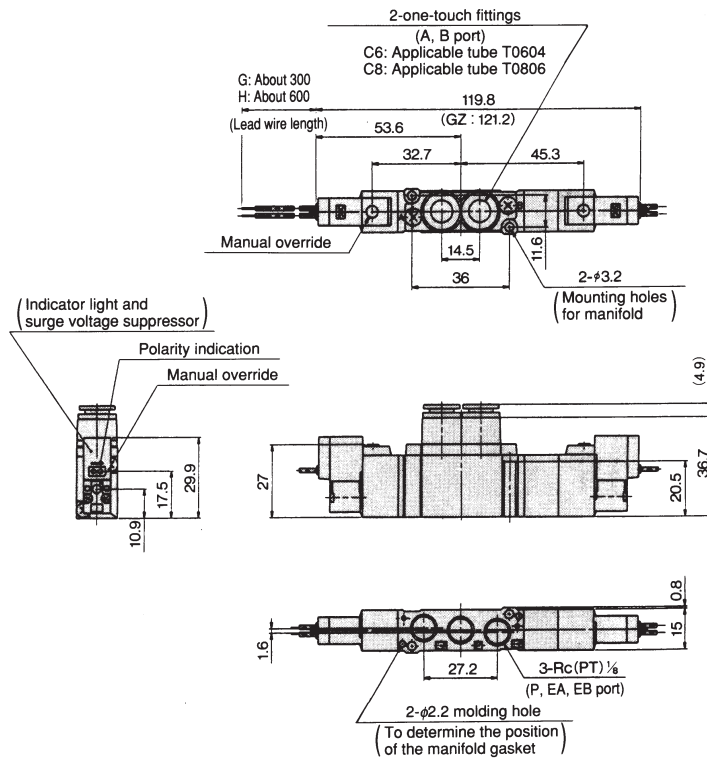
DIN Connector (D) :
SY5220-□D□□-C^{C6}_{C8}



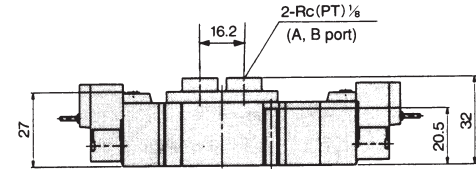
DIMENSIONS
SY5000

3 position closed center / exhaust center / pressure center

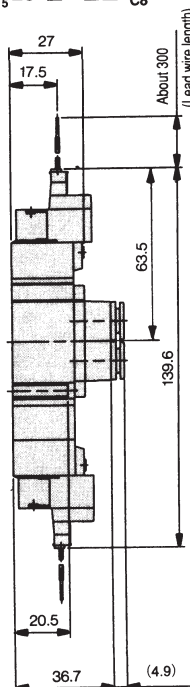
Grommet (G), (H) : SY5 $\frac{3}{5}$ 20-□ $\frac{G}{H}$ □□-C $\frac{6}{8}$



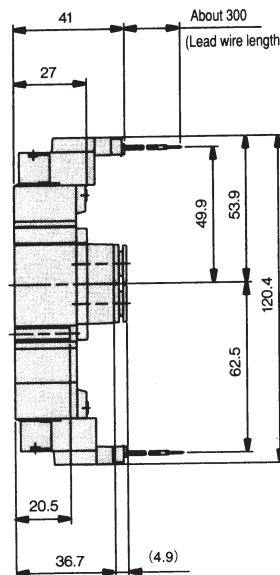
SY5 $\frac{3}{5}$ 20-□ $\frac{G}{H}$ □□-01



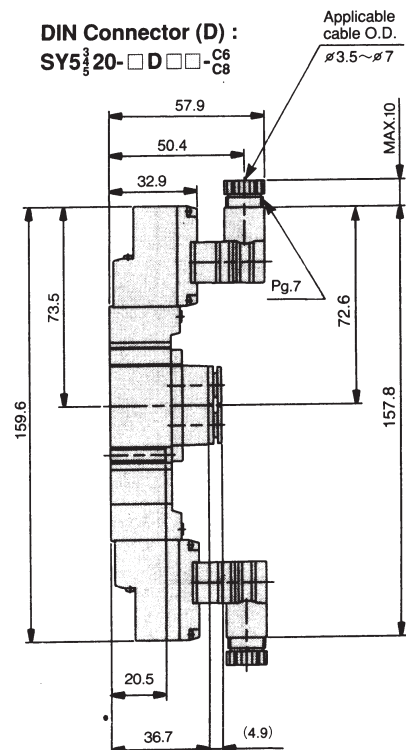
L Type Plug Connector (L) :
SY5 $\frac{3}{5}$ 20-□L□□-C $\frac{6}{8}$



M Type Plug Connector (M) :
SY5 $\frac{3}{5}$ 20-□M□□-C $\frac{6}{8}$



DIN Connector (D) :
SY5 $\frac{3}{5}$ 20-□D□□-C $\frac{6}{8}$



SEE INSIDE FRONT COVER FOR
DETAILS OF YOUR LOCAL SALES OFFICE



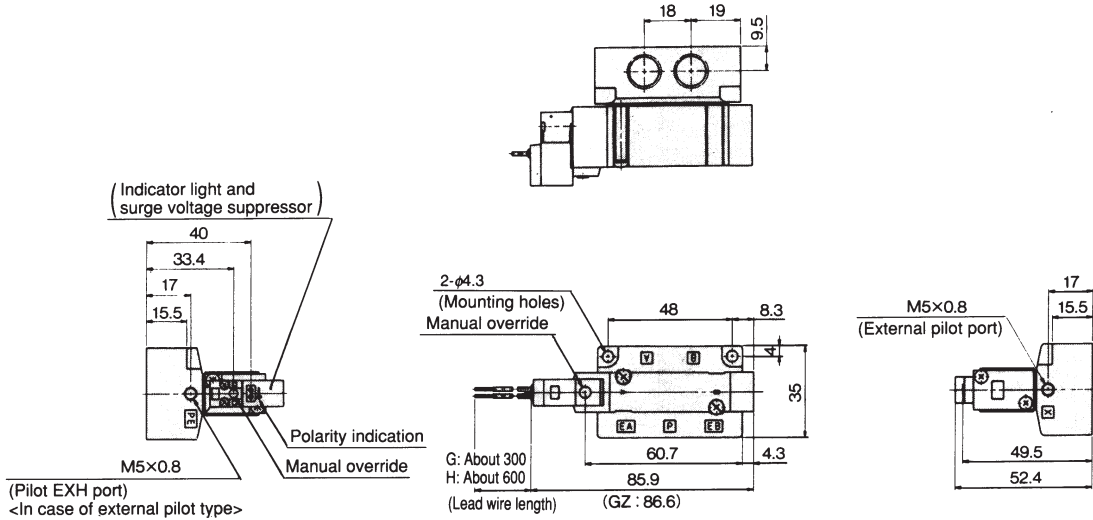
FOR FURTHER TECHNICAL
DETAILS ON THIS PRODUCT
REQUEST CATALOGUE
REFERENCE
E135-B

DIMENSIONS
SY5000

2 position single

Grommet (G), (H) : SY5140-□^G□□-02

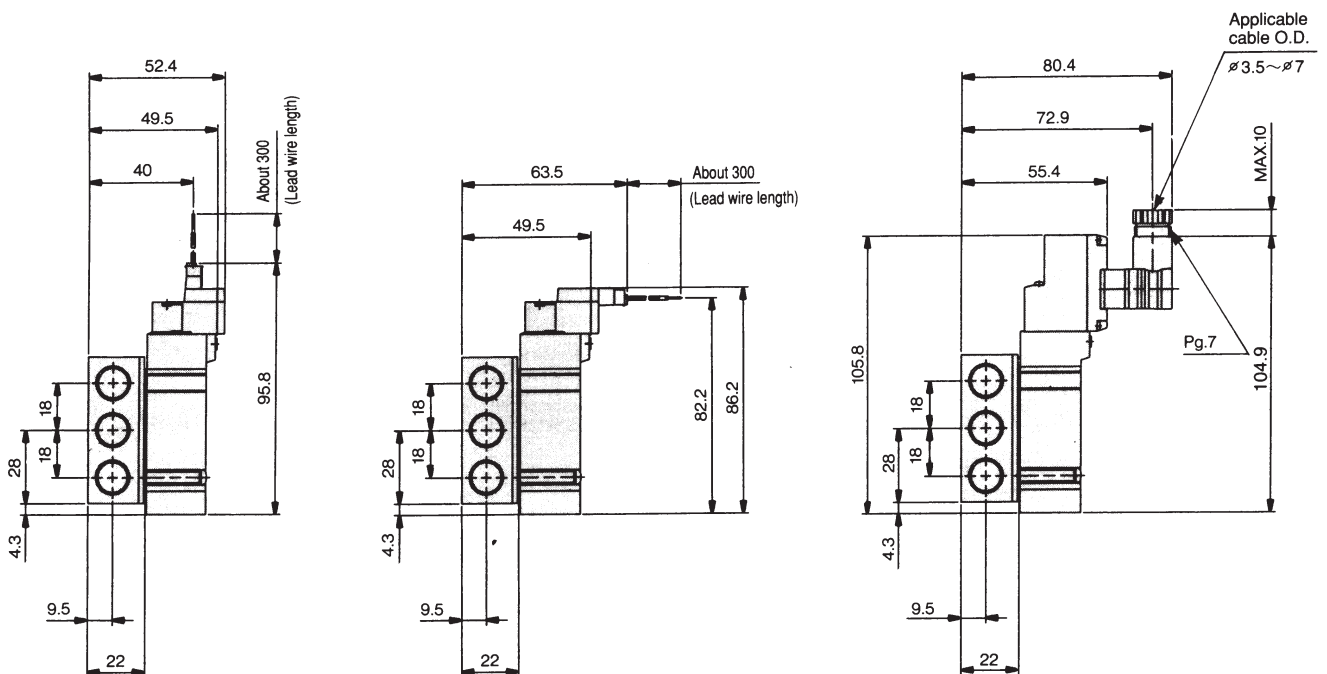
Valves



L Type Plug Connector (L) :
SY5140-□L□□-02

M Type Plug Connector (M) :
SY5140-□M□□-02

DIN Connector (D) :
SY5140-□D□□-02

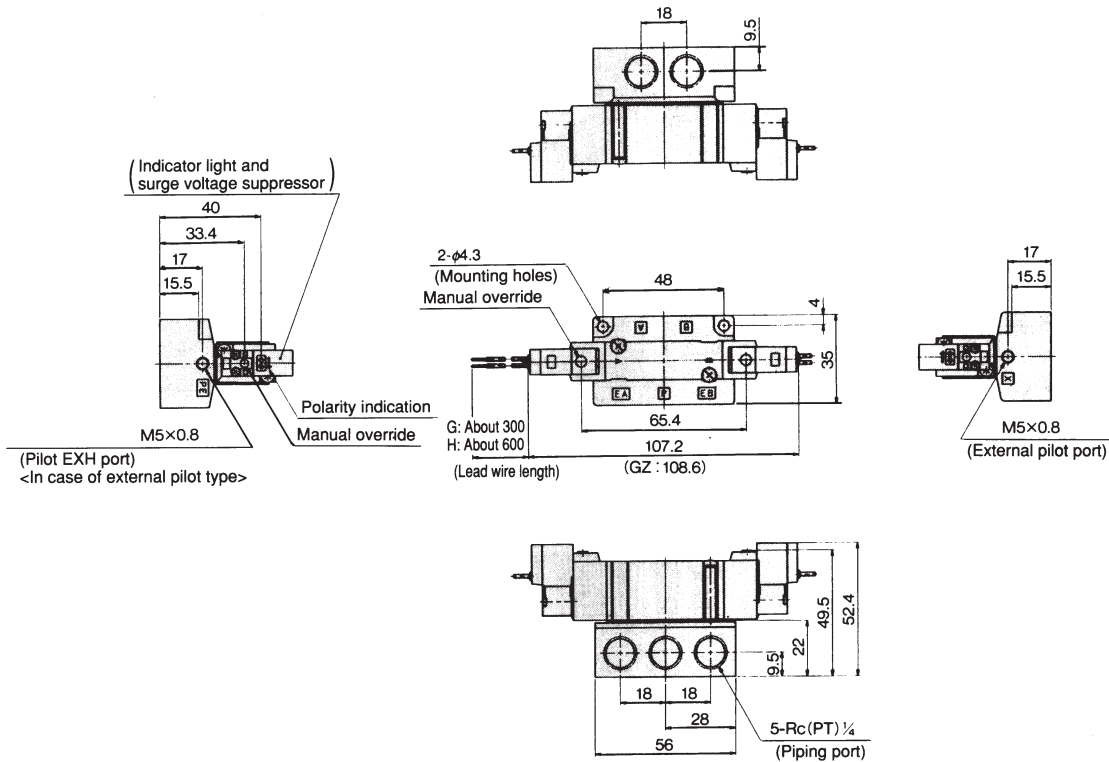


FOR FURTHER TECHNICAL
DETAILS ON THIS PRODUCT
REQUEST CATALOGUE
REFERENCE
E135-B

DIMENSIONS
SY5000

2 position double

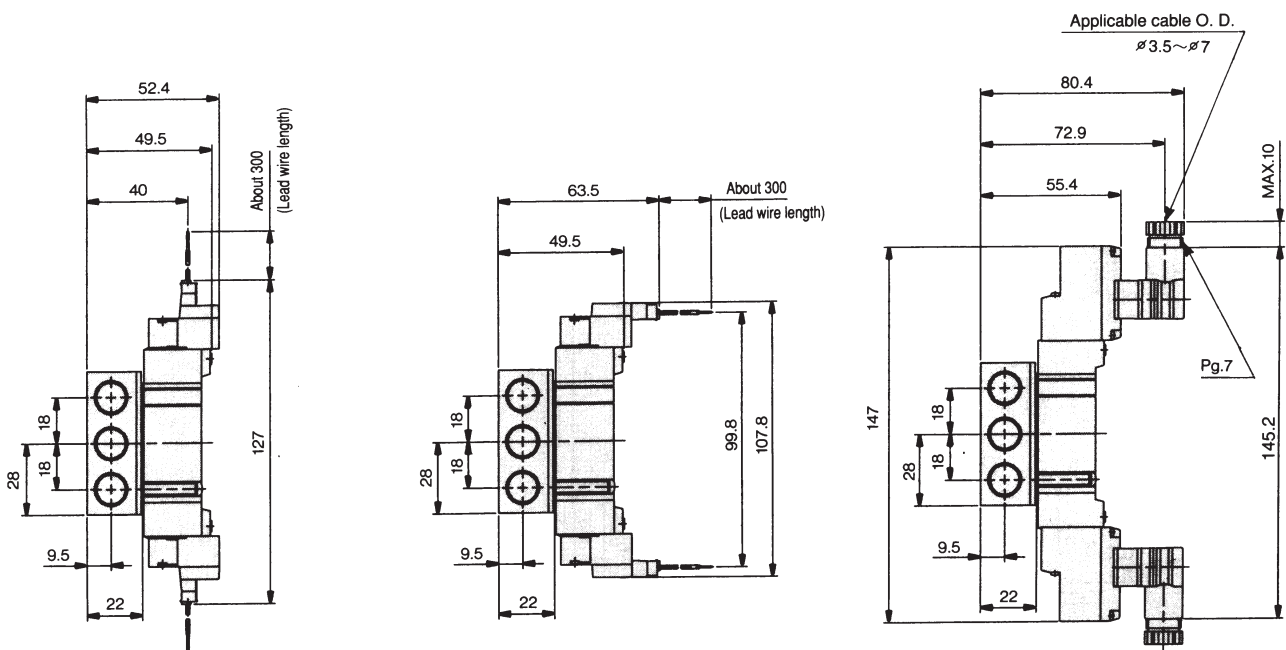
Grommet (G), (H) : SY5240-□^G□□-02



L Type Plug Connector (L) :
SY5240-□L□□-02

M Type Plug Connector (M) :
SY5240-□M□□-02

DIN Connector (D) :
SY5240-□D□□-02



SEE INSIDE FRONT COVER FOR
DETAILS OF YOUR LOCAL SALES OFFICE

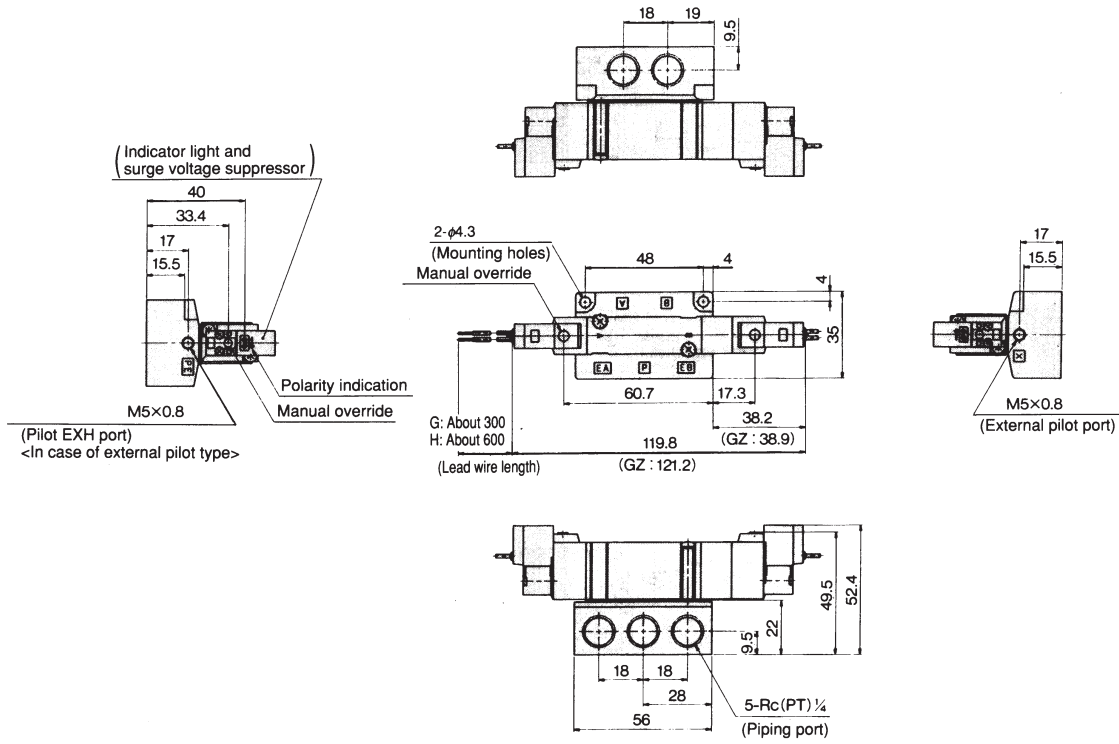


FOR FURTHER TECHNICAL
DETAILS ON THIS PRODUCT
REQUEST CATALOGUE
REFERENCE
E135-B

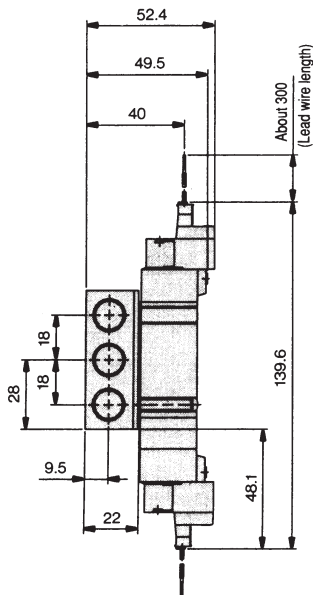
DIMENSIONS
SY5000

3 position closed center / exhaust center / pressure center

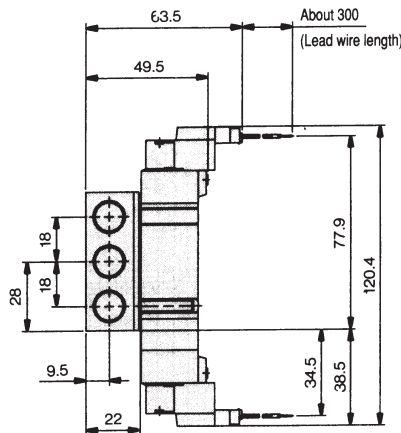
Grommet (G), (H) : SY5 $\frac{3}{8}$ 40-□_G□□-02



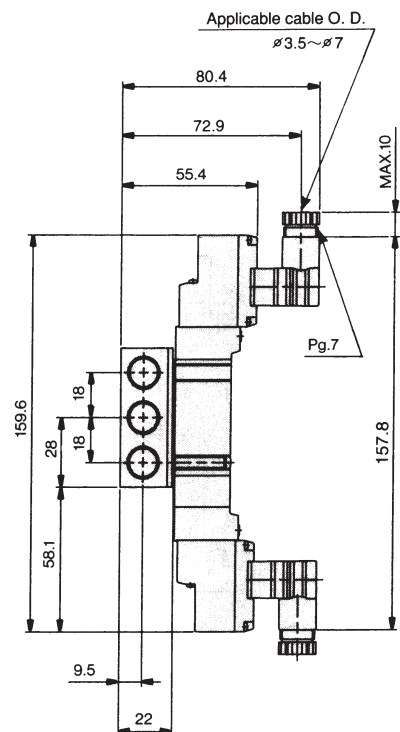
L Type Plug Connector (L) :
SY5 $\frac{3}{8}$ 40-□L□□-02



M Type Plug Connector (M) :
SY5 $\frac{3}{8}$ 40-□M□□-02



DIN Connector (D) :
SY5 $\frac{3}{8}$ 40-□D□□-02



5 PORT SOLENOID VALVE SERIES SY7000

- ✓ High flow capacity
- ✓ Low power consumption
- ✓ Fast response
- ✓ Life expectancy over 50 million cycles
- ✓ Body ported and base mounted versions
- ✓ Compact and lightweight
- ✓ Threaded or one touch fittings
- ✓ Wide range of manifold options
- ✓ Internal pilot exhaust is standard



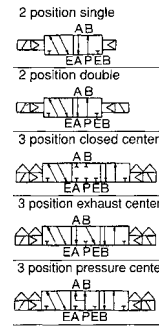
Valves

TECHNICAL SPECIFICATIONS

Fluid	Air	
Operating Pressure	2 Position single solenoid	1.5 - 7.1kgf/cm ² (0.15-0.7MPa)
	2 position double solenoid	1.0 - 7.1kgf/cm ² (0.1 - 0.7MPa)
	3 Position valve	2.0 - 7.1 kg/cm ² (0.2 - 0.7MPa)
Ambient and fluid temperature (°C)	-10°C ~ +50°C	
Max. operating frequency	2 position valve	5Hz
	3 position valve	3Hz
Lubrication	Not required	
Mounting position	Free	
Response time (at 5.1kgf/cm ² with lamp and surge voltage suppressor)	2 position single solenoid	30ms
	2 position double solenoid	25ms
	3 position valve	45ms
Power consumption	24VDC	0.55W with LED
	110VAC	1.1VA with LED
	230VAC	2.3VA with LED
Allowable voltage variation	±10%	
Flow capacity	Cv 0.7-1.2 (See separate table under SY3000)	

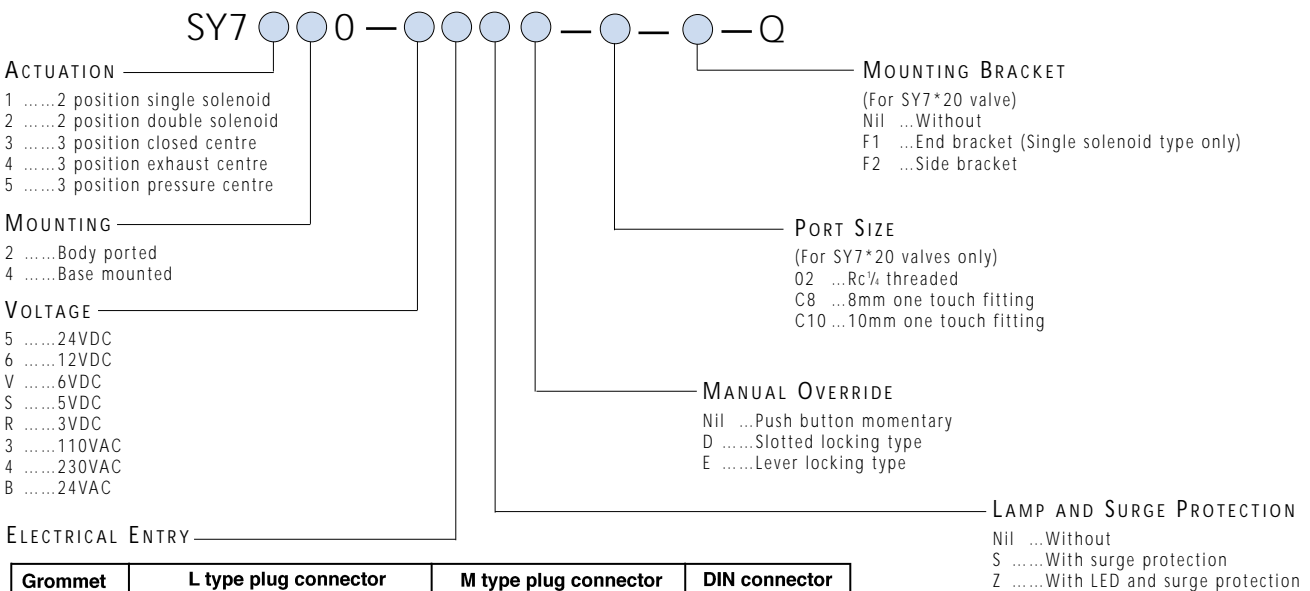
NOTE: External pilot versions of these valves are also available. Please contact your local SMC Regional Centre for details.

SYMBOLS



HOW TO ORDER

SOLENOID VALVE SERIES SY7000



STOCKED PRODUCTS
FOR A LIST OF STOCKED PRODUCTS, PLEASE SEE THE CURRENT SMC PRICE LIST



SEE INSIDE FRONT COVER FOR
DETAILS OF YOUR LOCAL SALES OFFICE



FOR FURTHER TECHNICAL
DETAILS ON THIS PRODUCT
REQUEST CATALOGUE
REFERENCE
E135-B

ACCESSORIES

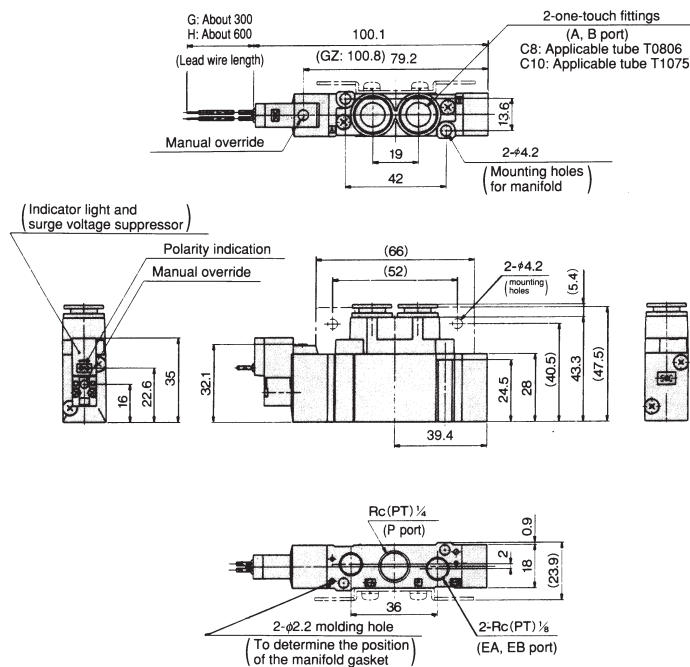
Connector series-please see SY3000 section
 Single subbase = (Rc $\frac{1}{4}$ port) SY7000-27-1
 Single subbase = (Rc $\frac{1}{8}$ port) SY7000-27-2
 SY7*20 porting block- $\frac{1}{4}$ = SY7000-6A-02
 SY7*20 porting block-8mm = SY7000-6A-C8
 SY5*20 porting block-10mm = SY7000-6A-C10
 Side mounting bracket = SX7000-16-1A
 Foot mounting bracket = SX7000-16-2A

APPLICABLE MANIFOLDS FOR SY7000
SERIES VALVES

SS5Y7-20For body ported valve
 SS5Y7-20P.....For body ported valve
 SS5Y7-42For base mounted valves
 SS5Y7-42P.....For base mounted valves

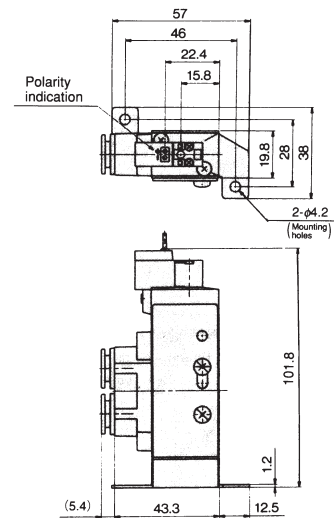
DIMENSIONS
SY7000

2 position single
Grommet (G), (H) : SY7120-□^G□^H□-C⁸_{C10} (-F2)

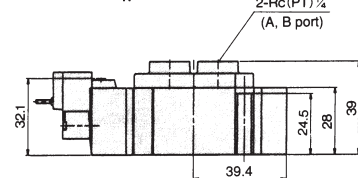


In case of with foot bracket

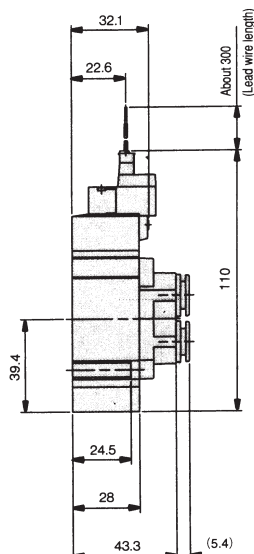
SY7120-□^G□^H□-C⁸_{C10}-F1



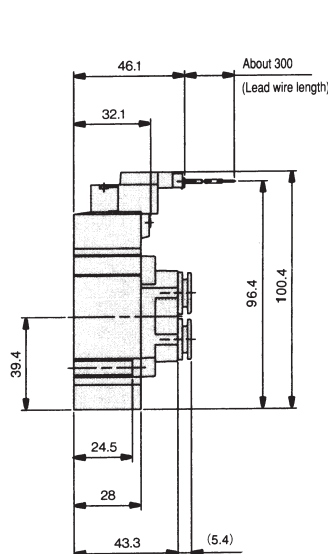
SY7120-□^G□^H□-02



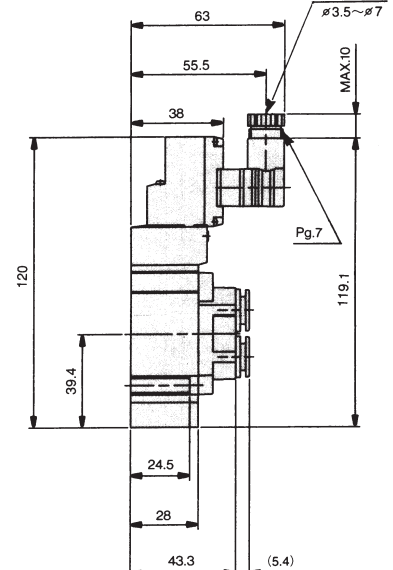
L Type Plug Connector (L) :
SY7120-□L□□-C⁸_{C10}



M Type Plug Connector (M) :
SY7120-□M□□-C⁸_{C10}



DIN Connector (D) :
SY7120-□D□□-C⁸_{C10}

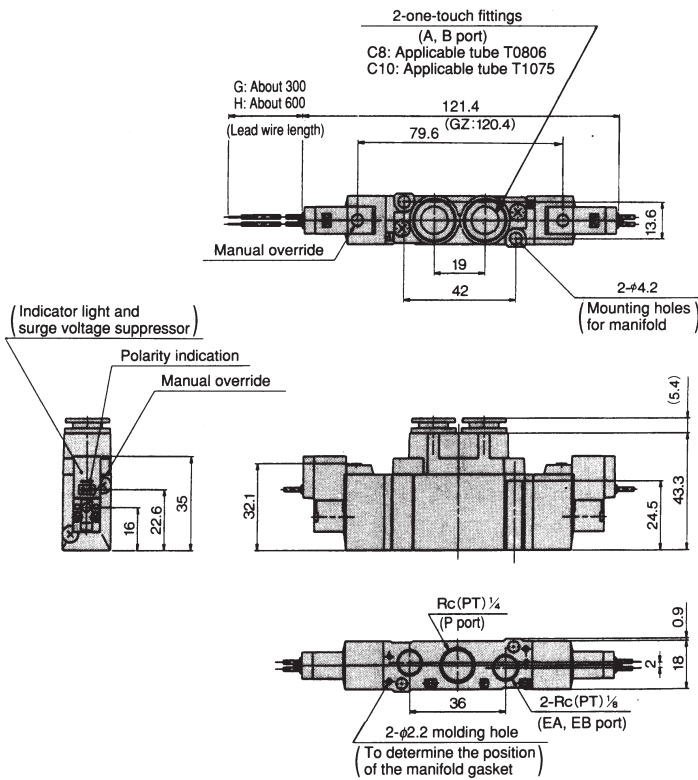


FOR FURTHER TECHNICAL
DETAILS ON THIS PRODUCT
REQUEST CATALOGUE
REFERENCE
E135-B

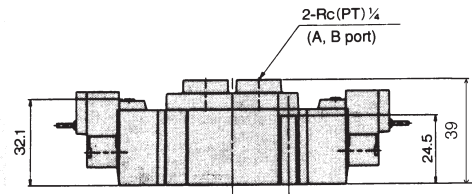
DIMENSIONS
SY7000

2 position double

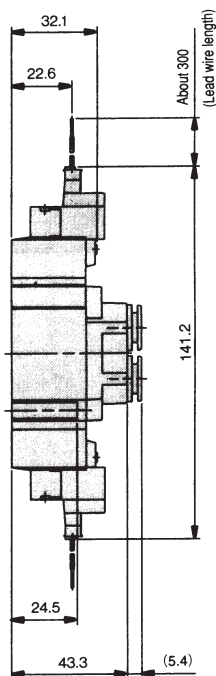
Grommet (G), (H) : SY7220-□^G□□□-C⁸_{C10}



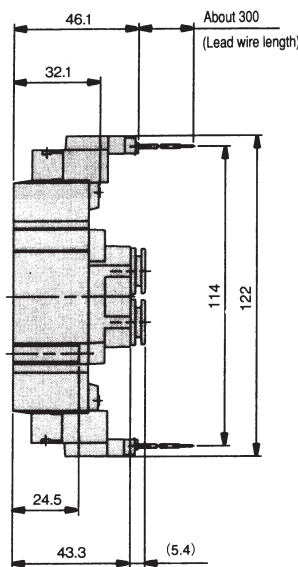
SY7220-□^G□□□-02



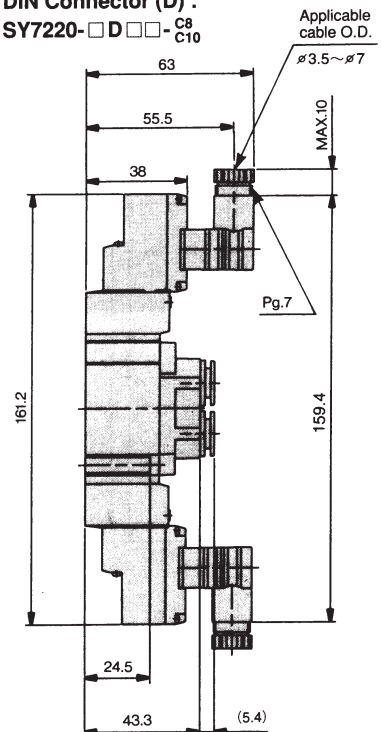
L Type Plug Connector (L) :
SY7220-□L□□□-C⁸_{C10}



M Type Plug Connector (M) :
SY7220-□M□□□-C⁸_{C10}



DIN Connector (D) :
SY7220-□D□□□-C⁸_{C10}



SEE INSIDE FRONT COVER FOR
DETAILS OF YOUR LOCAL SALES OFFICE



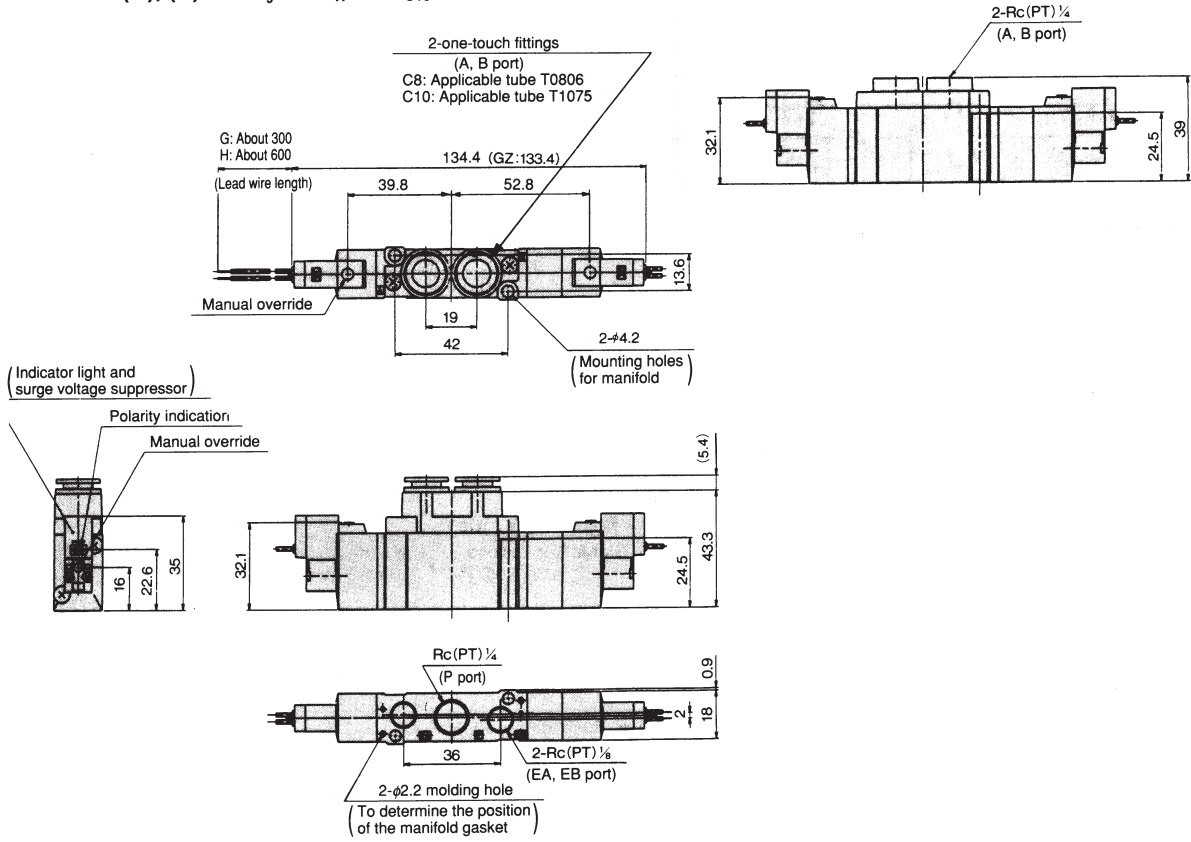
FOR FURTHER TECHNICAL
DETAILS ON THIS PRODUCT
REQUEST CATALOGUE
REFERENCE
E135-B

DIMENSIONS
SY7000

3 position closed center / exhaust center / pressure center

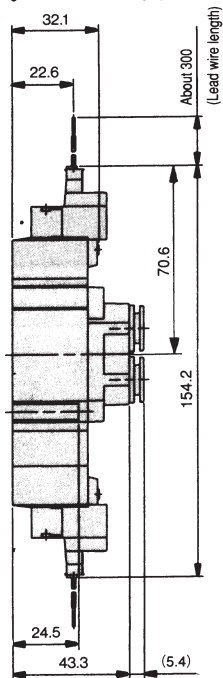
Grommet (G), (H) : SY7 $\frac{3}{4}$ 20-□^G□□□-^{C8}_{C10}

SY7 $\frac{3}{4}$ 20-□^G□□□-02



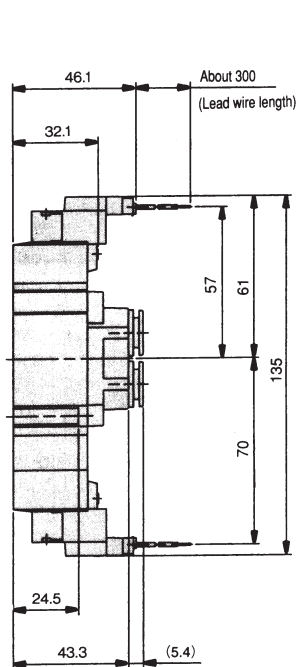
L Type Plug Connector (L) :

SY7 $\frac{3}{4}$ 20-□^L□□□-^{C8}_{C10}



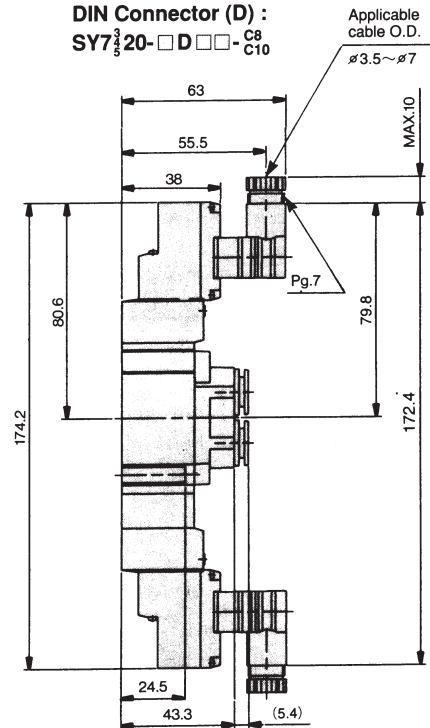
M Type Plug Connector (M) :

SY7 $\frac{3}{4}$ 20-□^M□□□-^{C8}_{C10}



DIN Connector (D) :

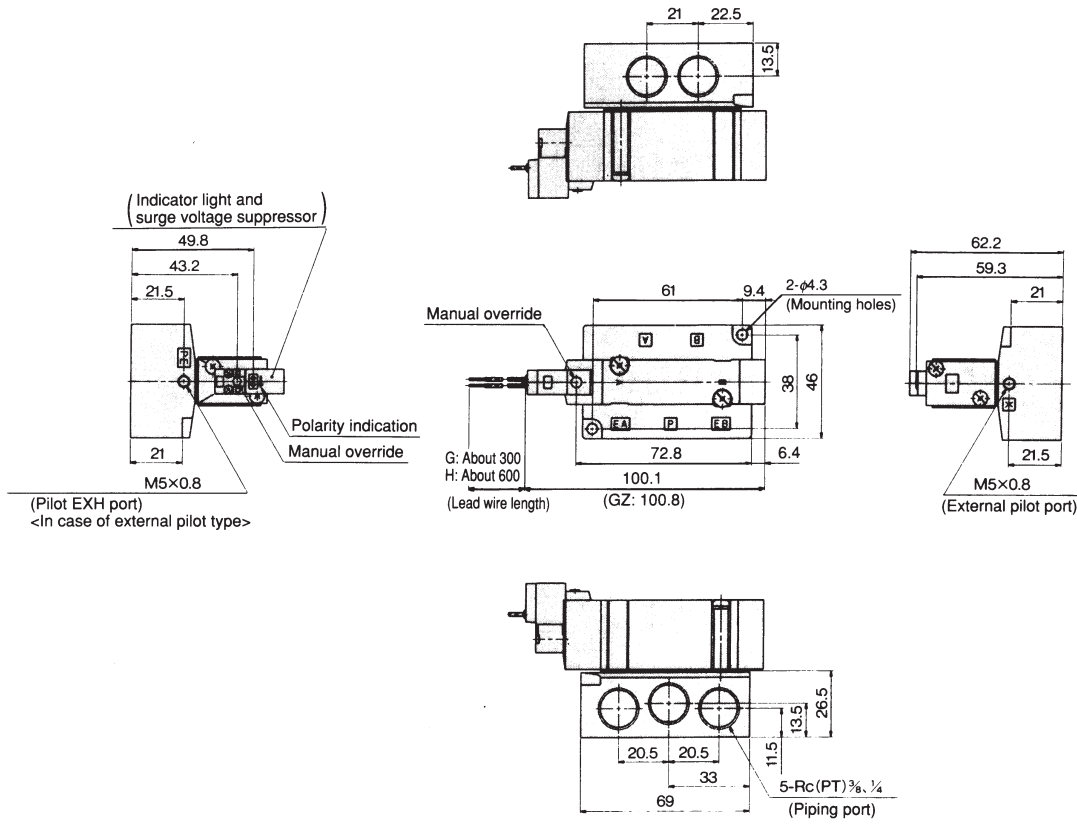
SY7 $\frac{3}{4}$ 20-□^D□□□-^{C8}_{C10}



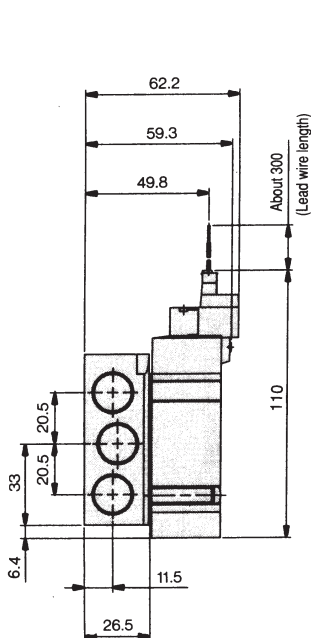
DIMENSIONS
SY7000

2 position single

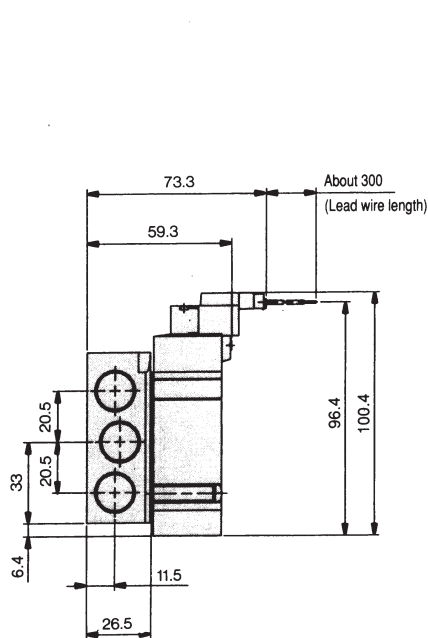
Grommet (G), (H) : SY7140-□^G□□-02
□□-03



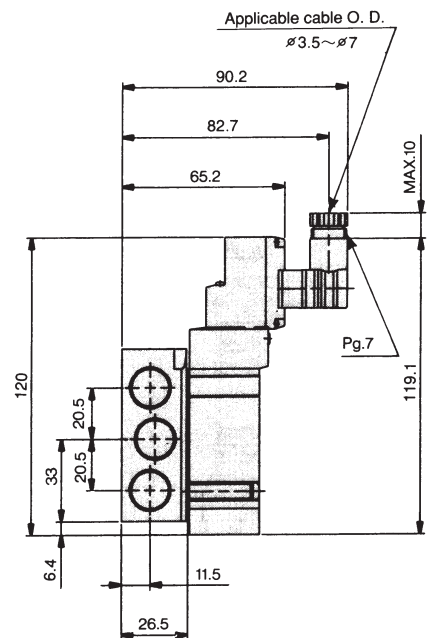
L Type Plug Connector (L) :
SY7140-□L□□-02
□□-03



M Type Plug Connector (M) :
SY7140-□M□□-02
□□-03



DIN Connector (D) :
SY7140-□D□□-02
□□-03



SEE INSIDE FRONT COVER FOR
DETAILS OF YOUR LOCAL SALES OFFICE

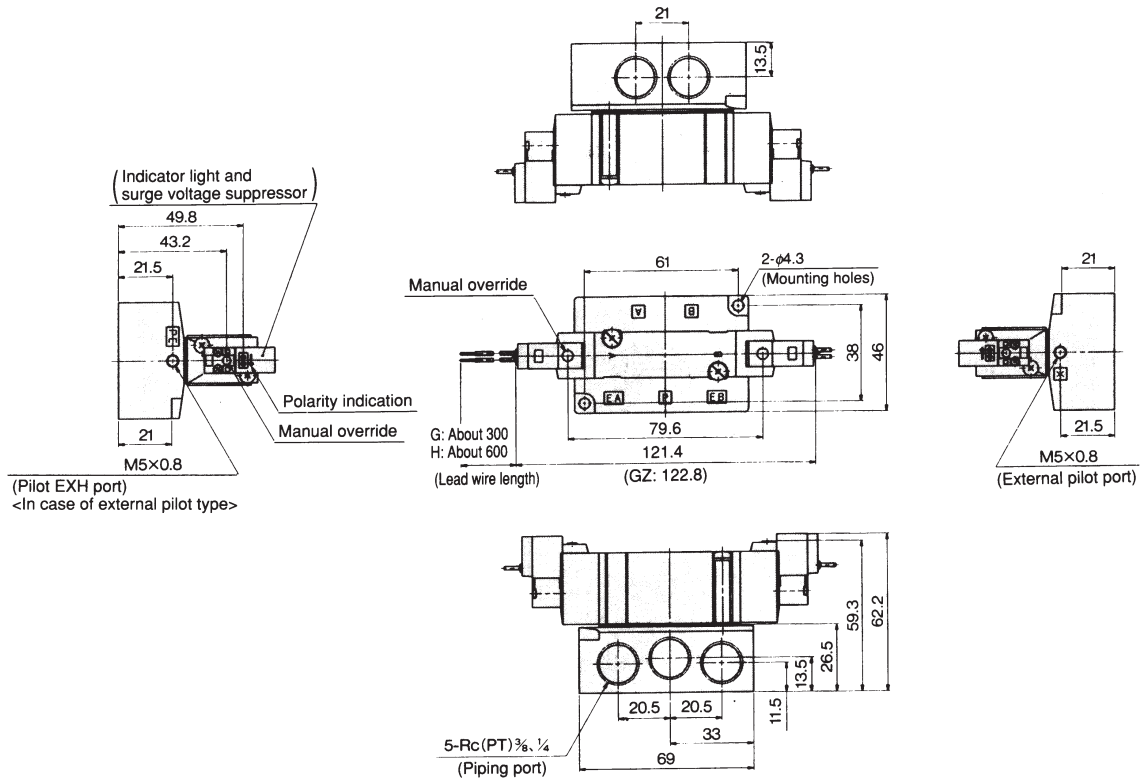


FOR FURTHER TECHNICAL
DETAILS ON THIS PRODUCT
REQUEST CATALOGUE
REFERENCE
E135-B

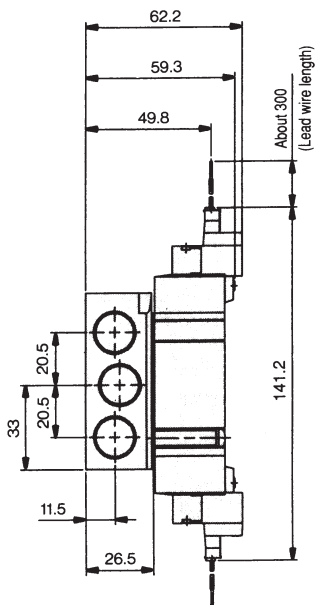
DIMENSIONS
SY7000

2 position double

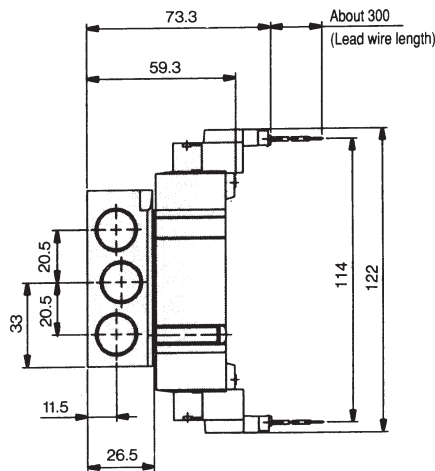
Grommet (G), (H) : SY7240-□_G□□-02
□_H□□-03



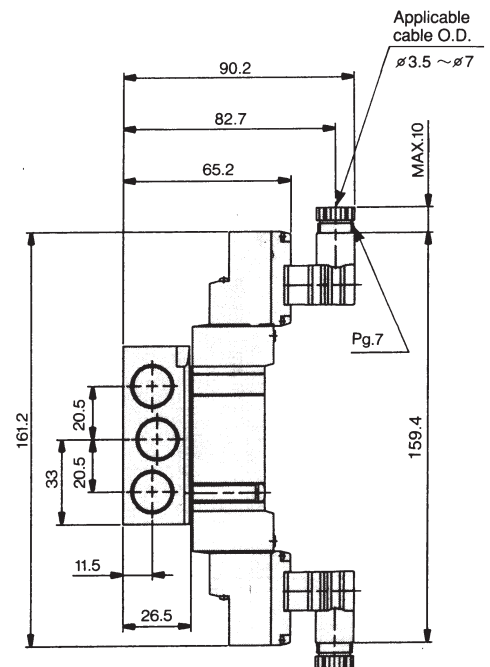
L Type Plug Connector (L) :
SY7240-□L□□-02
□□□□-03



M Type Plug Connector (M) :
SY7240-□M□□-02
□□□□-03



DIN Connector (D) :
SY7240-□D□□-02
□□□□-03

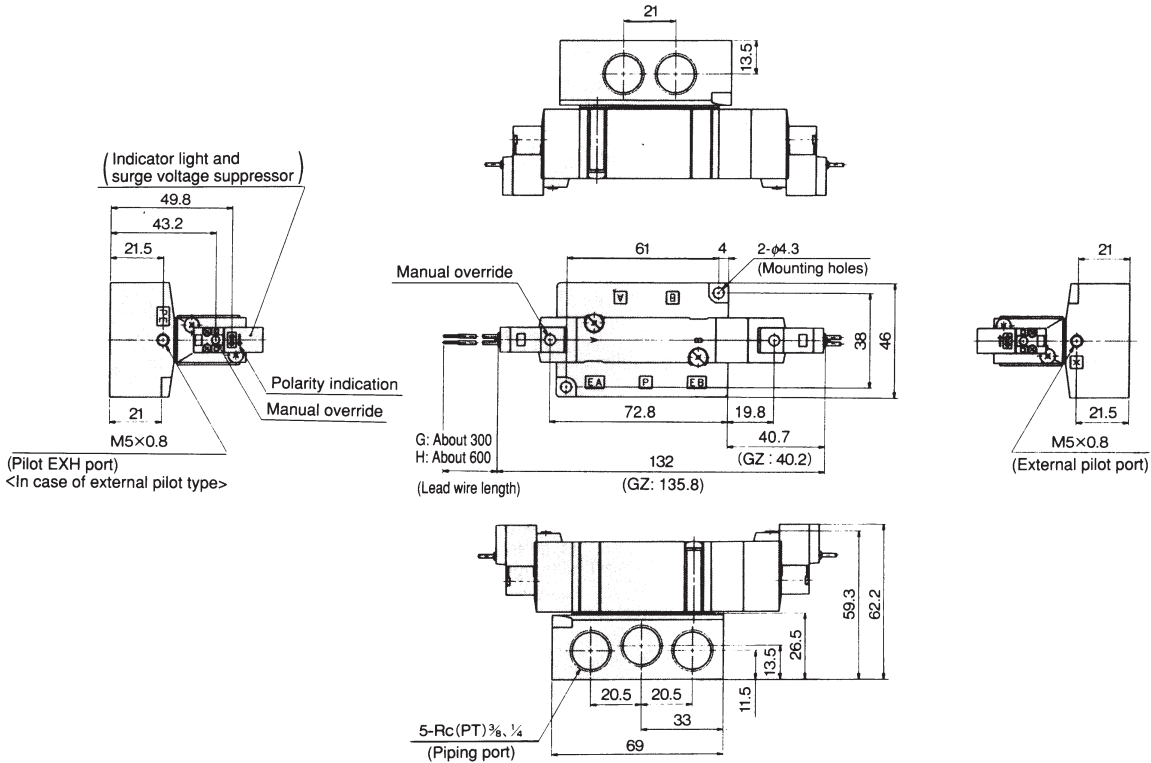


FOR FURTHER TECHNICAL
DETAILS ON THIS PRODUCT
REQUEST CATALOGUE
REFERENCE
E135-B

DIMENSIONS
SY7000

3 position closed center / exhaust center / pressure center

Grommet (G), (H) : SY7³/₄40-□^G□□-⁰²₀₃



L Type Plug Connector (L) :

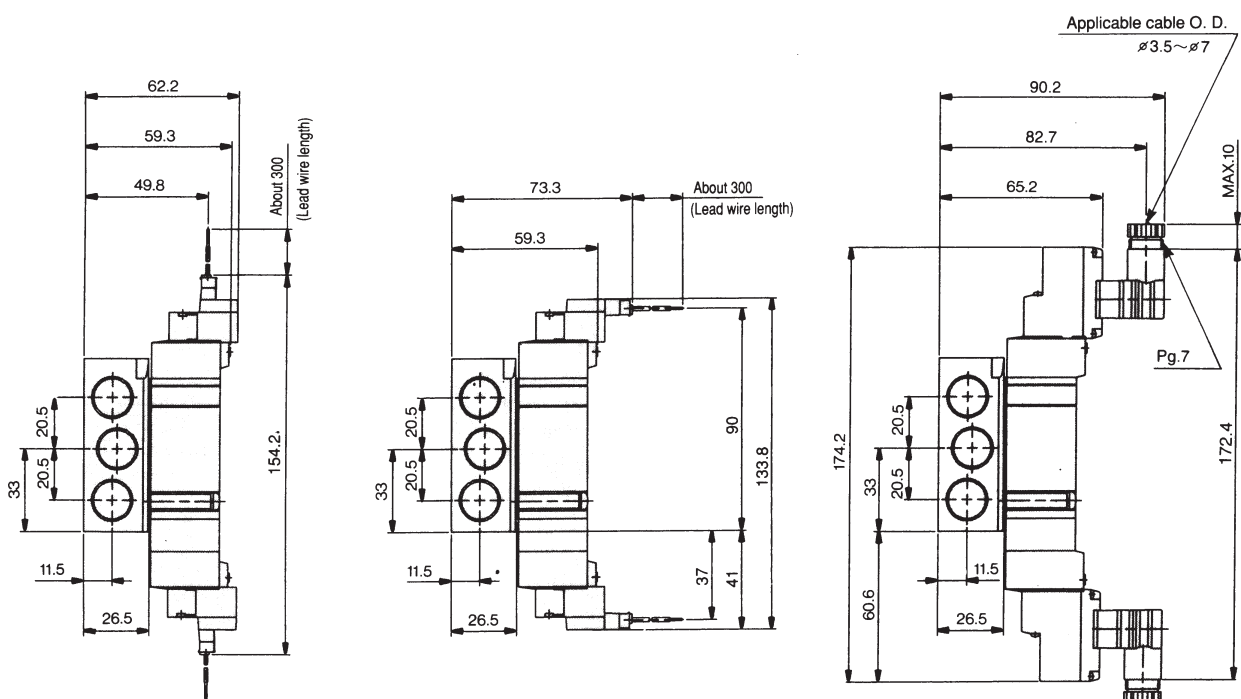
SY7³/₄40-□L□□-⁰²₀₃

M Type Plug Connector (M) :

SY7³/₄40-□M□□-⁰²₀₃

DIN Connector (D) :

SY7³/₄40-□D□□-⁰²₀₃



SEE INSIDE FRONT COVER FOR
DETAILS OF YOUR LOCAL SALES OFFICE



FOR FURTHER TECHNICAL
DETAILS ON THIS PRODUCT
REQUEST CATALOGUE
REFERENCE
E135-B