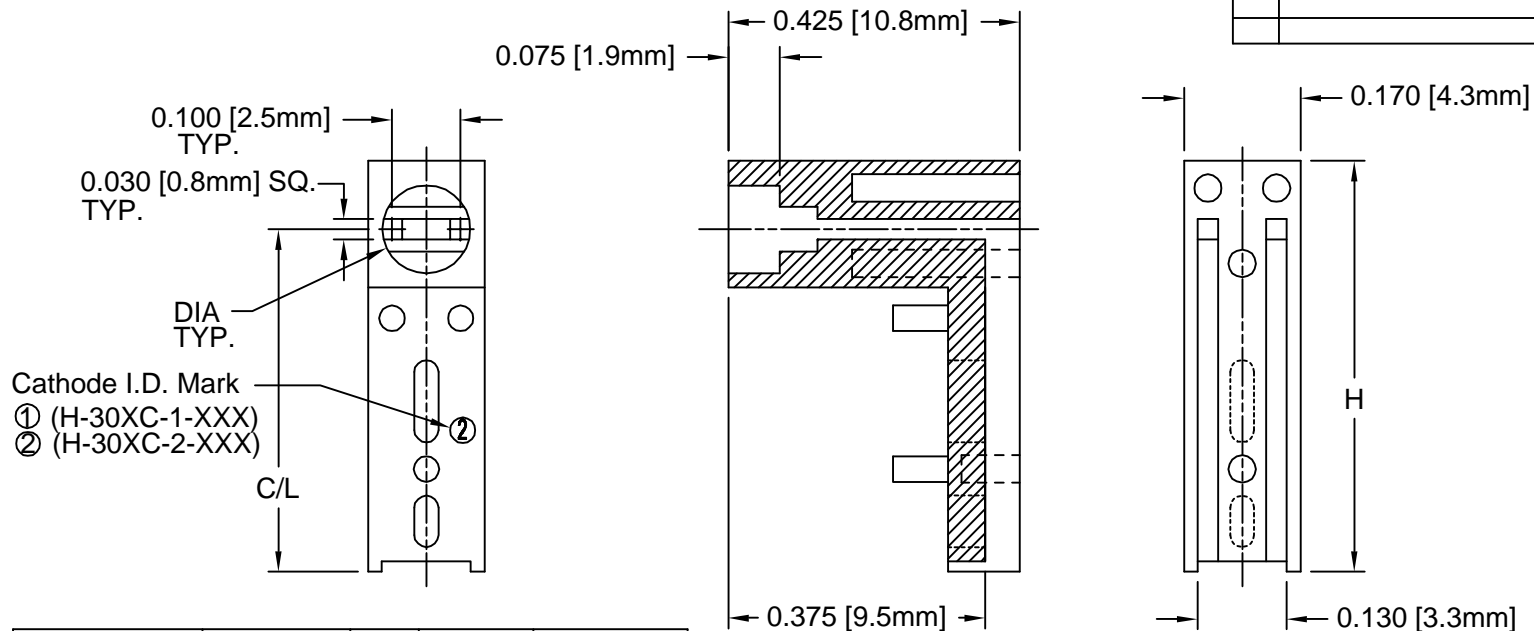




| REV. | DESCRIPTION | DATE | APPROVED |
|------|--------------------------------|----------|----------|
| E | Engineering Update w/o Changes | 02/27/04 | M. C. |
| | | | |
| | | | |
| | | | |



| PART NO. | C/L | ID MARK | DIA | H |
|-------------|------------|---------|-----------|------------|
| H-300-1-500 | .500[12.7] | ① | .128[3.3] | .600[15.2] |
| H-300-2-500 | .500[12.7] | ② | .150[3.8] | .600[15.2] |
| H-300-1-520 | .520[13.2] | ① | .128[3.3] | .620[15.7] |
| H-300-2-520 | .520[13.2] | ② | .150[3.8] | .620[15.7] |
| H-300-1-540 | .540[13.7] | ① | .128[3.3] | .640[16.3] |
| H-300-2-540 | .540[13.7] | ② | .150[3.8] | .640[16.3] |
| H-300-1-560 | .560[14.2] | ① | .128[3.3] | .660[16.8] |
| H-300-2-560 | .560[14.2] | ② | .150[3.8] | .660[16.8] |
| H-300-1-580 | .580[14.7] | ① | .128[3.3] | .680[17.3] |
| H-300-2-580 | .580[14.7] | ② | .150[3.8] | .680[17.3] |

2. MATERIAL: NYLON 6/6, 94V-0, BLACK. BIVAR MATERIAL CODE 22-BK.
RTP POLYAMIDE NYLON 6/6, 0200 FR, BLACK OR MODIFIED PLASTICS MN6/6-SE BK.
1. GENERAL SPECIFICATIONS: BIVAR MOLDED COMPONENT SPECIFICATION BV00-E101.

| | | | | |
|--|--------------------------|---|---|---|
| STANDARD TOLERANCE (UNLESS OTHERWISE SPECIFIED) | |  4 THOMAS, IRVINE, CA. 92618 TEL: (949) 951-8808 FAX: (949) 951-3974 | | |
| DECIMALS | ANGULAR | | | |
| .X ± .1 | X° ± 1° |  | TITLE: STACKING TRIPLE T-1 (3mm) LED HOLDER VARIABLE DIAMETER | |
| .XX ± .01 | | | | PART NO: H-300-X-XXX REVISION: E |
| .XXX ± .005 | | | | |
| DESIGNED: David Green | DATE: 12/17/02 | CAD GENERATED DOCUMENT, DO NOT MEASURE DRAWING. | | |
| CHECKED: M. Chen | DATE: 12/17/02 | | | |