



Chokes for Data and Signal Lines

B82720-H15

Double Chokes

Rated voltage 42 Vac/80 Vdc
Rated current 0,2 to 0,7 A
Rated inductance 4,7 to 68 mH



Construction

- Current-compensated ring core double choke with ferrite core
- Plastic case

Features

- Case flame-retardant as per UL 94 V-0
- Suitable for automatic insertion

Applications

- Telecom switching systems
- Terminal systems
- Measuring and control lines

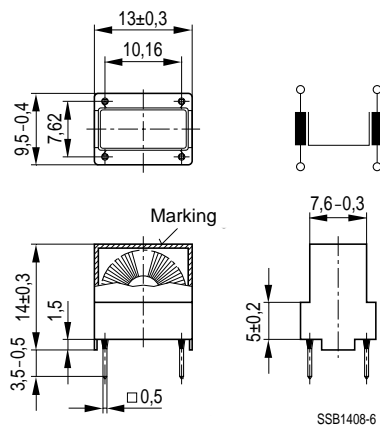
Terminals

- Pins fitting standard PCB grid

Marking

Ordering code, rated inductance,
manufacturer, date of manufacture (month, year)

Dimensional drawing





Chokes for Data and Signal Lines

B82720-H15

Double Chokes

Preliminary data

General technical data

Rated voltage V_R	42 Vac (50/60 Hz); 80 Vdc
Rated current I_R	Referred to 50 Hz and 60 °C ambient temperature
Rated inductance L_R	Measured with HP 4275A at 10 kHz and 0,1 mA (specified per winding)
Inductance tolerance	- 30 %/+ 50 %
Inductance decrease $\Delta L/L_0$	< 10 % at dc magnetic bias with I_R
Stray inductance L_S	Measured at 10 kHz and 5 mA
DC resistance R_{typ}	Typical values, measured at 20 °C ambient temperature
Climatic category	40/125/56 (- 40 °C/+ 125 °C/56 days damp heat test) in accordance with IEC 60068-1
Weight	Approx. 2 g

Characteristics and ordering codes

L_R mH	$L_{S, typ}$ μ H	I_R mA	R_{typ} Ω	V_T Vdc, 2 s	Ordering code
4,7	0,9	700	0,5	750	B82720-H15-A16
10	1,2	600	0,7	750	B82720-H15-A25
28	1,8	400	1,2	750	B82720-H15-A28
47	2,0	300	2,7	750	B82720-H15-A30
68	3,0	200	3,3	750	B82720-H15-A35

**Impedance $|Z|$
versus frequency f**

