

The ZTA Series ceramic resonator offers wide frequency range and extended temperature range capabilities.

## FEATURES

- Low profile
- Wide frequency range
- Extended temperature range
- High stability
- Radial taping available

## OPERATING CONDITIONS/ELECTRICAL CHARACTERISTICS

PART NUMBER*	FREQUENCY RANGE (MHz)	FREQUENCY ACCURACY @ 25° (%)	STABILITY IN TEMPERATURE -20° ~ 80° C (%)	AGING FOR TEN YEARS (%)	RESONANT RESISTANCE (Ω) MAX.	WITHSTANDING VOLTAGE (5 SEC. MAX.)	INSULATION RESISTANCE (Ω)
ZTA□,□□MG	2.00 ~ 2.99	±0.5	±0.3	±0.3	80	100 V DC	5X10 <sup>8</sup> Min. @ 10 V DC
ZTA□,□□MG	3.00 ~ 3.49	±0.5	±0.3	±0.3	50	100 V DC	5X10 <sup>8</sup> Min. @ 10 V DC
ZTA□,□□MG	3.50 ~ 4.99	±0.5	±0.3	±0.3	30	100 V DC	5X10 <sup>8</sup> Min. @ 10 V DC
ZTA□,□□MT	5.00 ~ 6.99	±0.5	±0.3	±0.3	30	100 V DC	5X10 <sup>8</sup> Min. @ 10 V DC
ZTA□,□□MT	7.00 ~ 13.00	±0.5	±0.3	±0.3	25	100 V DC	5X10 <sup>8</sup> Min. @ 10 V DC
ZTA□,□□MX	13.01 ~ 50.00	±0.5	±0.3	±0.3	55	100 V DC	5X10 <sup>8</sup> Min. @ 10 V DC

\* Complete part number to include frequency i.e. ZTA-4.00MG (4.00 = 4.00 MHz)

## PACKAGE DIMENSIONS (mm)

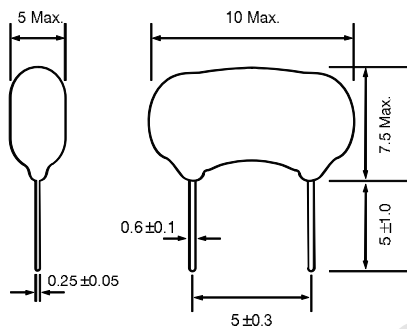


Figure 1) ZTA □,□□ MG, Front and Side views

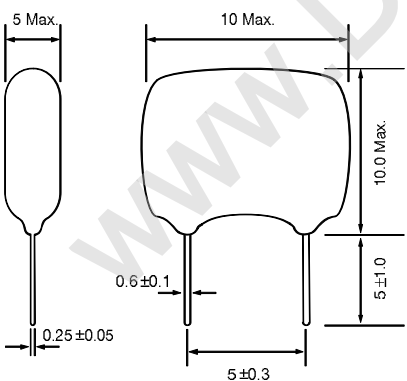


Figure 3) ZTA □,□□ MT, MX Front and Side views

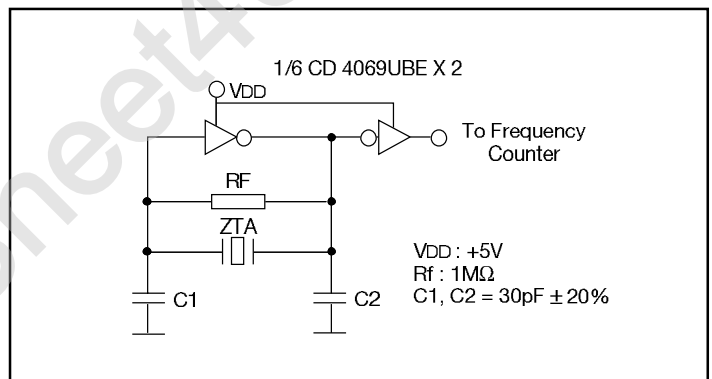


Figure 2) ZTA □,□□ MG Test Circuit

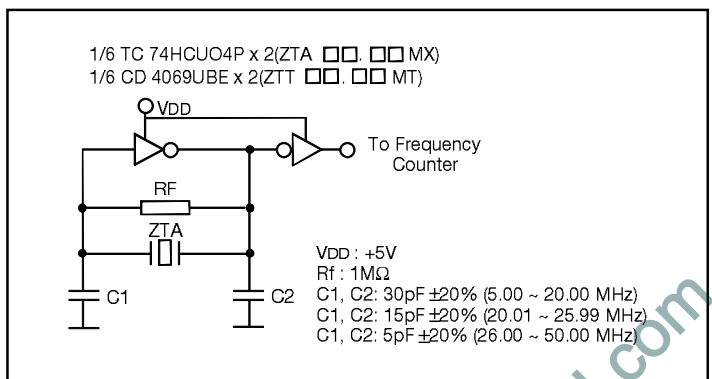


Figure 4) ZTA □,□□ MT & ZTA □,□□ MX Test Circuit