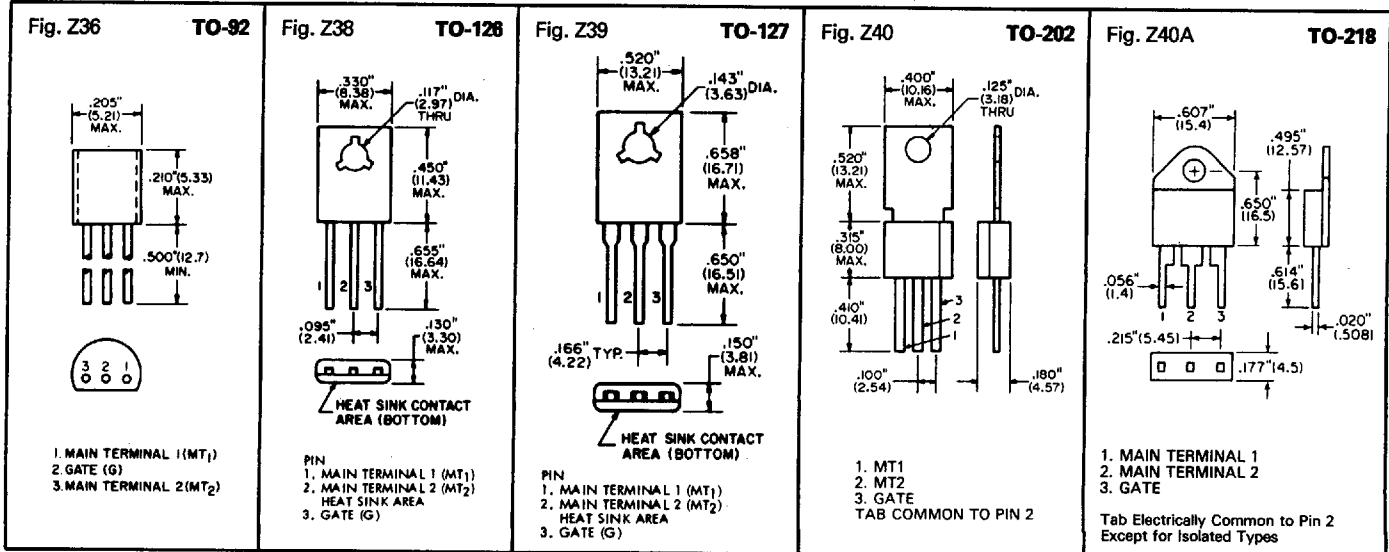


TRIACS (cont'd)

VRRM DC or Peak Volts	IT RMS Max Forward Current (Amps)						
	40 A					45 A	
200	ECG5693	ECG56022		ECG5688			
400	ECG5695	ECG56024		ECG5689	ECG56030		
600	ECG5697	ECG56026	ECG5679	ECG5690	ECG56031		ECG56033
800						ECG56028	
1000							
IGT Min (mA) Quadrants I & III	50	50	50	50	100 Quads I,II,III	50	50 Quads I,II,III
IGT Min (mA) Quadrants II & IV	80	80	50*	80	150 Quad IV	75	100 Quad IV
VGT Max (V)	2.5	2.5	2.5	2.5	1.5	2.0	1.5
ISurge Max (A)	300	300	300	300	300	350	300
IHold Min (mA)	60	60	75	60	100	75	80
Von Max (V)	2.0	2.0	1.8	2.0	1.8	1.8	1.8
VGM (V)	± 10	± 10	± 10	± 10	± 10	± 10	± 10
PG Av (W)	.75	.75	.8	.75	1	.5	1
Operating Temperature T _J °C	-65 to +110	-65 to +110	-40 to +110	-40 to +110	-40 to +125	-40 to +125	-40 to +125
Off State dv/dt (Typ) V/μsec	100	100	60	100	250	50	250
Operating Quadrants	I,II,III,IV	I,II,III,IV	I,II,III	I,II,III,IV	I,II,III,IV	I,II,III,IV	I,II,III,IV
Fig. No.	Z49	Z50	Z63	Z62	Z40A	Z41	Z40A
Package	TO-48	TO-48 Isolated Stud	Square Pak TO-3 (Isolated Flange)	1/2" Press Fit	TO-218 Isolated Tab	TO-220	TO-218

* 3 Mode device not specified in Quadrant IV

TRIAC Outlines



TRIAC Outlines (cont'd)

