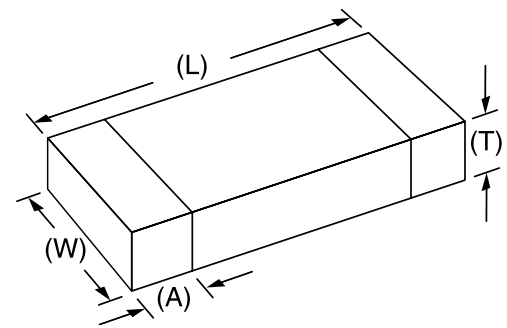
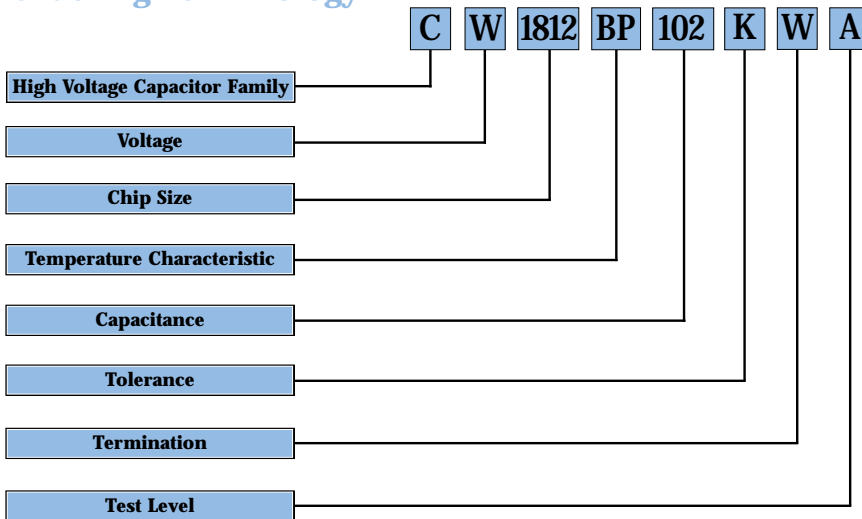


- BP (NPO) and BX/BR (X7R) Characteristics
- Rated Working Voltages from 500 to 10,000 VDC
- MLCs are Smaller Than Film or Disc
- Screening Available to MIL-PRF-55681 Requirements (Group A & C)
- Custom Sizes, Voltage and Values Available
- All Part 100% Tested
- Special Internal Electrode Design

Note: Due to the high voltages, parts rated at greater than 1KV will be tested in a dielectric fluid to prevent surface arcing. In production, conformal coating of the assembled chip on the PCB is recommended to prevent arcing.

Ordering Terminology



Size	1515		1919		3333		3530	
	Min Cap	3R0/221	390/102	390/102	390/102	390/102	390/102	390/102
Length (L)	.150 (3.81)		.190 (4.83)		.330 (8.38)		.350 (8.89)	
Width (W)	.150 (3.81)		.190 (4.83)		.330 (8.38)		.300 (7.62)	
T Max	.130 (3.30)		.180 (4.57)		.250 (6.35)		.250 (6.35)	
A	.040 (1.02)		.045 (1.14)		.050 (1.27)		.050 (1.27)	
Dielectric	COG	X7R	COG	X7R	COG	X7R	COG	X7R
500V	472	104	123	224	563	694	563	684
1000V	332	473	682	104	123	334	123	334
2000V	222	103	472	153	103	563	103	563
3000V	122	332	222	682	103	333	103	333
4000V	471	681	122	182	472	123	472	123
5000V	-	-	471	122	222	682	222	682
10000V	-	-	-	-	-	-	331	152

Voltage	
S	500
T	1000
W	2000
X	3000
Y	4000
Z	5000
Q	10,000

Termination	
W	Nickel Barrier
P	Pt/Ag Termination
S	Ag Termination

Tolerance	
J	(+/-) 5%
K	(+/-) 10%
M	(+/-) 20%

Temperature Characteristic	
X7R	
COG/BP/NPO	

Test Level	
A	Electrical Screening Only
B	MIL-PRF-49478 Group A
C	HiRel Group B or C
X	Special Screening

Size	4040		4540		5440		5550		6560	
	Min Cap	Length (L)	Min Cap	Length (L)	Min Cap	Length (L)	Min Cap	Length (L)	Min Cap	Length (L)
Min Cap	390/102	390/102	390/102	390/102	390/102	390/102	390/102	390/102	560/202	560/202
Length (L)	.400 (10.2)	.450 (11.4)	.450 (11.4)	.540 (13.7)	.540 (13.7)	.550 (11.4)	.550 (11.4)	.650 (16.5)	.650 (16.5)	.650 (16.5)
Width (W)	.400 (10.2)	.400 (10.2)	.400 (10.2)	.400 (10.2)	.400 (10.2)	.500 (12.7)	.500 (12.7)	.600 (15.2)	.600 (15.2)	.600 (15.2)
T Max	.300 (7.62)	.300 (7.62)	.300 (7.62)	.300 (7.62)	.300 (7.62)	.300 (7.62)	.300 (7.62)	.300 (7.62)	.300 (7.62)	.300 (7.62)
A	.060 (1.52)	.060 (1.52)	.060 (1.52)	.060 (1.52)	.060 (1.52)	.060 (1.52)	.060 (1.52)	.060 (1.52)	.060 (1.52)	.060 (1.52)
Dielectric	COG	X7R	COG	X7R	COG	X7R	COG	X7R	COG	X7R
500V	683	105	104	125	563	185	124	225	184	335
1000V	273	474	333	684	473	105	823	125	104	155
2000V	153	104	223	124	333	154	473	224	683	334
3000V	123	473	153	583	223	104	333	124	473	154
4000V	103	153	103	223	153	333	273	473	333	683
5000V	392	103	472	153	682	223	822	273	103	333
10000V	471	222	681	332	102	472	122	682	152	103