

PLEASE CHECK WWW.MOLEX.COM FOR LATEST PART INFORMATION

Part Number: [0743232233](#)
Status: **Active**
Description: MicroCross™ DVI-I Integrated Digital/Analog High Volume Plug Connector Sub-assembly, for PCB Mount, with Snap-in Pegs, Gold (Au) Flash Plating, 29 Circuits, Lead Free

Documents:

[Drawing \(PDF\)](#) [RoHS Certificate of Compliance \(PDF\)](#)

General

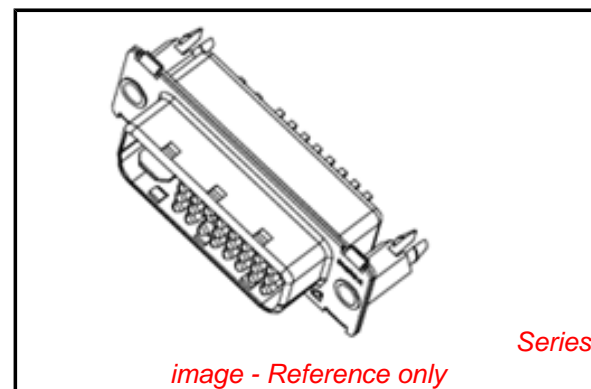
Product Family	I/O Connectors
Series	74323
Application	Wire-to-Board
Comments	DDWG (Digital Display Working Group) Standard
Component Type	I/O Plug Connector Subassembly
Product Name	MicroCross™DVI
Type	N/A

Physical

Boot Color	N/A
Circuits (Loaded)	29
Circuits (maximum)	29
Color - Resin	Black
Durability (mating cycles max)	100
Keying to Mating Part	Yes
Lock to Mating Part	Yes
Material - Metal	Copper Alloy
Material - Plating Mating	Gold
Material - Plating Termination	Tin
Number of Rows	3
Orientation	Vertical
PCB Retention	Yes
Packaging Type	Tray
Panel Mount	N/A
Pitch - Mating Interface (in)	0.075 In, 0.100 In
Pitch - Mating Interface (mm)	1.90 mm, 2.54 mm
Pitch - Term. Interface (in)	0.075 In, 0.100 In
Pitch - Term. Interface (mm)	1.90 mm, 2.54 mm
Plating min: Mating (µin)	10
Plating min: Mating (µm)	0.25
Plating min: Termination (µin)	150
Plating min: Termination (µm)	3.80
Polarized to Mating Part	Yes
Polarized to PCB	Yes
Ports	1
Temperature Range - Operating	-20°C to +85°C
Termination Interface: Style	Solder or Weld
Waterproof / Dustproof	No
Wire Size AWG	N/A

Electrical

Current - Maximum per Contact	3A
Grounding to Panel	Yes
Shield Type	Full Shield
Shielded	Yes
Voltage - Maximum	40V AC (RMS)



EU RoHS

ELV and RoHS Compliant
REACH SVHC
 Not Reviewed
Halogen-Free Status
 Not Reviewed

China RoHS



Need more information on product environmental compliance?

Email productcompliance@molex.com
 For a multiple part number RoHS Certificate of Compliance, [click here](#)

Please visit the [Contact Us](#) section for any non-product compliance questions.

Search Parts in this Series

[74323Series](#)

Mates With

Other receptacle components, [74320 DVI Receptacle](#), [67351 DVI Receptacle](#)

Material Info

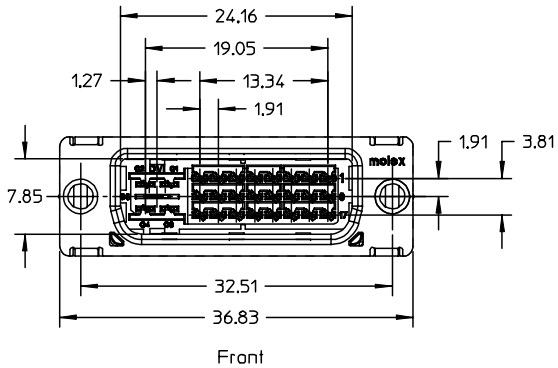
Reference - Drawing Numbers

Sales Drawing

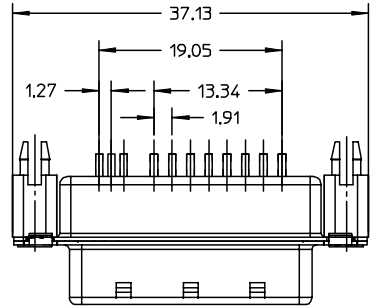
SD-74323-014

This document was generated on 04/05/2010

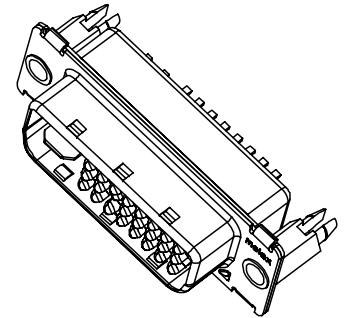
PLEASE CHECK WWW.MOLEX.COM FOR LATEST PART INFORMATION



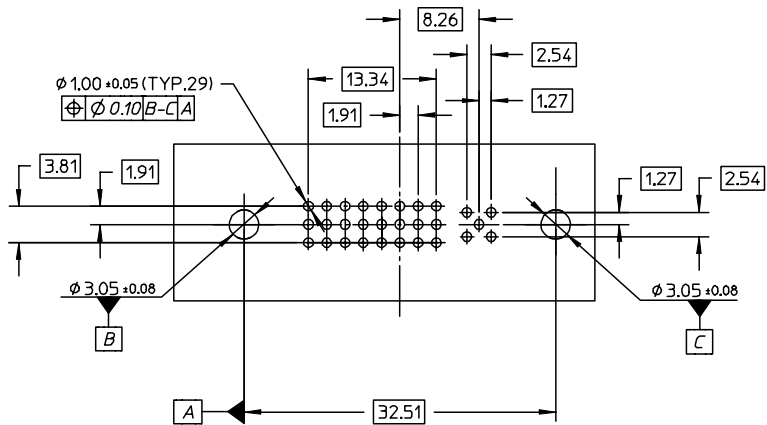
Front



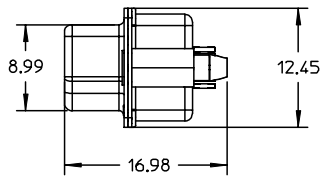
Top



general



RECOMMEND PCB LAYOUT
THICKNESS 1mm



Right

NOTES :

1. MATERIAL :
 HOUSING : THERMAL PLASTIC .JUL-94V-0, COLOR : BLACK.
 TERMINAL : COPPER ALLOY.
 SHIELD : STEEL ALLOY.
 PILLAR : COPPER ALLOY.
2. FINISH :
 TERMINAL :
 CONTACT AREA : GOLD FLASH.
 SOLDER AREA : PURE TIN, 3.8 MICROMETER MIN.
 UNDER PLATING : NICKEL.
 SHIELD : 3.8 MICROMETER MIN BRIGHT TIN OVER NICKEL OVERALL.
3. PRODUCT SPECIFICATION : PS-74320-001.
4. PARTS TO BE PACKAGE IN TRAY.

LEAD-FREE	EC NO: SH2005-0067	2004/09/02	QUALITY SYMBOLS	GENERAL TOLERANCES (UNLESS SPECIFIED)		SCALE 2:1	DESIGN UNITS METRIC	THIRD ANGLE PROJECTION	REVISE ON CAD ONLY
	DRWN:DXUE	2004/09/03		DESCRIPTION	mm	INCH	DIMENSION STYLE MM ONLY		TITLE
	CHKD:	2004/09/03			4 PLACES ± --- ± ---	3 PLACES ± --- ± ---	2 PLACES ± 0.25 ± ---	1 PLACE ± 0.25 ± ---	ANGULAR ± 3 °
	APPR:YTYAP	2004/09/09		DRAFT WHERE APPLICABLE	MUST REMAIN WITHIN DIMENSIONS		CHECKED BY DATE WU YJ 2003/01/07	MATERIAL NO. DOCUMENT NO. SHEET NO. 74323-2233 SD-74323-014 1 OF 1	
REV						THIS DRAWING CONTAINS INFORMATION THAT IS PROPRIETARY TO MOLEX INCORPORATED AND SHOULD NOT BE USED WITHOUT WRITTEN PERMISSION			