



UR5517

Preliminary

LINEAR INTEGRATED CIRCUIT

3A DDR BUS TERMINATION REGULATOR

DESCRIPTION

The **UR5517** is a linear regulator which provides up to 3 Amp bi-directional sourcing and sinking capability for DDR1/2/3 SDRAM bus terminator applications. It only requires 20uF of ceramic output capacitance by a integrated operational amplifier which provides fast load transient response.

The **UR5517** also includes two control pins, S3 & S5. If S3 were set in low level, VTT will be turned off and left Hi-Z(sleep-state mode).If setting S5 were set in low level, both VTT and VTTREF will be turned off and discharged to ground(soft-off mode).

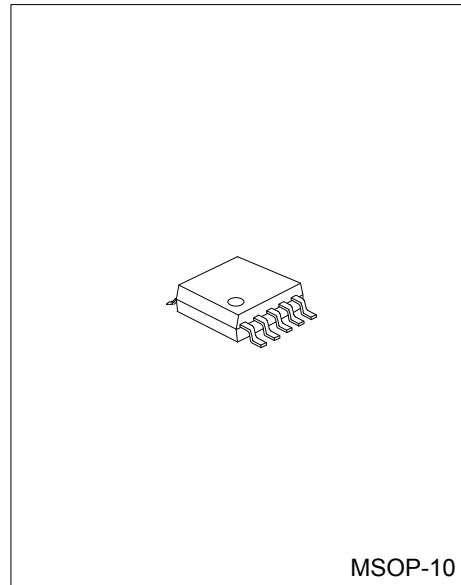
FEATURES

- * Input Voltage Range: 3~5.5V
- * VLDOIN Voltage Range: 1.2V~3.6V
- * DDR1/2/3 Termination Voltage Applications
- * Sourcing and Sinking Current up to 3A
- * ±20mV Accuracy for VTT and VTTREF
- * 10mA Buffered Reference(VTTREF)
- * Supports High-Z in S3(STR) and Soft-off in S5(Shutdown)
- * Integrated Divider Tracks 1/2 VDDQSNS for Both VTT&VTTREF
- * Built-In Soft-Start
- * Current Limiting Protection
- * Thermal Shutdown Protection

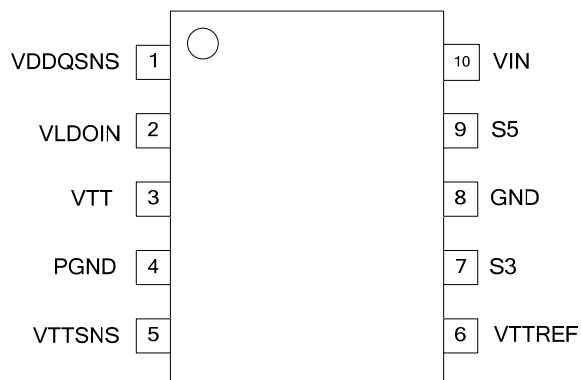
ORDERING INFORMATION

Ordering Number	Package	Packing
UR5517G-SM2-R	MSOP-10	Tape Reel

<p>UR5517G-SM2-R</p> <p>(1) Packing Type (2) Package Type (3) Halogen Free</p>	<p>(1) R: Tape Reel (2) SM2: MSOP-10 (3) G: Halogen Free</p>
--	--



■ PIN CONFIGURATIONS

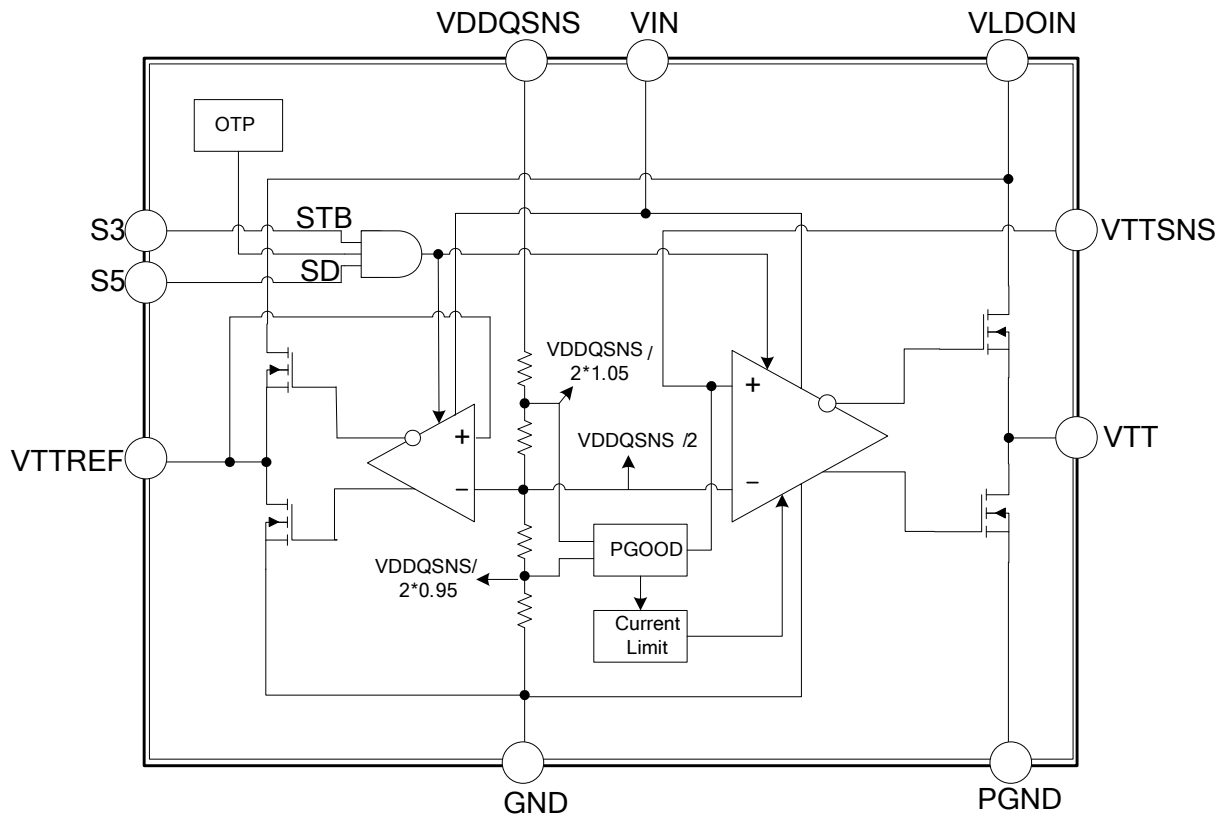


■ PIN DESCRIPTION(Note)

PIN NAME	PIN TYPE	PIN DESCRIPTION
VDDQSNS	I	VDDQ sense input
VLDOIN	I	Power supply for the VTT & VTTREF output stage
VTT	O	Output voltage for connection to termination resistors, equal to VDDQSNS/2
PGND	O	Power ground output for the VTT output
VTTSNS	I	Voltage sense input for the VTT. Connect to plus terminal of the output capacitor
VTTREF	O	Buffered output that is a reference output, equal to VDDQSNS/2
S3	I	Active low suspend to RAM mode control pin, VTT is turned off and left Hi-Z
GND	I	Ground
S5	I	Active low shutdown control pin, both VTT&VTTREF are turned off and discharged to ground
VIN	I	Analog input pin

Note: Recommend connecting the Thermal Pad to the GND for the excellent power dissipation.

■ BLOCK DIAGRAM



■ ABSOLUTE MAXIMUM RATING (unless otherwise specified)

PARAMETER	SYMBOL	RATINGS	UNIT
Supply Voltage(VIN,VLDOIN,VDDQSNS,S3,S5)		-0.3~6	V
Power Ground Output for the VTT Output	P _{GND}	-0.3~0.3	V
Output Voltage(VTT,VTTREF)	VTT,VTTREF	-0.3~VLDOIN+0.3	V
Junction Temperature	T _J	160	°C
Storage Temperature	T _{STG}	-55 ~ +160	°C

Note: Absolute maximum ratings are those values beyond which the device could be permanently damaged.
Absolute maximum ratings are stress ratings only and functional device operation is not implied.

■ RECOMMENDED OPERATING CONDITIONS (Note1, 2)

PARAMETER	SYMBOL	MIN	TYP	MAX	UNIT
Input Voltage	V _{IN}	3		5.5	V
STR and Shutdown Voltage	S3,S5	-0.1		5.5	V
VDDQ Sense Input	V _{DDQSNS}	1.3		3.6	V
Power Supply for the VTT and VTTREF Output Stage	VLDOIN	1.2		3.6	V
Power Ground Output for the VTT Output	P _{GND}	-0.1		0.1	V
Operating Temperature	T _A	-40		85	°C

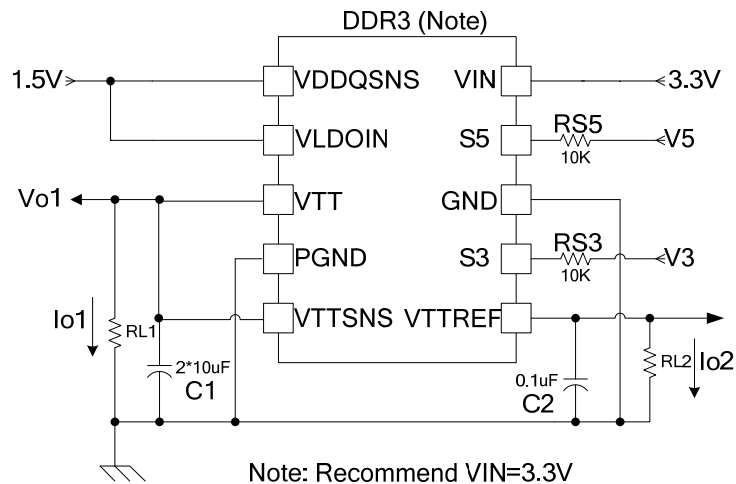
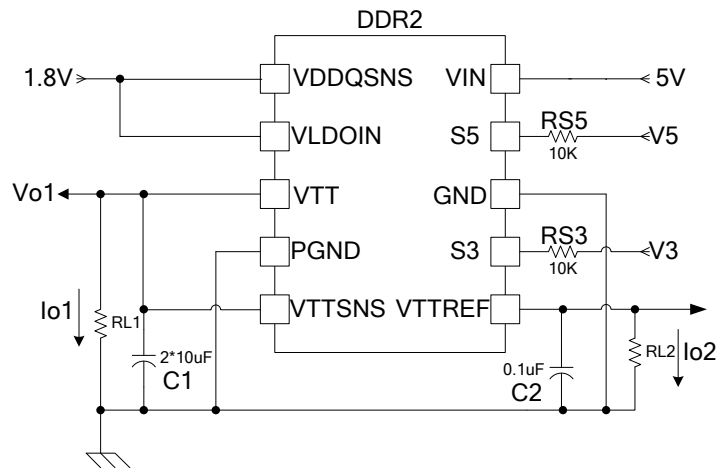
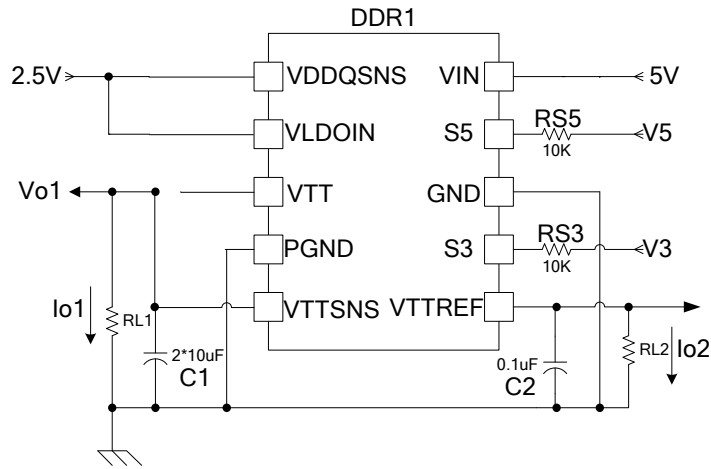
Note: 1. All voltage values are with respect to the network ground terminal unless otherwise noted.
2. Please always keep VLDOIN,VTTSENS,VDDQSNS,S3,S5 lower than VIN on operation.

■ ELECTRICAL CHARACTERISTICS

(V_{IN}=5V,VLDOIN=VDDQSNS=2.5V, T_A=25°C. Unless otherwise specified)

PARAMETER	SYMBOL	TEST CONDITIONS	MIN	TYP	MAX	UNIT
Current of VIN	I _{VIN}	S5=Hi,S3=Hi, no load(Normal)	0.5	0.8	2	mA
	I _{VINSTB}	S5=Hi,S3=Lo, no load(Standby)		110	200	uA
	I _{VINSDN}	S5=Lo,S3=Lo, no load(Shutdown)			1	uA
Current of VLDOIN	I _{VLDOIN}	S5=Hi,S3=Hi, no load(Normal)		0.03	2	mA
	I _{VLDOINSTB}	S5=Hi,S3=Lo, no load(Standby)		0.1	10	uA
	I _{VLDOINSDN}	S5=Lo,S3=Lo, no load(Shutdown)		0.1	1	uA
Input Impedance of VDDQSNS	Z _{VDDQSNS}	S5=Hi,S3=Hi		200		kΩ
Input Current of VTTSENS	I _{VTTSENS}	S5=Hi,S3=Hi		0.3	1	uA
Output Voltage of VTT	VTT	DDR1(VLDOIN=VDDQSNS=2.5V)		1.25		V
		DDR2(VLDOIN=VDDQSNS=1.8V)		0.9		
		DDR3(VLDOIN=VDDQSNS=1.5V)		0.75		
Load Regulation of VTT (VTTREF-VTT)	V _{osVTT}	I _{VTT} = 0	-20		20	mV
		I _{VTT} < 1.5A	-30		30	
		I _{VTT} < 3A	-40		40	
Source Current Limit of VTT	I _{VTTCLSRC}	VTT=VDDQSNS/2*0.95,PGOOD=HI	3	4		A
		VTT=0	1.5	2		
Sink Current Limit of VTT	I _{VTTCLSNK}	VTT=VDDQSNS/2*1.05,PGOOD=HI	3	4		A
		VTT=VDDQSNS	1.5	2		
Leakage Current of VTT	I _{VTTLK}	S5=Hi,S3=Lo		0.01		uA
Discharge Current of VTT	I _{VTTDIS}	S5=Lo, VDDQSNS=0V,VTT=0.5V	10	20		mA
Output Voltage of VTTREF	V _{TTRREF}	DDR1(VLDOIN=VDDQSNS=2.5V)		1.25		V
		DDR2(VLDOIN=VDDQSNS=1.8V)		0.9		
		DDR3(VLDOIN=VDDQSNS=1.5V)		0.75		
Load Regulation of VTTREF	ΔV _{TTRREF}	I _{VTTREF} < 10mA	-20		20	mV
High Level Input Voltage	V _{IH}	S3 & S5 pin	1.6			V
Low Level Input Voltage	V _{IL}	S3 & S5 pin			1	
Logic Input Leakage Current	I _{I_{LEAK}}	S3 & S5 pin	-1		1	uA
Thermal Shutdown Temperature	T _{SD}	VIN=3V~5.5V		160		°C
Thermal Shutdown Hysteresis	ΔT _{SD}	VIN=3V~5.5V		20		

■ TYPICAL APPLICATIONS CIRCUIT



UTC assumes no responsibility for equipment failures that result from using products at values that exceed, even momentarily, rated values (such as maximum ratings, operating condition ranges, or other parameters) listed in products specifications of any and all UTC products described or contained herein. UTC products are not designed for use in life support appliances, devices or systems where malfunction of these products can be reasonably expected to result in personal injury. Reproduction in whole or in part is prohibited without the prior written consent of the copyright owner. The information presented in this document does not form part of any quotation or contract, is believed to be accurate and reliable and may be changed without notice.