

**MTSM2142B-UBL**

**Features**

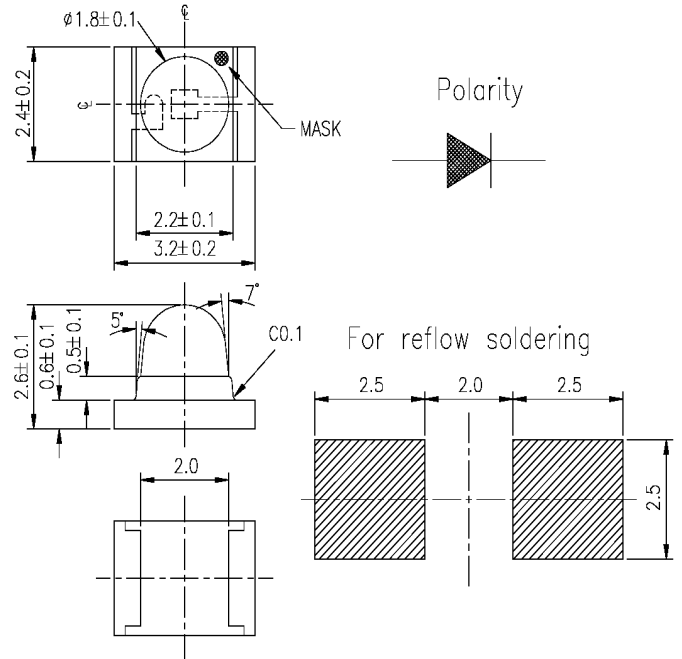
Compatible with Automatic Placement Equipment  
 Packaged in 12.0mm Tape on 7" Diameter Reel  
 Surface Mount LED Lamp  
 Long Life Solid State Reliability  
 1000 Pieces per Reel

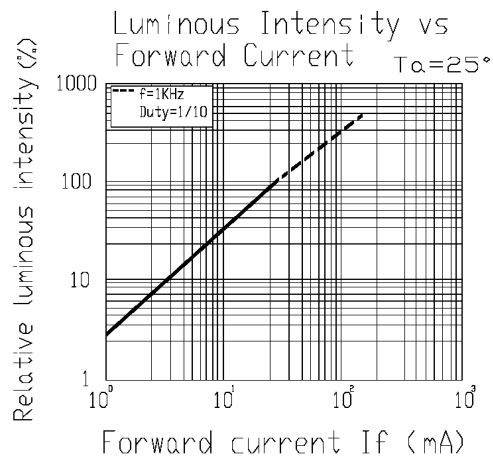
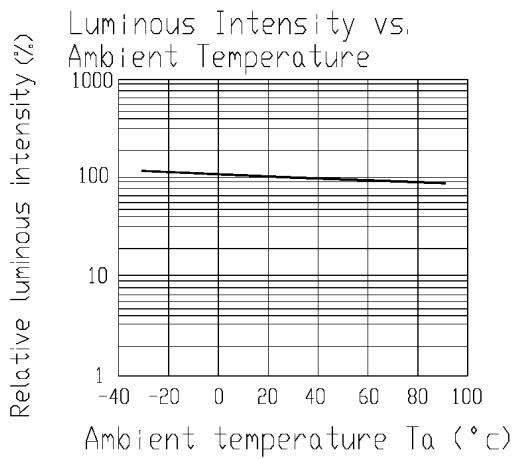
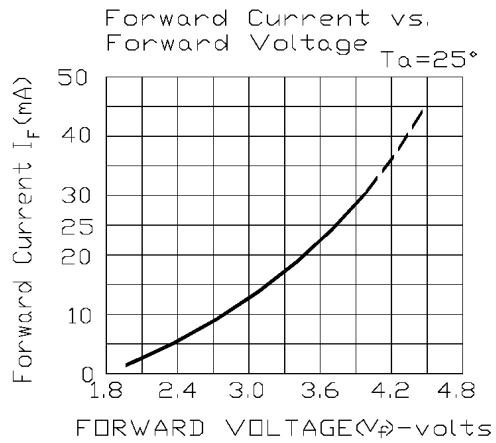
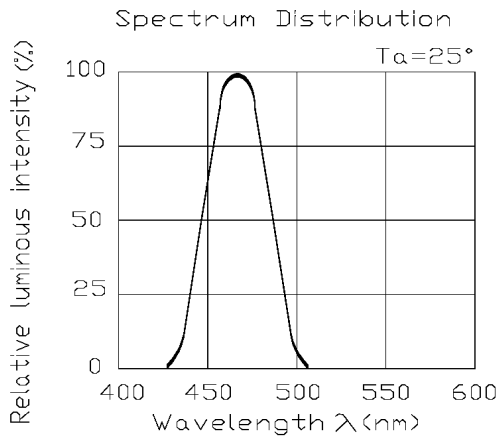
**Maximum Ratings (Ta=25°C)**

Characteristic	Symbol	Max.	Unit
Forward Current	I <sub>F</sub>	30	mA
Reverse Voltage	V <sub>R</sub>	5	V
Power Dissipation	P <sub>D</sub>	120.00	mW
Operating Temperature	T <sub>opr</sub>	-20 ~ +80	°C
Storage Temperature	T <sub>stg</sub>	-30 ~ +90	°C
Soldering Temperature	T <sub>sol</sub>	260	°C
Soldering Time	-	for 5 sec. max	-

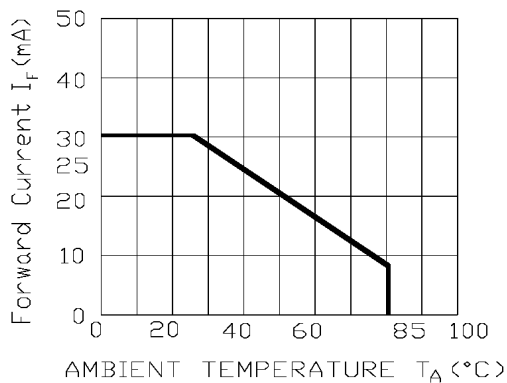
**Opto-Electrical Characteristics (Ta=25°C)**

Characteristic	Symbol	Test Condition	Min	Typ	Max	Unit
Forward Voltage	V <sub>F</sub>	I <sub>F</sub> =20mA	-	3.50	4.00	V
Reverse Current	I <sub>R</sub>	V <sub>R</sub> =5V	-	-	50	μ A
Luminous Intensity	I <sub>v</sub>	I <sub>F</sub> =20mA	118.00	150.00	-	mcd
Viewing Angle	2θ <sup>1/2</sup>	-	-	30°	-	deg.
Peak Wavelength	λ <sub>p</sub>	I <sub>F</sub> =20mA	-	468	-	nm
Dominant Wavelength	λ <sub>d</sub>	I <sub>F</sub> =20mA	-	470	-	nm
Spectral Line Half Width	Δλ	I <sub>F</sub> =20mA	-	26	-	nm





Forward Current Derating Curve



Radiation Diagram  $T_a=25^\circ$

