

PLEASE CHECK WWW.MOLEX.COM FOR LATEST PART INFORMATION

Part Number: [0551244131](#)
Status: **Active**
Overview: [minihmc](#)
Description: HMC™ Rectangular Industrial Terminal 55124, 22-26 AWG, Red Retainer

Documents:

Drawing (PDF)	Product Specification PS-54478-001 (PDF)
Product Specification PS-54319-001 (PDF)	RoHS Certificate of Compliance (PDF)

General

Product Family	Crimp Terminals
Series	55124
Crimp Quality Equipment	Yes
Overview	minihmc
Product Name	HMC™

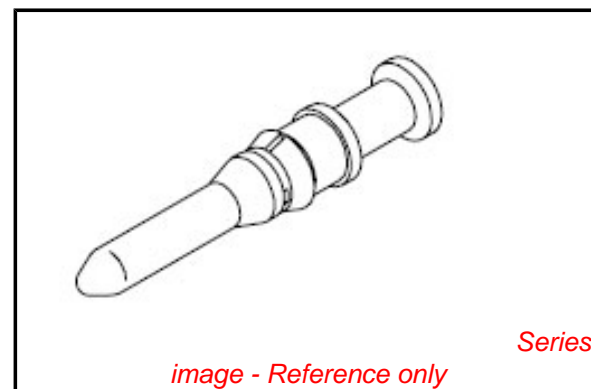
Physical

Gender	Male
Material - Metal	Brass
Material - Plating Mating	Silver
Packaging Type	Bag
Wire Insulation Diameter	3.60mm (.142") max.
Wire Size AWG	22, 24, 26
Wire Size mm²	N/A

Material Info

Reference - Drawing Numbers

Product Specification	PS-54319-001, PS-54478-001
Sales Drawing	SD-55124-001



EU RoHS

China RoHS

Compliance Status

Not Reviewed

REACH SVHC

Not Reviewed

Halogen-Free

Status

Not Reviewed

Need more information on product environmental compliance?

Email productcompliance@molex.com
 For a multiple part number RoHS Certificate of Compliance, [click here](#)

Please visit the [Contact Us](#) section for any non-product compliance questions.

Search Parts in this Series

[55124Series](#)

Mates With

[54296](#)

Use With

[55347](#) housing, [55348](#) housing

Application Tooling | FAQ

Tooling specifications and manuals are found by selecting the products below. Crimp Height Specifications are then contained in the Application Tooling Specification document.

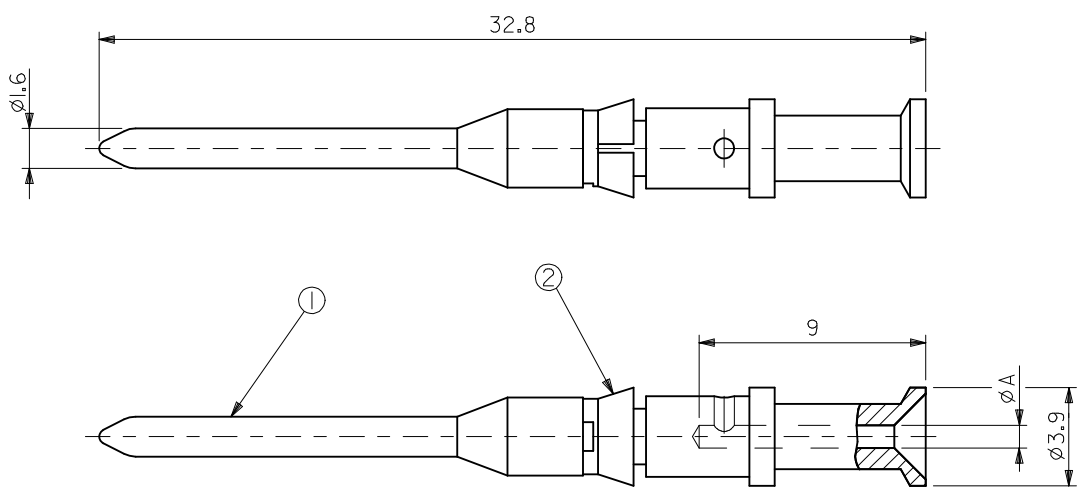
Global

Description	Product #
Insertion Tool	0638120600
Extraction Tool	0638131800
Hand Crimp Tool for HMC™ 1.60mm (.063") Crimp Terminals	0638231800

This document was generated on 06/01/2010

PLEASE CHECK WWW.MOLEX.COM FOR LATEST PART INFORMATION

部番 NO.	部品名 PARTS NAME	個数 QUAN.	材質 MATERIAL
①	φ1.6 ピンコンタクト φ1.6 PIN CONTACT	1	黄銅、銀メッキ BRASS, Ag PLATING
②	リテーナー RETAINER	1	66 ナイロン NYLON 66



- 注)
NOTES:
1. 嵌合相手 : 54296-9***
MATING SOCKET CONTACT : 54296-9***
 2. 適用圧着工具 (手動) : 57388-5000
APPLICABLE CRIMP TOOL (HAND) : 57388-5000
ロケータ : 58487-1000
LOCATOR : 58487-1000
 3. 適用圧着工具 (半自動) : 57388-1000
APPLICABLE CRIMP TOOL (SEMI-AUTOMATIC) : 57388-1000
 4. 適用引き抜き工具 : 57388-6100
APPLICABLE EXTRACTION TOOL : 57388-6100
 5. 適用挿入工具 : 57388-6200
APPLICABLE INSERTION TOOL : 57388-6200

8.5±0.4	3.6	1.25 ~ 1.5	#16	1.75	白 WHITE	55124-4431
		0.75 ~ 1.0	#18	1.45	青 BLUE	55124-4331
		0.14 ~ 0.37	#26~22	0.9	赤 RED	55124-4131
皮剥長さ(mm) STRIPPING LENGTH	被覆外径(φmmMAX.) INSULATION DIAMETER	断面積 (mm ²) SQ (mm ²)	電線径 (AWG) WIRE SIZE (AWG)	A	リテーナー色 RETAINER COLOR	製品番号 ENG.NO.
適用電線範囲 APPLICABLE WIRE RANGE						

REVISED EC NO. : J2009-1128 DRWN:NAKAMURA 2008/12/15 CHKD:T. HARUYAMA 2008/12/15 APPR:NUKITA 2008/12/16	DESCRIPTION	GENERAL TOLERANCES (UNLESS SPECIFIED)		DIMENSION STYLE MM ONLY		SCALE 5:1	DESIGN UNITS METRIC	THIRD ANGLE PROJECTION	
		10 UNDER	±0.2	DRAWN BY N. MATSUURA	DATE '97/10/30	TITLE 1.6 PIN CONTACT ASSY (MACHINED TYPE)			
10 OVER 30 UNDER	±0.25	CHECKED BY Y. ITO	DATE	MOLEX INCORPORATED					
30 OVER	±0.3	APPROVED BY H. IKESUGI	DATE	DOCUMENT NO. SD-55124-001					
ANGULAR	±3 °	MATERIAL NO.		SHEET NO. 1 OF 1					
DRAFT WHERE APPLICABLE MUST REMAIN WITHIN DIMENSIONS		SEE TABLE							
		THIS DRAWING CONTAINS INFORMATION THAT IS PROPRIETARY TO MOLEX INCORPORATED AND SHOULD NOT BE USED WITHOUT WRITTEN PERMISSION							