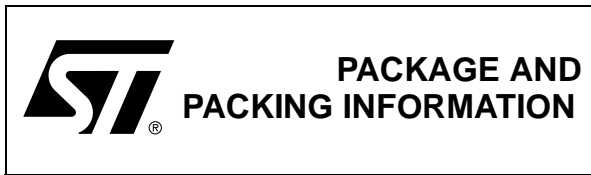


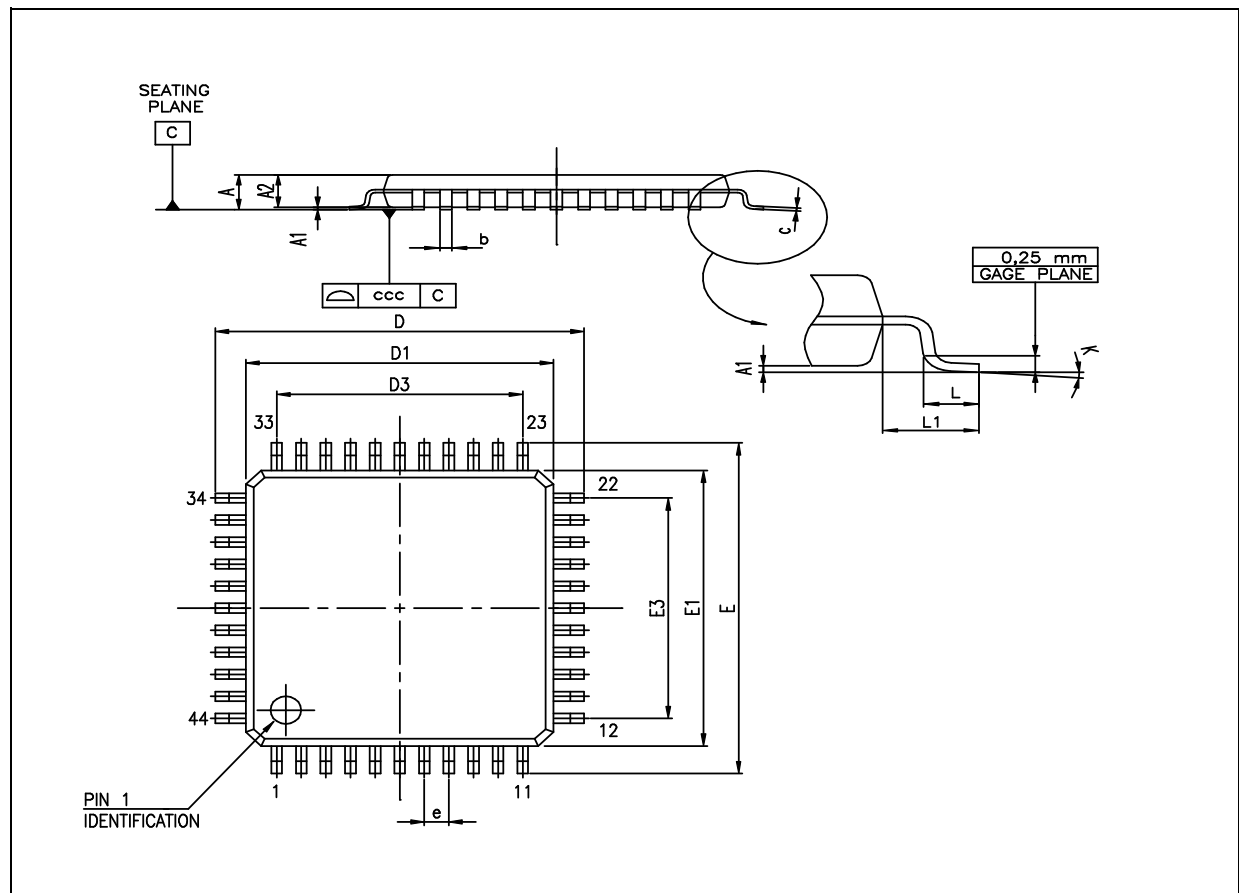
DIMENSIONS						
REF.	mm			inch		
	MIN.	TYP.	MAX.	MIN.	TYP.	MAX.
A			1.6			0.063
A1	0.05		0.15	0.002		0.006
A2	1.35	1.40	1.45	0.053	0.055	0.057
B	0.30	0.37	0.45	0.012	0.015	0.018
C	0.09		0.20	0.004		0.008
D	11.80	12.00	12.20	0.465	0.472	0.480
D1	9.80	10.00	10.20	0.386	0.394	0.402
D3		8.00			0.315	
E	11.80	12.00	12.20	0.465	0.472	0.480
E1	9.80	10.00	10.20	0.386	0.394	0.402
E3		8.00			0.315	
e		0.80			0.031	
L	0.45	0.60	0.75	0.018	0.024	0.030
L1		1.00			0.039	
K	0°	3.5°	7°	0°	3.5°	7°



44-LEAD THIN QUAD FLAT PACKAGE

Weight: not available

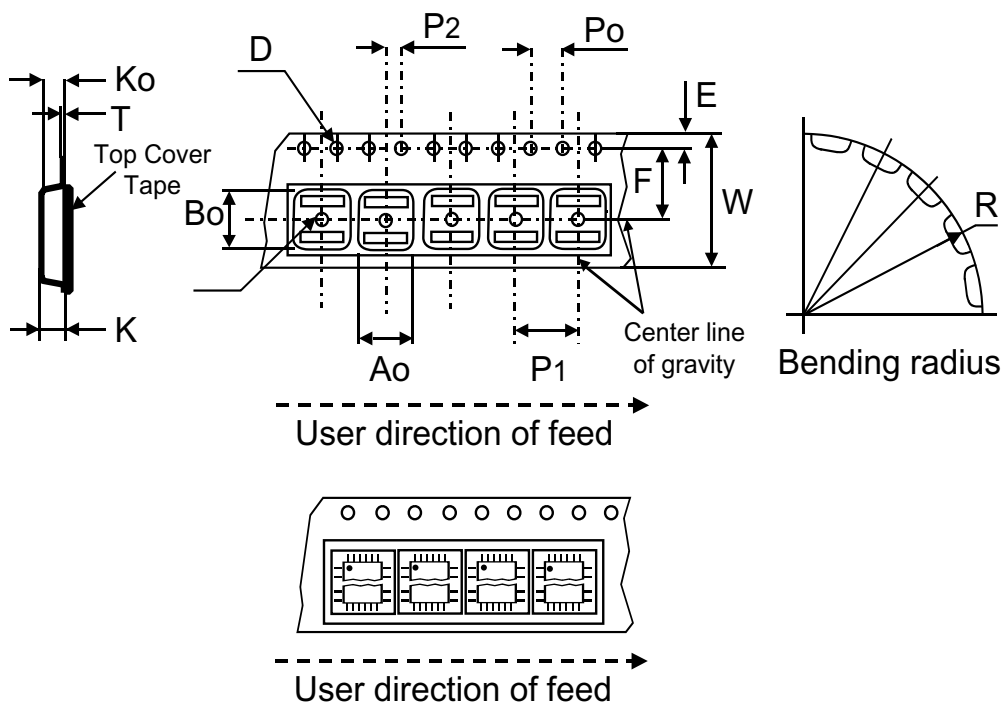
TQFP44



TQFP44 PACKAGE AND PACKING INFORMATION

TAPE & REEL SHIPMENT INFORMATION

TAPE SPECIFICATIONS



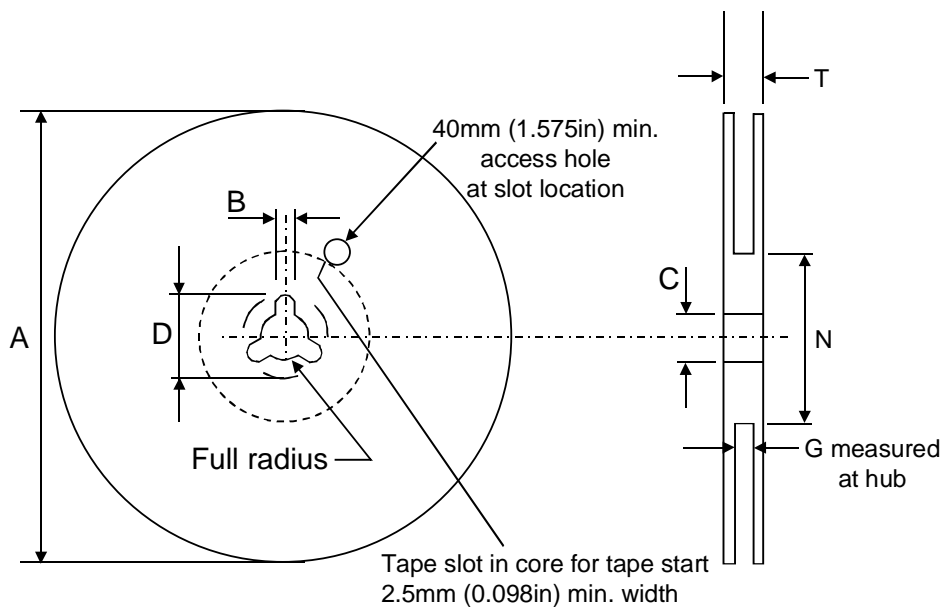
TAPE MECHANICAL DATA

	mm.	inch
D	1.50 +0.1/0	0.059 +0.004/0
E	1.75 ±0.1	0.069 ±0.004
Po	4.00 ±0.1	0.157 ±0.004
T max.	0.40	0.016
D1 min.	1.50	0.059
F	11.5 ±0.05	0.453 ±0.002
K max.	6.50	0.256
P2	2.00 ±0.05	0.079 ±0.002
R	50	1.968
W	24.00 ±0.30	0.915 ±0.012
P1	16.00	0.623
Ao, Bo, Ko	0.05 min to 0.90 max.	0.002 min to 0.035 max.

BASE QUANTITY	1000 pcs.
BULK QUANTITY	1000 pcs.

TQFP44 PACKAGE AND PACKING INFORMATION

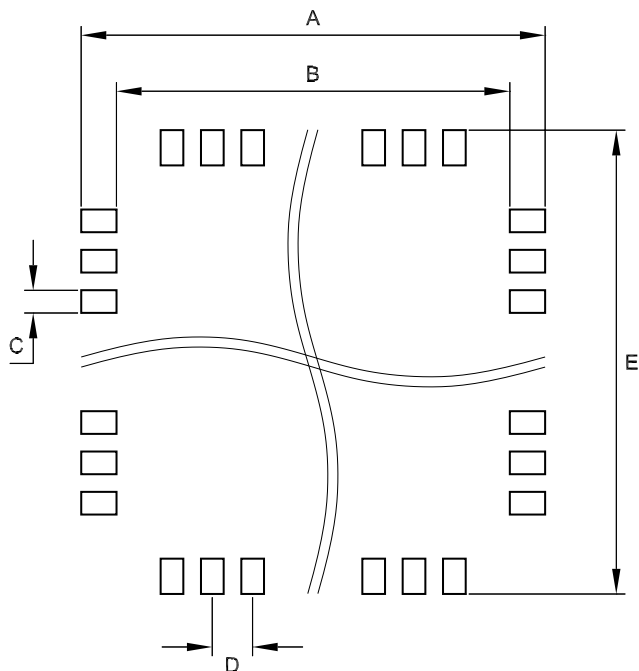
TAPE & REEL SHIPMENT INFORMATION
REEL SPECIFICATIONS



REEL MECHANICAL DATA		
	mm.	inch
Tape size	24.0 ±0.30	0.915 ±0.012
A max.	330.0	12.992
B min.	1.5	0.059
C	13.0 ±0.20	0.512 ±0.008
D min.	20.2	0.795
N min.	60	2.362
G	24.4 +2/-0	0.961 +0.079/-0
T max.	30.4	1.197

TQFP44 PACKAGE AND PACKING INFORMATION

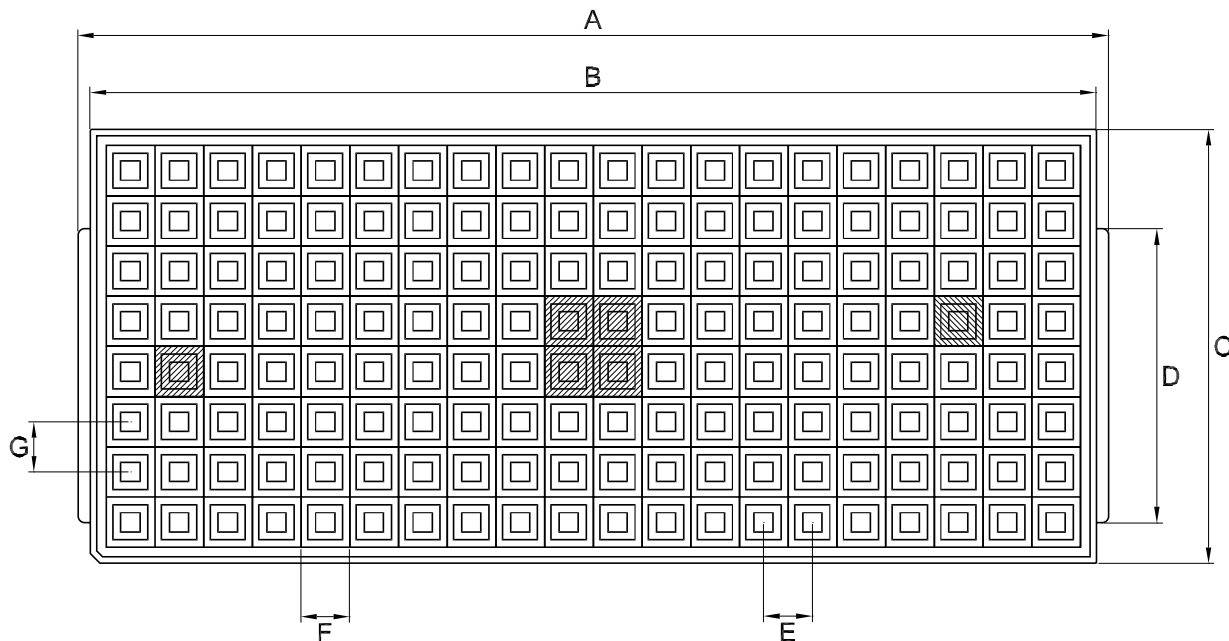
FOOTPRINT RECOMMENDED DATA



FOOTPRINT DATA		
	mm.	inch
A	12.60	0.496
B	11.00	0.433
C	0.54	0.021
D	0.80	0.031
E	12.60	0.496

TQFP44 PACKAGE AND PACKING INFORMATION

TRAY SHIPMENT INFORMATION



TRAY DATA		
	mm.	inch
A	322.6	12.700
B	315.0 ±0.10	12.402 ±0.004
C	135.9 ±0.10	5.350 ±0.004
D	92.1 ±0.10	3.626 ±0.004
E	15.3 ±0.10	0.602 ±0.004
F	15.3 ±0.10	0.602 ±0.004
G	15.3 ±0.10	0.602 ±0.004

BASE QUANTITY	160 pcs.
BULK QUANTITY	960 pcs.