

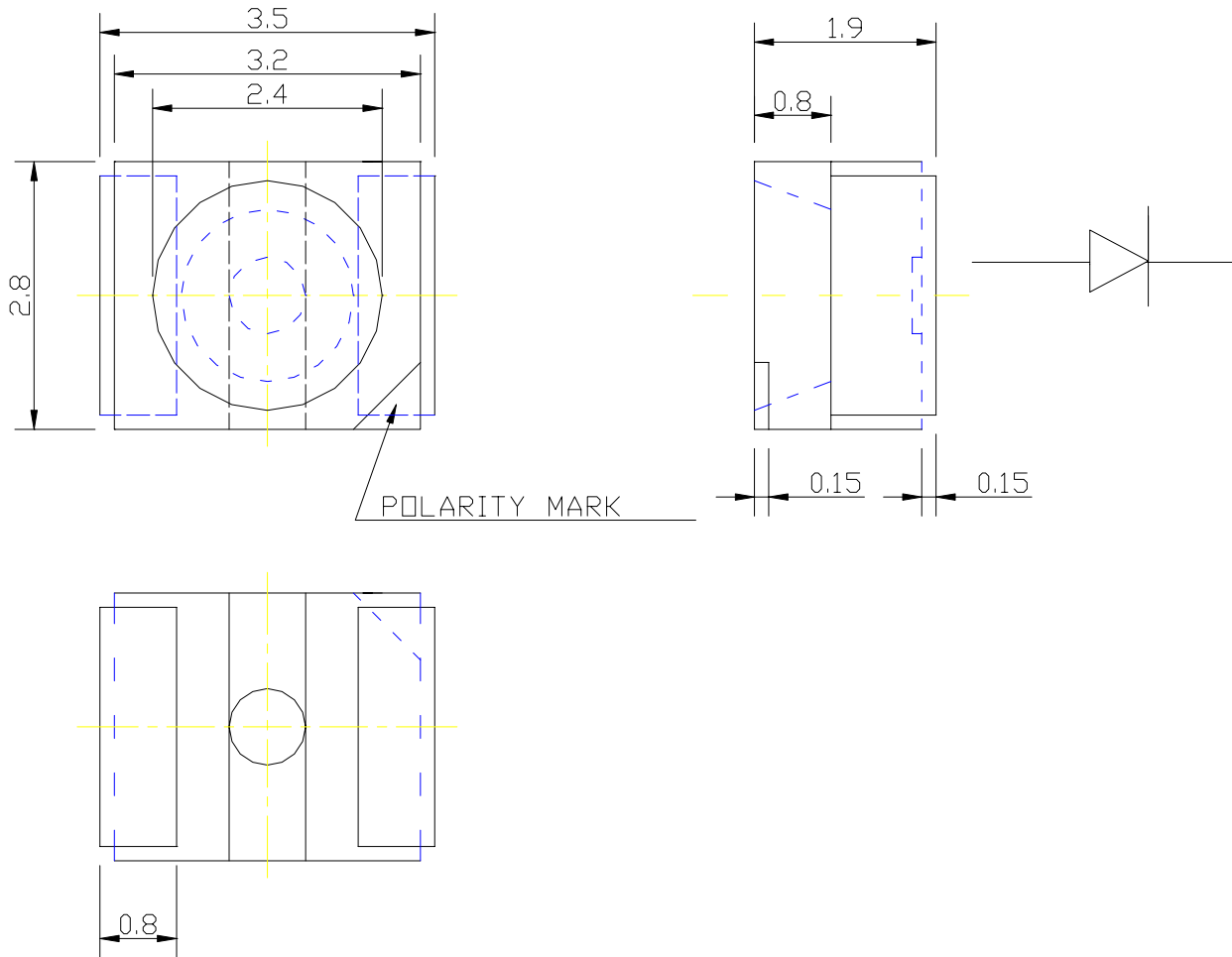
PRODUCT SPECIFICATION

DATE: 08/13/2004

cosmo ELECTRONICS CORPORATION	SMD LED : KL-670URO	NO. 61L40008	REV. 1
		SHEET 1 OF 9	

UNIT:MM

TOLERANCE: ± 0.25



Part No.	Emitting Color	Material	Lens Type	I _v (I _F =20mA)		Viewing Angle 2θ 1/2
				MIN (mcd)	TYP (mcd)	
KL-670URO	Super brightness red	AlGaInP	Water Clear	50	80	120°

PRODUCT SPECIFICATION

DATE: 08/13/2004

cosmo ELECTRONICS CORPORATION	SMD LED :	NO. 61L40008	REV.
	KL-670URO	SHEET 2 OF 9	1

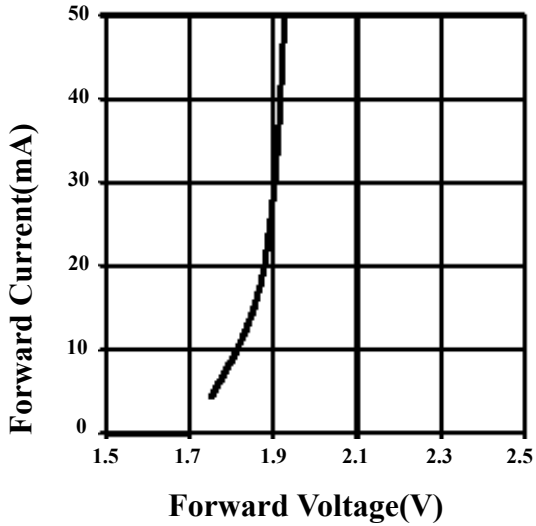
Absolute maximum ratings (TA=25°C)		QR (AlGaInP)	Red	Unit
Reverse voltage	V _R	5		V
Forward current	I _F	30		mA
Forward current(Peak) <small>1/10 Duty Cycle,0.1ms Pulse Width</small>	I _{FP}	150		mA
Power dissipation	P _d	50		mW
LED LAMPS:				
Operating temperature	T _{OP}	-40~+85		°C
Storage temperature	T _{ST}	-40~+85		°C
LED DISPLAYS:				
Operating temperature	T _A	-40~+85		°C
Storage temperature	T _{STG}	-40~+85		°C

Operating characteristics (TA=25°C)		QR (AlGaInP)	Red	Unit
Forward voltage(typ.) I _F =20mA	V _F	2.4		V
Forward voltage(max.) I _F =20mA	V _F	2.6		V
Reverse current(max.) V _R =5V	I _R	10		uA
Wavelength at dominant emission(typ.) I _F =20mA	λ _D	630		nm
Wavelength at peak emission(typ.) I _F =20mA	λ _P	650		nm
Spectral line half-width I _F =20mA	Δλ	22		nm
Capacitance V _F =0V,f=1MHz	C	25		pF

PRODUCT SPECIFICATION

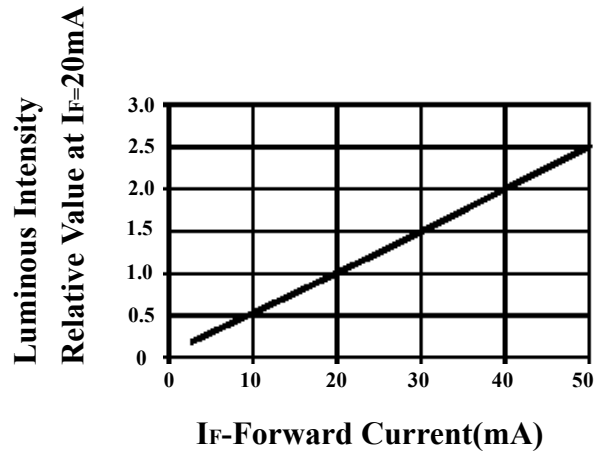
DATE: 08/13/2004

cosmo ELECTRONICS CORPORATION	SMD LED :	NO.61L40008	REV.
	KL-670URO	SHEET 3 OF 9	1



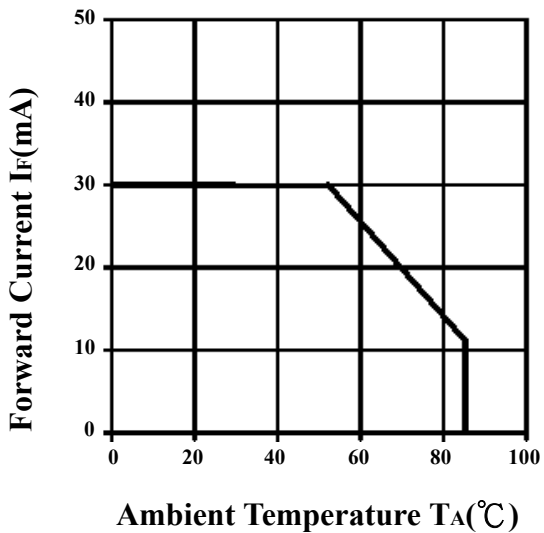
Forward Voltage(V)

Forward Current Vs.
Forward Voltage



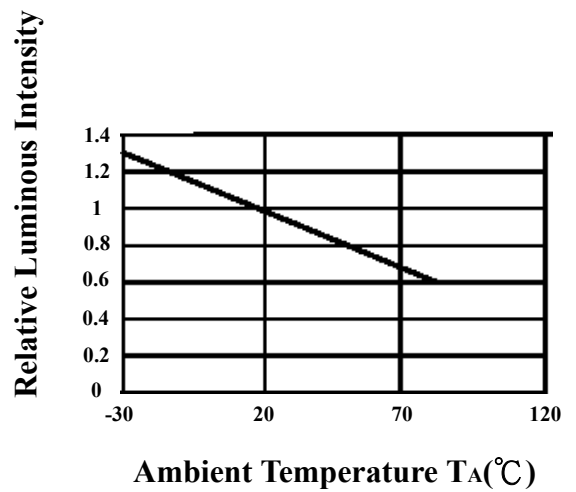
If-Forward Current(mA)

Luminous Intensity Vs.
Forward Current



Ambient Temperature TA(°C)

Forward Current
Derating Curve



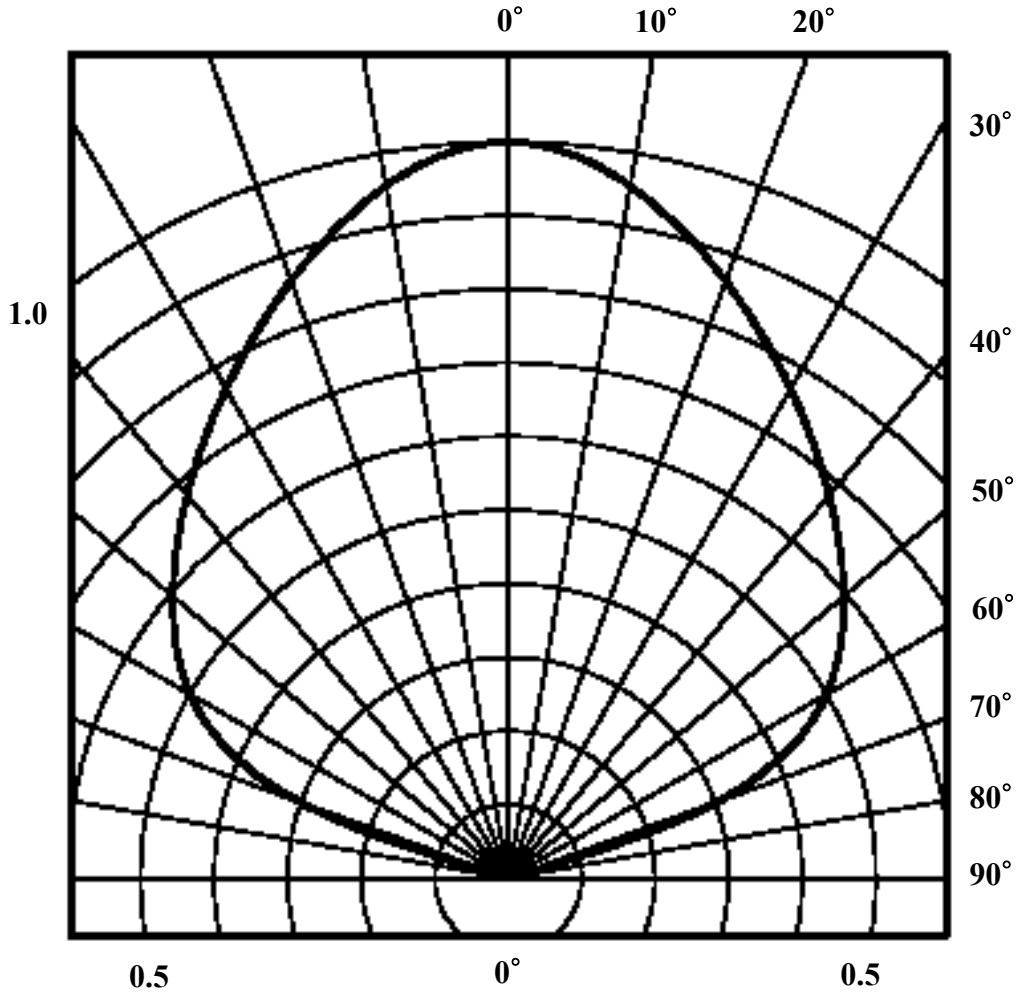
Ambient Temperature TA(°C)

Luminous Intensity Vs.
Ambient Temperature

PRODUCT SPECIFICATION

DATE: 08/13/2004

cosmo ELECTRONICS CORPORATION	SMD LED :	NO. 61L40008	REV.
	KL-670URO	SHEET 4 OF 9	1



View Angle $2\theta_{1/2}=120^\circ$

PRODUCT SPECIFICATION

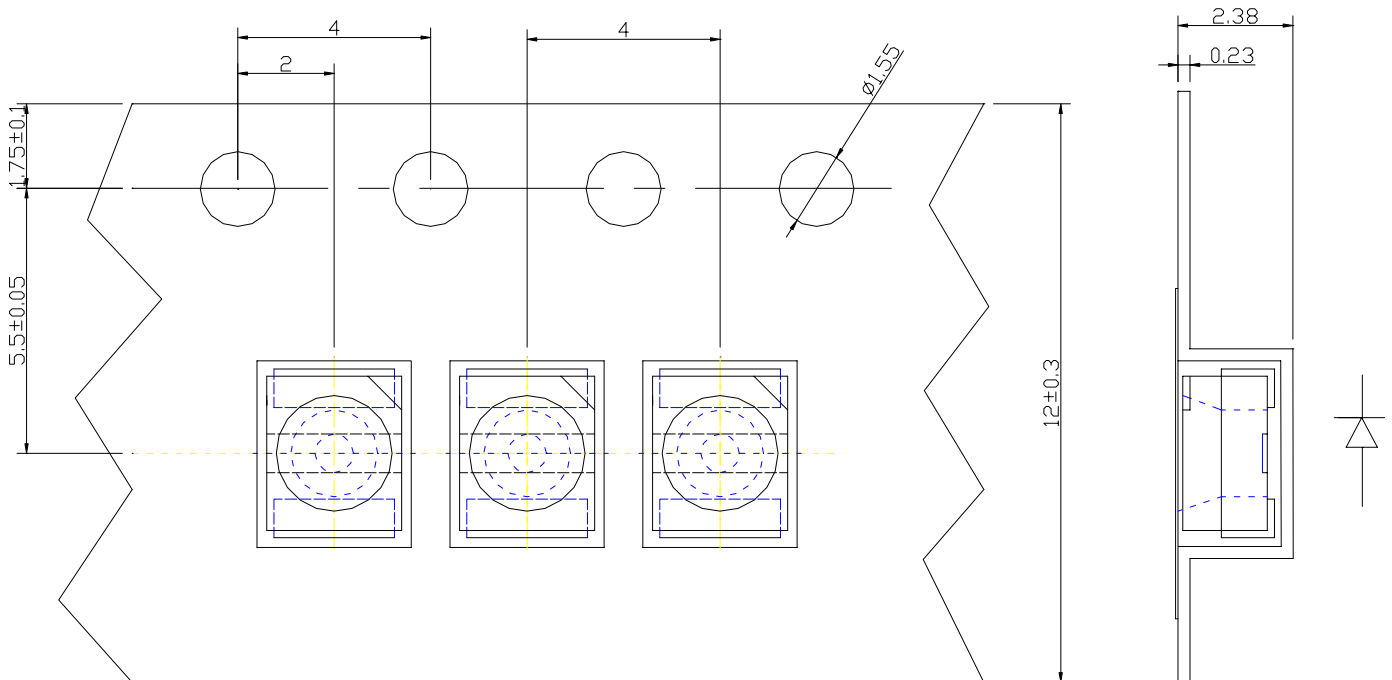
DATE: 08/13/2004

cosmo ELECTRONICS CORPORATION	SMD LED : KL-670URO	NO. 61L40008	REV. 1
		SHEET 5 OF 9	

UNIT:MM

TOLERANCE: ± 0.25

TYPE \longrightarrow PACKAGE:1500 OR 1000PCS/REEL
REEL "T":18mm TYP



PRODUCT SPECIFICATION

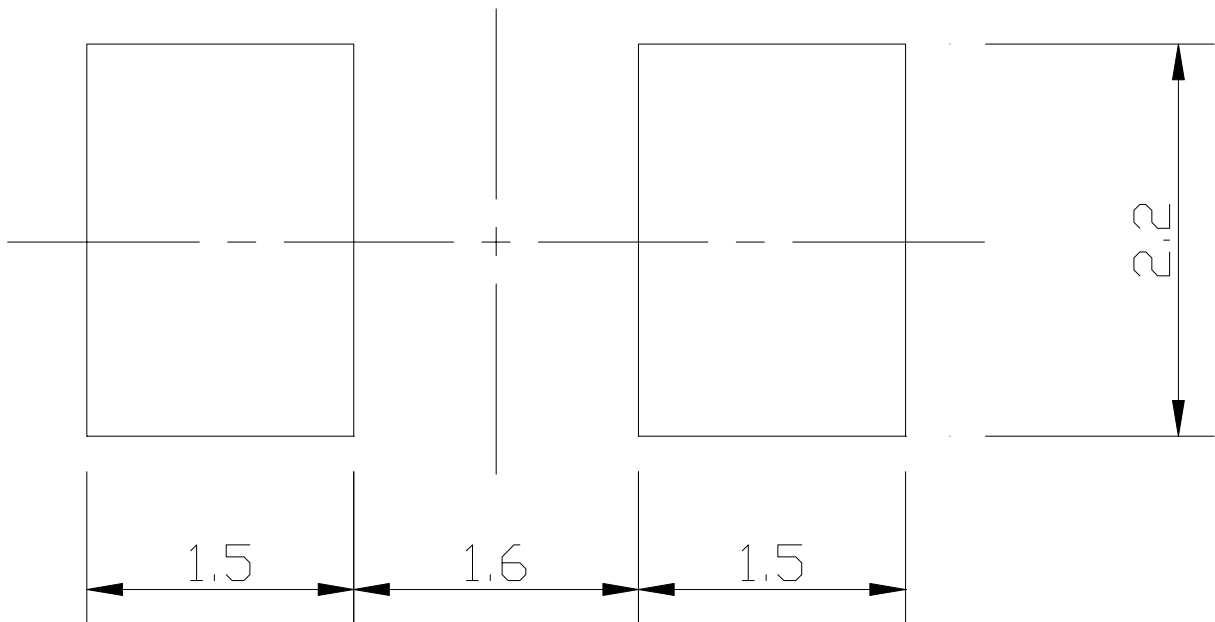
DATE: 08/13/2004

cosmo ELECTRONICS CORPORATION	SMD LED : KL-670URO	NO. 61L40008	REV. 1
		SHEET 6 OF 9	

UNIT:MM

The following soldering patterns are recommended for reflow-soldering:

For reflow soldering



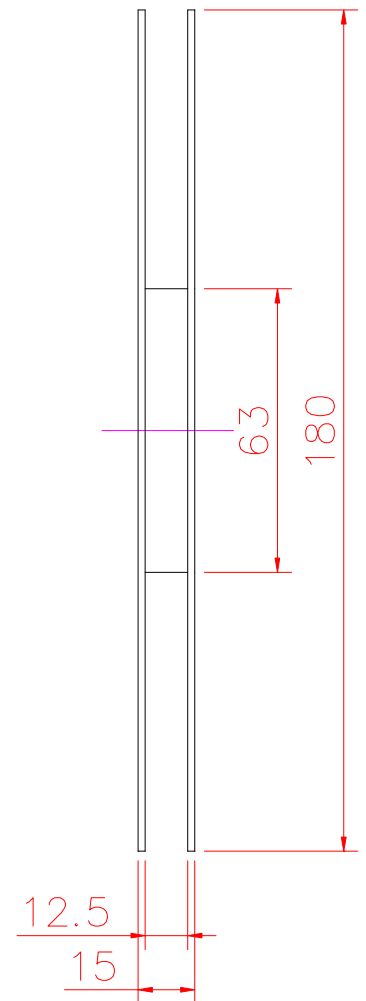
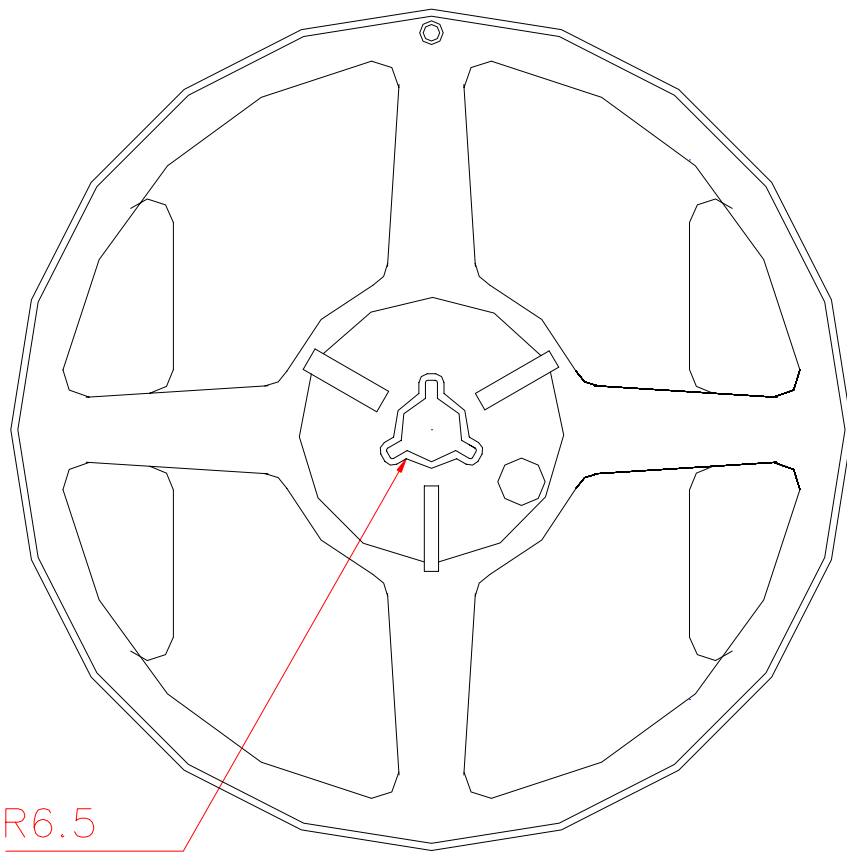
PRODUCT SPECIFICATION

DATE: 08/13/2004

cosmo ELECTRONICS CORPORATION	SMD LED :	NO. 61L40008	REV.
	KL-670URO	SHEET 7 OF 9	1

UNIT:MM

TOLERANCE: ± 0.25



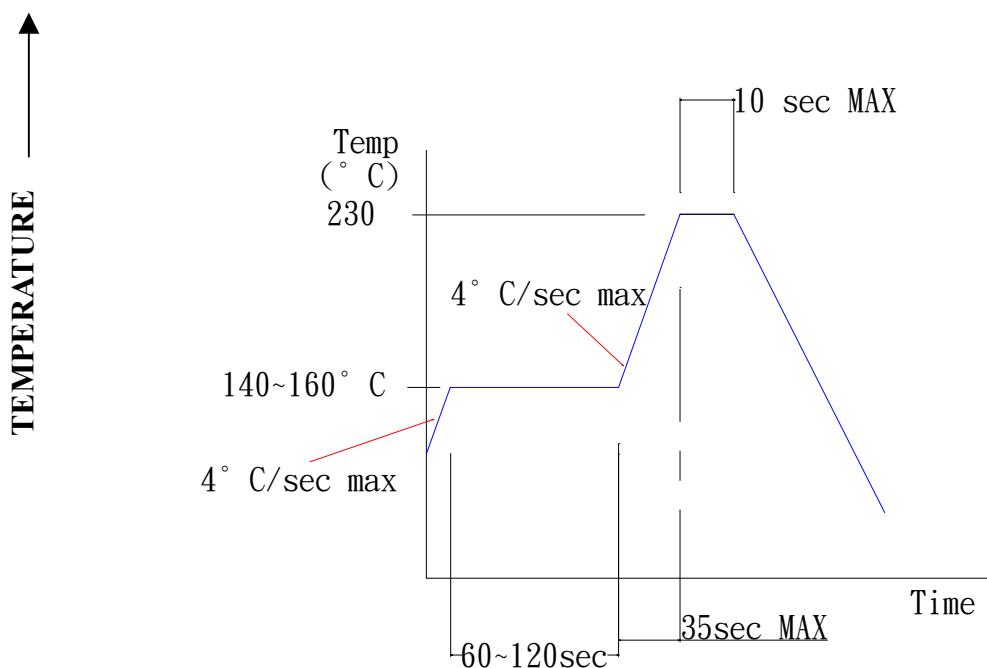
PRODUCT SPECIFICATION

DATE: 08/13/2004

cosmo ELECTRONICS CORPORATION	SMD LED : KL-670URO	NO. 61L40008	REV. 1
		SHEET 8 OF 9	

SOLDERING

SMT REFLOW SOLDERING INSTRUCTIONS



SOLDERING INSTRUCTIONS

TYPES	DIP AND WAVE SOLDERING			IRON SOLDERING(WITH 1.5mm IRON TIP)		
	TEMPERATURE OF THE SOLDERING BATH	MAXIMUM SOLDERING TIME	DISTANCE FROM SOLDER JOINT TO CASE	TEMPERATURE OF SOLDERING IRON	MAXIMUM SOLDERING TIME	DISTANCE FROM SOLDER JOINT TO CASE
LEDS	≤ 260°C	3S	> 2mm	≤ 260°C	3S	> 2mm
	≤ 260°C	5S	> 4mm	≤ 260°C	5S	> 4mm
DISPLAYS	≤ 260°C	3S	> 2mm	≤ 260°C	3S	> 2mm
DISPLAYS	≤ 260°C	3S	> 2mm	≤ 260°C	3S	> 2mm

PRODUCT SPECIFICATION

DATE: 08/13/2004

cosmo ELECTRONICS CORPORATION	SMD LED : KL-670URO	NO. 61L40008	REV.
		SHEET 9 OF 9	1

SMD HANDLING AND APPLICATION PRECAUTIONS

STORAGE

(1.1) It is recommended to store the devices in accordance with the following conditions:

Humidity: 60%RH Max.

Temperature: 5°C~30°C (41°F~86°F)

(1.2) Shelf life in sealed bag: 12 month at <5°C~30°C and <30%RH.

After the package is opened, the products should be used within 72hrs.

Or they should be kept at $\leq 20\%$ RH in zip -locked sealed bags.

DRY PACK AND BAKING

SMD LEDs are MOISTURE SENSITIVE devices. Avoid absorbing moisture at any time during transportation and/or storage. It is recommended to bake before soldering when the pack is unsealed after 72 hrs, or any suspicious moisture being found. Bake devices in accordance with the following conditions:

(a) 60±3°C x (12~24hrs) and <5%RH, taped reel type

(b) 100±3°C x (45min~1hr), loose packing type, or

(c) 130±3°C x (15~30min), loose packing type

ELECTRIC STATIC DISCHARGE(ESD) PROTECTION

Materials with GaN, InGaN, AlInGaP are STATIC SENSITIVE devices. They will be packed in anti-static bags. ESD protection must be deliberately observed from the initial design stage. The static -electric discharge may result in severe malfunction of the devices. In the events of manual working in process, make sure the devices are well protected from ESD at any time. Surge before and during handling products.