

PLEASE CHECK WWW.MOLEX.COM FOR LATEST PART INFORMATION

Part Number: **0855861003**
Status: **Active**
Overview: magnetic modular jacks
Description: HyperJack™ 1000 PoE Module, 4/4

Documents:

[3D Model](#) [Product Specification PS-85586-001 \(PDF\)](#)
[Drawing \(PDF\)](#) [RoHS Certificate of Compliance \(PDF\)](#)

General

Product Family Modular Jacks/Plugs
Series 85586
Component Type PCB Jack
Magnetic Yes
Overview magnetic modular jacks
Performance Category 5e
Power over Ethernet (PoE) PoE
Product Name HyperJack™PoE

Physical

Boot Color N/A
Color - Resin Black
Durability (mating cycles max) 750
Inverted / Top Latch Yes
Keying to Mating Part Yes
Lightpipes/LEDs LEDs
Material - Metal Brass, Phosphor Bronze
Material - Plating Mating Gold
Material - Plating Termination Tin
Material - Resin High Temperature Thermoplastic
Orientation Right Angle (Side Entry)
PCB Locator Yes
PCB Retention Yes
PCB Thickness Recommended (in) 0.140 In
PCB Thickness Recommended (mm) 3.60 mm
Packaging Type Tray
Ports 8
Positions / Loaded Contacts 8/8
Surface Mount Compatible (SMC) No
Temperature Range - Operating 0°C to +70°C, 75°C
Termination Interface: Style Through Hole
Waterproof / Dustproof No
Wire/Cable Type CAT 5, CAT 6

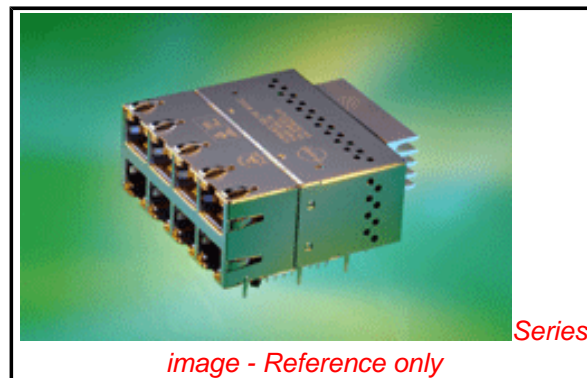
Electrical

Current - Maximum per Contact 4A
Grounding to PCB Yes
Grounding to Panel Yes
Shielded Yes
Voltage - Maximum 57V

Solder Process Data

Lead-free Process Capability Wave Capable (TH only)
Process Temperature max. C 260

Material Info



EU RoHS
ELV and RoHS
Compliant
REACH SVHC
Not Reviewed
Halogen-Free
Status
Not Reviewed

China RoHS



Need more information on product environmental compliance?

Email productcompliance@molex.com
For a multiple part number RoHS Certificate of Compliance, [click here](#)

Please visit the [Contact Us](#) section for any non-product compliance questions.

Search Parts in this Series

[85586Series](#)

Mates With

[90075](#) , Plugs conforming to IEC 60603-7, [95043](#) , [85568](#)

Reference - Drawing Numbers

Packaging Specification

Product Specification

Sales Drawing

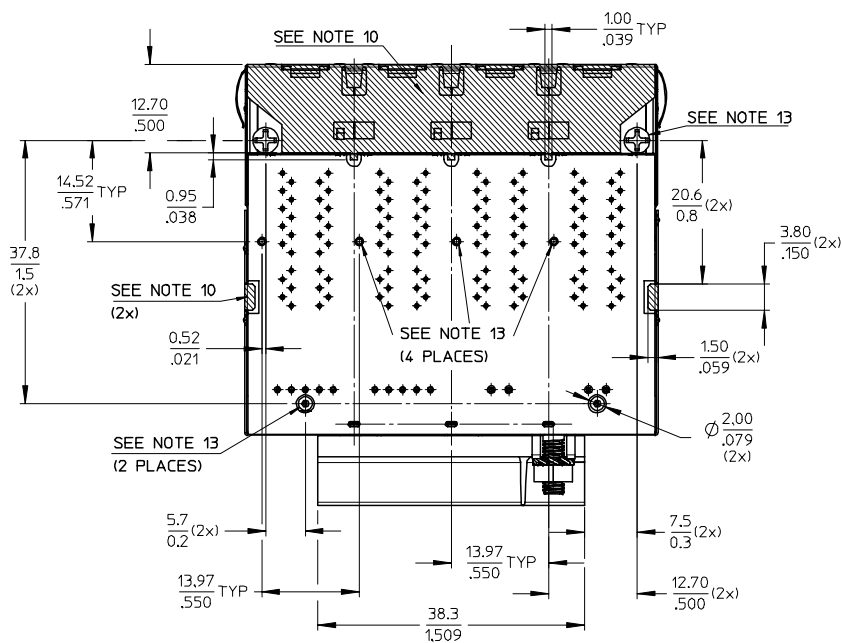
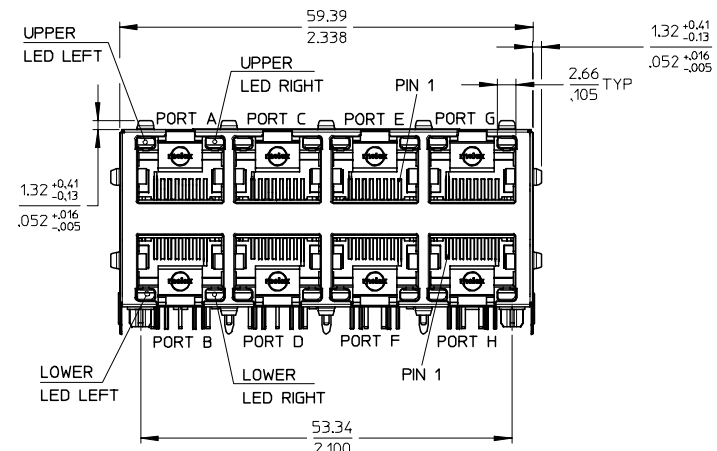
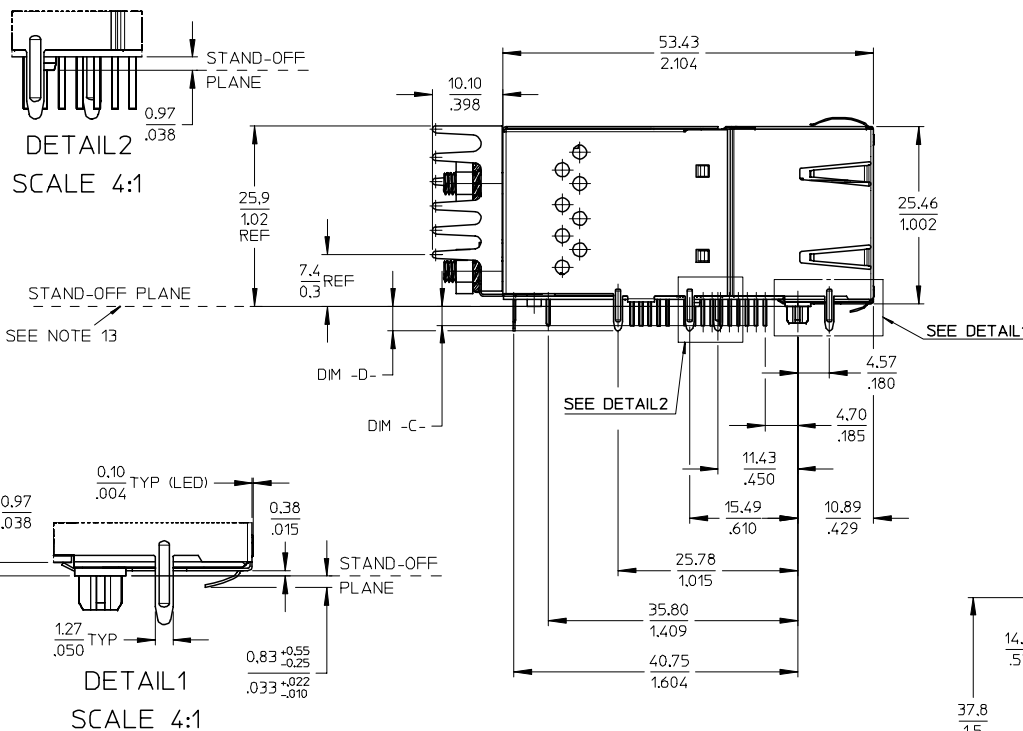
PK-85586-001

PS-85586-001

SD-85586-013

This document was generated on 06/08/2010

PLEASE CHECK WWW.MOLEX.COM FOR LATEST PART INFORMATION



MATERIAL NUMBER	NUMBERS OF PORTS	DIM -C-	DIM -D-	SEE NOTE
85586-1003	4/4	4.0/0.157	3.8/0.150	12

PATENTS PENDING

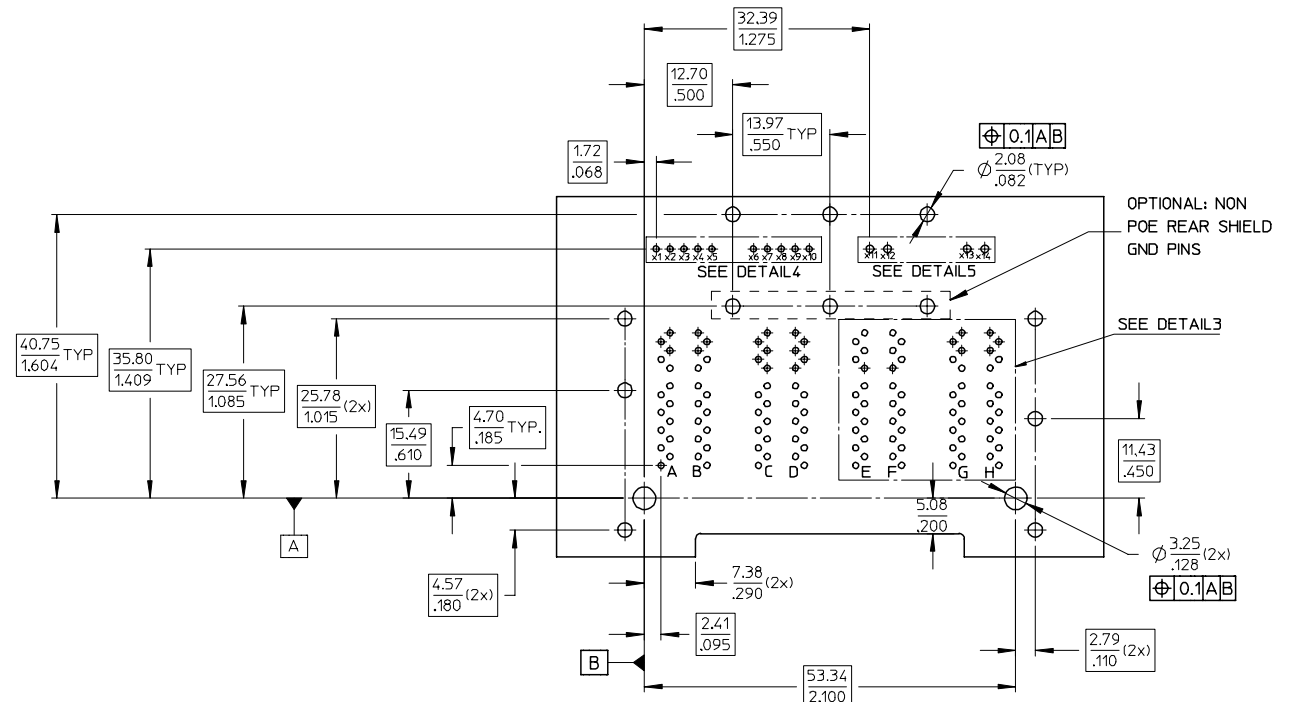
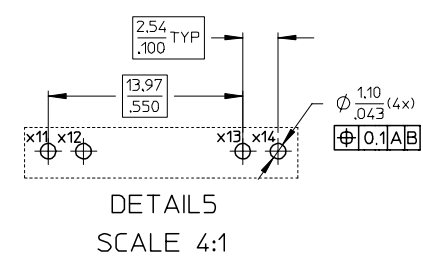
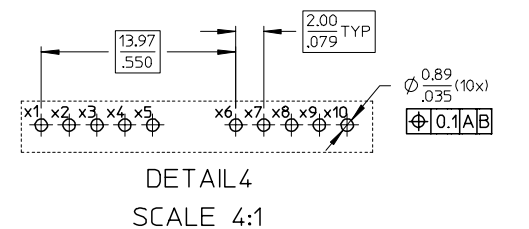
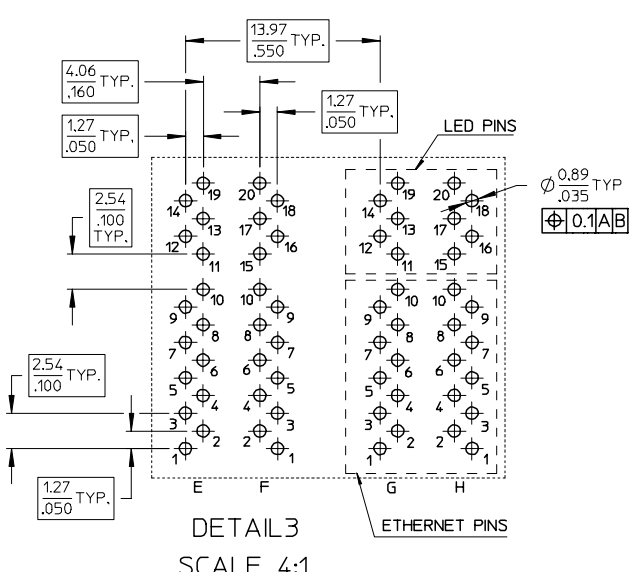
NOTES:

- 1- SHIELD MATERIAL: BRASS; PLATING: NICKEL
- 2- HOUSING MATERIAL: THERMOPLASTIC UL 94-V0, COLOR BLACK
- 3- TERMINAL: PHOSPHOR BRONZE
PLATING:
POSTPLATE OR SPOTPLATE 0.00127 / .00005 MIN GOLD
OVER 0.00127 / .00005 MIN NICKEL IN CONTACT AREA
0.00190 / .000075 MIN 100% TIN IN TAIL AREA, BOTH OVER
0.00127 / .000050 MIN NICKEL OVER ALL.
- 4- JACK TO BE MATCHED WITH F.C.C. 68.5 PLUGS (MOLEX-PLUGS: 85568,95043,90075-SERIES)
- 5- PRODUCT SPECIFICATION: PS-85586-001
- 6- PACKAGING SPECIFICATION: PK-85586-001
- 7- RECOMMENDED PCB LAYOUT AND PANEL CUT OUT SEE SHEET 2
- 8- NO TRACES WITHOUT INSULATION ALLOWED ON BOARD PCB IN THIS DASHED AREAS UNDER THE METAL SHIELD
- 9- PIN LENGTH FOR RECOMMENDED PCB MAX. THICKNESS OF .140" REFER TO STANDARD IPC 610 REVISION C, CLASS 2
- 10- STAND-OFF PLANE TO CUSTOMER PCB
- 11- PLEASE REQUEST MOLEX FOR A FRENCH INSTALLATION MANUAL IF DISTRIBUTED IN CANADA

REV	DESCRIPTION	QUALITY SYMBOLS	GENERAL TOLERANCES (UNLESS SPECIFIED)		DIMENSION STYLE		SCALE	DESIGN UNITS	THIRD ANGLE PROJECTION	
			mm	INCH	MM/IN	DATE	TITLE	METRIC		
1	EC NO. MG2007-0091	▽=0	4 PLACES ± ---	± ---	DRAWN BY	DATE	2:1	METRIC	HYPERJACK 1000 POE-MODULE 2X4 W. POWER OVER PIN (POP), SWAPPED PORTS	
2	DRW:RSCHIEBER 2007/03/19	▽=0	3 PLACES ± ---	± .006	CHECKED BY	DATE			MOLEX INCORPORATED	
	CHKD:MARLT 2007/03/19		2 PLACES ± 0.15	± .01	APPROVED BY	DATE			SD-85586-013	
	APPR:AVOGT 2007/03/26		1 PLACE ± 0.25	± ---	MATERIAL NO.	2005/12/08			SHEET NO. 1 OF 3	
			ANGULAR ± 5 °		DRAWN BY RSCHIEBER 2005/12/08				THIS DRAWING CONTAINS INFORMATION THAT IS PROPRIETARY TO MOLEX INCORPORATED AND SHOULD NOT BE USED WITHOUT WRITTEN PERMISSION	
			DRAFT WHERE APPLICABLE MUST REMAIN WITHIN DIMENSIONS		CHECKED BY SSTE INKE 2005/12/08					
					APPROVED BY AVOGT 2005/12/08					
					MATERIAL NO. SD-85586-013					
					DOCUMENT NO. SD-85586-013					

13 12 11 10 9 8 7 6 5 4 3 2 1

J
I
H
G
F
E
D
C
B
A



PRELIMINARY FOR
PROTO 1

PATENTS PENDING

EC NO. MG2007-0091 DRAWN BY: RSCHEIBER CHECKED BY: MARLT APPROVED BY: AVOGT DATE: 2007/03/19 DATE: 2007/03/19 DATE: 2007/03/26	QUALITY SYMBOLS ▽=0 ▽=0	GENERAL TOLERANCES (UNLESS SPECIFIED)		DIMENSION STYLE MM/IN		SCALE 2:1	DESIGN UNITS METRIC	THIRD ANGLE PROJECTION
		4 PLACES ± --- ± --- 3 PLACES ± --- ± .006 2 PLACES ± 0.15 ± .01 1 PLACE ± 0.25 ± --- ANGULAR ± 5 °	mm INCH	DRAWN BY RSCHEIBER	DATE 2005/12/08	CHECKED BY SSTE INKE	DATE 2005/12/08	TITLE HYPERJACK 1000 POE-MODULE 2X4 W. POWER OVER PIN (POP), SWAPPED OVER
2 REV	DRAFT WHERE APPLICABLE MUST REMAIN WITHIN DIMENSIONS	SEE SHEET 1		MATERIAL NO. AVOGT	DATE 2005/12/08	MOLEX INCORPORATED		
		DRAFT WHERE APPLICABLE MUST REMAIN WITHIN DIMENSIONS		SEE SHEET 1		DOCUMENT NO. SD-85586-013	SHEET NO. 2 OF 3	

12 11 10 9 8 7 6 5 4 3 2 1

13 12 11 10 9 8 7 6 5 4 3 2 1

J

I

H

G

F

E

D

C

B

A

J

I

H

G

F

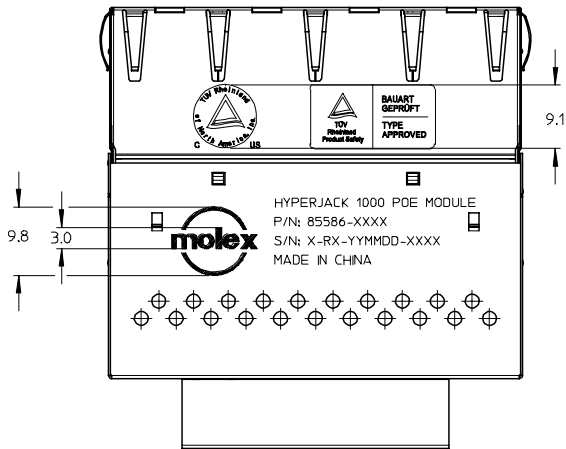
E

D

C

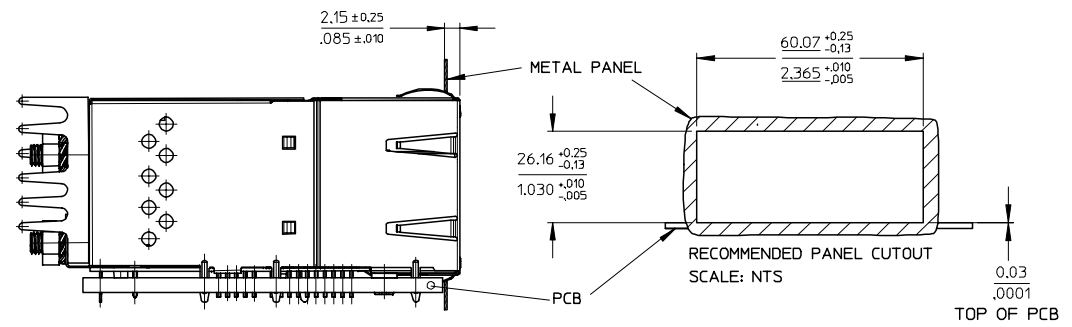
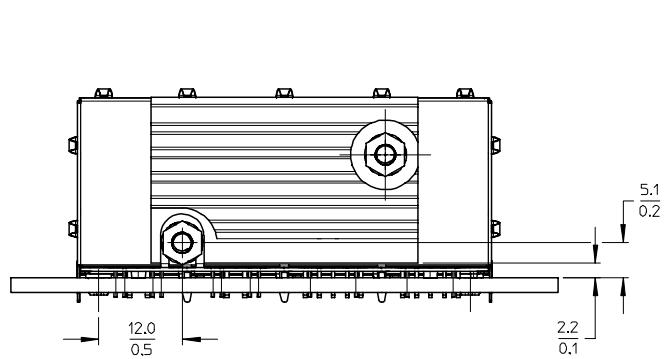
B

A



NOTES:

- 1- MOLEX LOGO, TUV LOGO AND INSCRIPTION TO BE MARKED WITH LASER PRINTER
- 2- INSCRIPTION:
 - 1st LINE: PART NAME
 - 2nd LINE: PART NUMBER
 - 3rd LINE: SERIES NUMBER -> MANUFACTURER ID - CONNECTOR REVISION - DATE CODE (YEAR, MONTH, DAY) - CONSECUTIVE NUMBER
 - 4th LINE: COUNTRY OF ORIGIN



EC NO: MG2007-0091 2 DRW:RSCHIEBER 2007/03/19 CHK:MARLT 2007/03/19 APPR:AVOGT 2007/03/26 REV DESCRIPTION	QUALITY SYMBOLS $\nabla=0$ $\nabla=0$	GENERAL TOLERANCES (UNLESS SPECIFIED) <table border="1"> <tr> <th></th> <th>mm</th> <th>INCH</th> </tr> <tr> <td>4 PLACES</td> <td>$\pm .005$</td> <td>$\pm .0002$</td> </tr> <tr> <td>3 PLACES</td> <td>$\pm .006$</td> <td>$\pm .0002$</td> </tr> <tr> <td>2 PLACES</td> <td>± 0.15</td> <td>$\pm .01$</td> </tr> <tr> <td>1 PLACE</td> <td>± 0.25</td> <td>$\pm .01$</td> </tr> <tr> <td colspan="3">ANGULAR $\pm 5^\circ$</td> </tr> </table>		mm	INCH	4 PLACES	$\pm .005$	$\pm .0002$	3 PLACES	$\pm .006$	$\pm .0002$	2 PLACES	± 0.15	$\pm .01$	1 PLACE	± 0.25	$\pm .01$	ANGULAR $\pm 5^\circ$			DIMENSION STYLE MM/IN	SCALE 2:1	DESIGN UNITS METRIC	THIRD ANGLE PROJECTION
		mm	INCH																					
4 PLACES	$\pm .005$	$\pm .0002$																						
3 PLACES	$\pm .006$	$\pm .0002$																						
2 PLACES	± 0.15	$\pm .01$																						
1 PLACE	± 0.25	$\pm .01$																						
ANGULAR $\pm 5^\circ$																								
DRAFT WHERE APPLICABLE MUST REMAIN WITHIN DIMENSIONS		DRAWN BY RSCHIEBER	DATE 2005/12/08	TITLE HYPERJACK 1000 POE-MODULE 2X4 W. POWER OVER PIN (POP), SWAPPED PORTS																				
		CHECKED BY SSTE INKE	DATE 2005/12/08	MOLEX INCORPORATED																				
		APPROVED BY AVOGT	DATE 2005/12/08	MATERIAL NO. SD-85586-013	DOCUMENT NO. SD-85586-013	SHEET NO. 3 OF 3																		
THIS DRAWING CONTAINS INFORMATION THAT IS PROPRIETARY TO MOLEX INCORPORATED AND SHOULD NOT BE USED WITHOUT WRITTEN PERMISSION																								

12 11 10 9 8 7 6 5 4 3 2 1