

**PLEASE CHECK WWW.MOLEX.COM FOR LATEST PART INFORMATION**

**Part Number:** [0475969930](#)  
**Status:** **Active**  
**Description:** LGA 1156 Back-plate Assembly, Shoulder Screw and 2 Pan Screws for Desktop PC, Lead-free

**Documents:**

[Drawing \(PDF\)](#) [RoHS Certificate of Compliance \(PDF\)](#)  
[Product Specification PS-47596-001 \(PDF\)](#)

**General**

Product Family	Processor Sockets
Series	47596
Component Type	Back Plate Assembly
Product Name	LGA1156

**Physical**

Circuits (Loaded)	N/A
Durability (mating cycles max)	20
Material - Metal	Steel
Material - Plating Mating	Nickel
Packaging Type	Tray
Pitch - Mating Interface (in)	0.000 In
Pitch - Mating Interface (mm)	0.00 mm
Temperature Range - Operating	-25°C to +100°C
Termination Interface: Style	Screw or Lug

**Electrical**

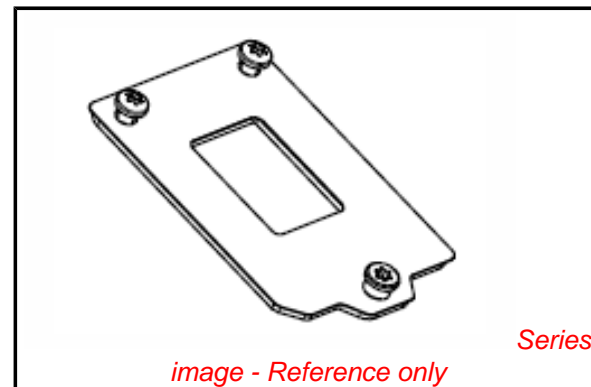
Current - Maximum per Contact	N/A
Voltage - Maximum	N/A

**Material Info**

**Reference - Drawing Numbers**

Packaging Specification	PK-47596-107
Product Specification	PS-47596-001
Sales Drawing	SD-47596-107

Intel and Nehalem and relevant names are either trademarks or registered trademarks of Intel Corporation



**EU RoHS**

**ELV and RoHS  
Compliant**  
**REACH SVHC  
Contains SVHC: No  
Halogen-Free  
Status**

**China RoHS**



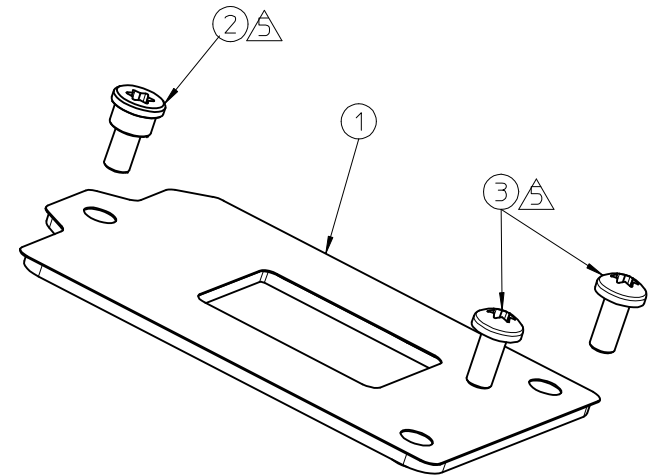
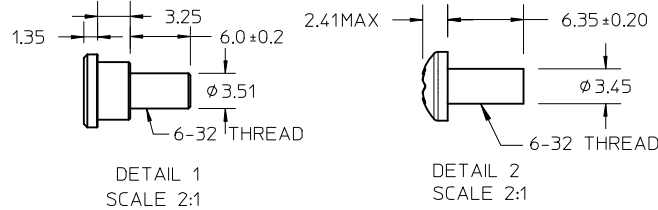
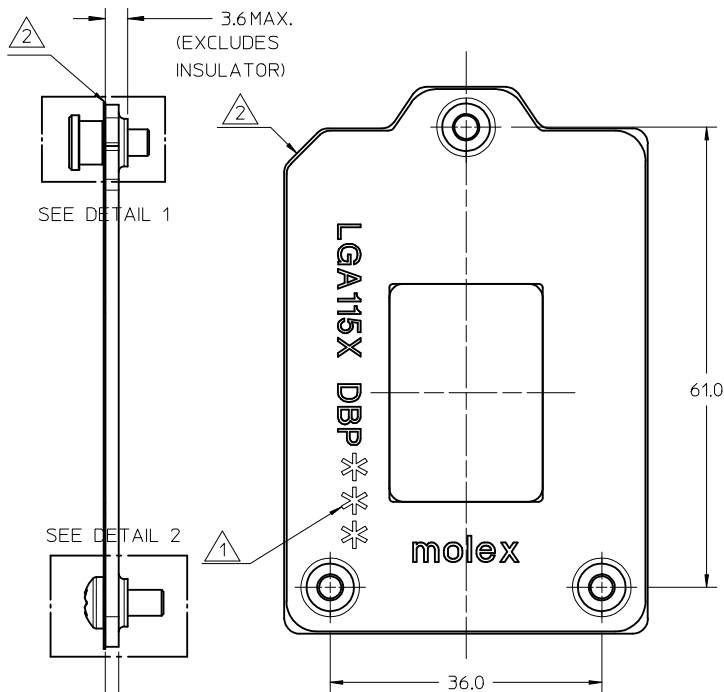
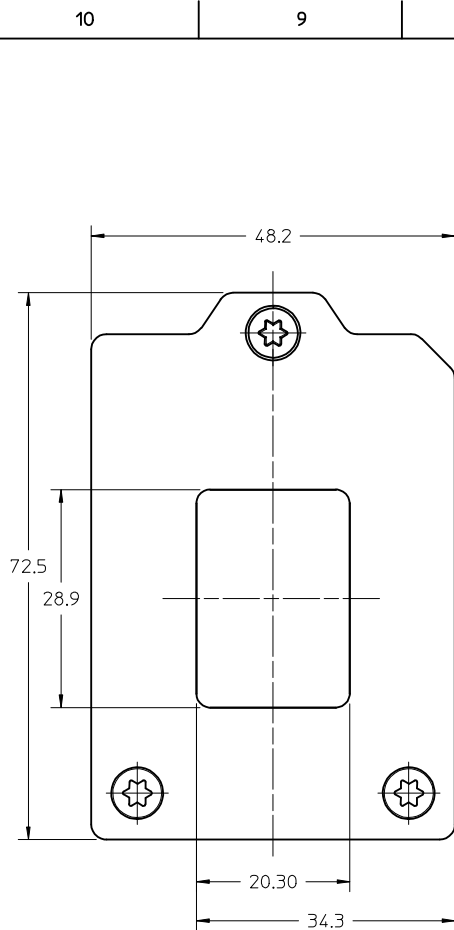
**Need more information on product  
environmental compliance?**

Email [productcompliance@molex.com](mailto:productcompliance@molex.com)  
 For a multiple part number RoHS Certificate of Compliance, [click here](#)

Please visit the [Contact Us](#) section for any non-product compliance questions.

**Search Parts in this Series**  
[47596Series](#)

**Mates With**  
 Intel\* Nehalem Processor



47596-8830	WITH HALOGEN FREE
47596-9930	WITHOUT HALOGEN FREE
PART NO.	DESCRIPTION

- NOTES:
- DATE CODE
    - \*\*\* WORKING DAY
    - WORKING MONTH
    - WORKING YEAR
  - INSULATOR OVERHANGS ALL EXTERNAL EDGES.
  - 6-32 UNC MIN 3MM THREAD DEPTH
  - PART IS COMPLIANT TO RoHS DIRECTIVE 2002/95/EC AND ELV 2000/53/EC.
  - SCREWS ARE PACKAGED INTO PLASTIC BAG AND SHIPPED WITH BACKPLATE.

PARTS LIST			
ITEM NO	QTY	DESCRIPTION	MATERIAL
	1	TOP ASSY W/SCREWS(47596-***30)	
①	1	SOCKET BACK PLATE ASSY (47596-***13)	BACK PLATE(STEEL WITH NICKEL PLATING) INSULATOR(POLYPROPYLENE SHEET)
②	1	SHOULDER SCREW 6-32(475976001)	LOW CARBON STEEL WITH NICKEL PLATING
③	2	PANHEAD SCREW 6-32(475976002)	LOW CARBON STEEL WITH NICKEL PLATING

ENTER DESCRIPTION EC NO: SH2010-0085 DRWN: ZHANG11 2009/09/25 CHKD: 2009/09/25 APPR: WFDENG 2009/10/12	QUALITY SYMBOLS $F_{\Delta} = 0$ $F_{\square} = 0$ $F_{\nabla} = 0$	GENERAL TOLERANCES (UNLESS SPECIFIED)		DIMENSION STYLE	SCALE	DESIGN UNITS	THIRD ANGLE PROJECTION		
				MM ONLY	1.5:1	METRIC			
				DRAWN BY	DATE	TITLE	SOCKET 115X BACKPLATE ASSEMBLY WITH SCREWS		
				CHECKED BY	DATE				
		APPROVED BY		DATE	MOLEX INCORPORATED				
		MATERIAL NO.		DOCUMENT NO.				SHEET NO.	
		DRAFT WHERE APPLICABLE MUST REMAIN WITHIN DIMENSIONS		SEE TABLE	SD-47596-107		1 OF 1		
		THIS DRAWING CONTAINS INFORMATION THAT IS PROPRIETARY TO MOLEX INCORPORATED AND SHOULD NOT BE USED WITHOUT WRITTEN PERMISSION							