

PLEASE CHECK WWW.MOLEX.COM FOR LATEST PART INFORMATION

Part Number: [0475969914](#)
Status: **Active**
Description: LGA 1156 ILM and Back-plate Assembly for Desktop PC, Shepherd Hook Lever, Lead-free

Documents:

[Drawing \(PDF\)](#) [RoHS Certificate of Compliance \(PDF\)](#)
[Product Specification PS-47596-001 \(PDF\)](#)

General

Product Family	Processor Sockets
Series	47596
Component Type	Back Plate, ILM Assembly
Product Name	LGA1156

Physical

Circuits (Loaded)	N/A
Durability (mating cycles max)	20
Material - Metal	Stainless Steel, Steel
Material - Plating Mating	Nickel
Packaging Type	Tray
Pitch - Mating Interface (in)	0.000 In
Pitch - Mating Interface (mm)	0.00 mm
Temperature Range - Operating	-25°C to +100°C
Termination Interface: Style	Screw or Lug

Electrical

Current - Maximum per Contact	N/A
Voltage - Maximum	N/A

Solder Process Data

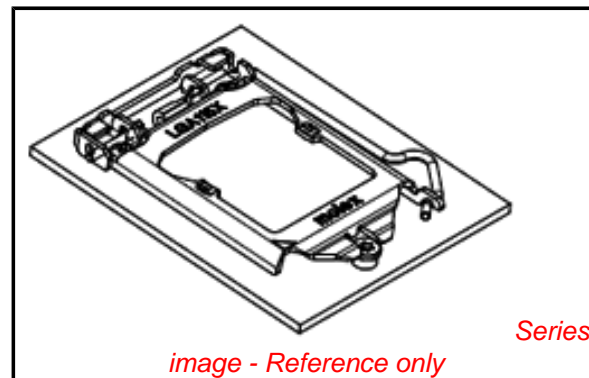
Duration at Max. Process Temperature (seconds)	3
Lead-free Process Capability	Reflow Capable (SMT only)
Max. Cycles at Max. Process Temperature	1
Process Temperature max. C	245

Material Info

Reference - Drawing Numbers

Packaging Specification	PK-47596-003
Product Specification	PS-47596-001
Sales Drawing	SD-47596-105

Intel and Nehalem and relevant names are either trademarks or registered trademarks of Intel Corporation



EU RoHS

**ELV and RoHS
Compliant**
**REACH SVHC
Contains SVHC: No
Halogen-Free
Status
Not Halogen-Free**

China RoHS



**Need more information on product
environmental compliance?**

Email productcompliance@molex.com
 For a multiple part number RoHS Certificate of Compliance, [click here](#)

Please visit the [Contact Us](#) section for any non-product compliance questions.

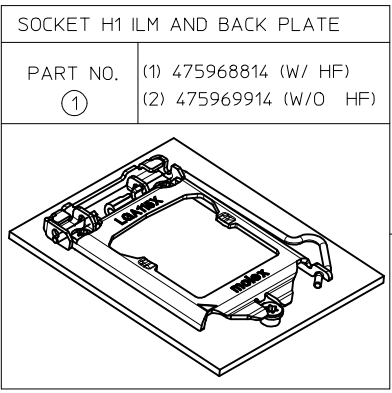
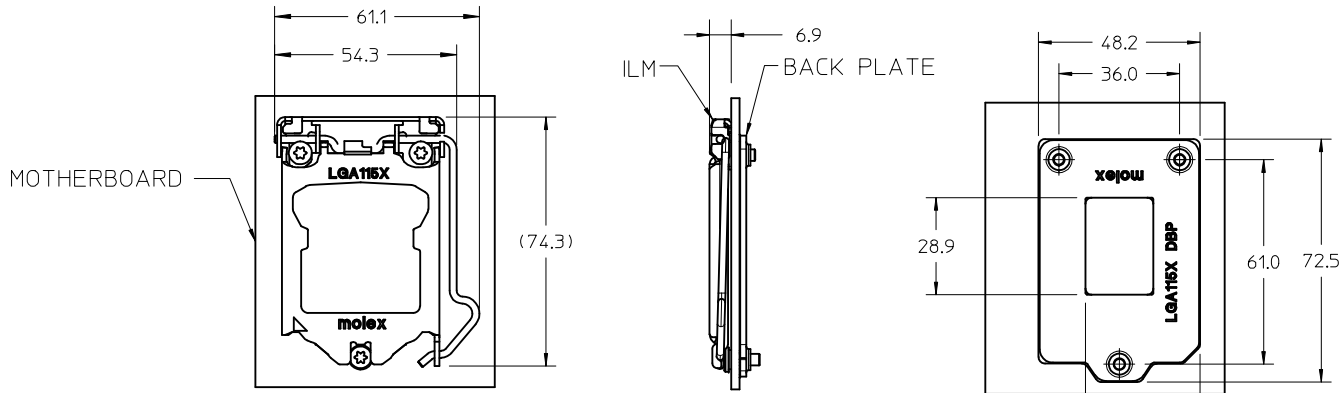
Search Parts in this Series

47596Series

Mates With

Intel* Nehalem Processor

10 9 8 7 6 5 4 3 2 1



SOCKET H1 ILM AND BACK PLATE	
PART NO.	(1) 475968814 (W/ HF) (2) 475969914 (W/O HF)
①	

ILM	
PART NO.	(1)475968811(W/ HF) (2)475969911(W/O HF)
②	

BACK PLATE	
PART NO.	(1)475968830(W/ HF) (2)475969930(W/O HF)
③	

BILL OF MATERIAL		
ITEM NO	QTY	DESCRIPTION
	1	TOP ASSY
①	1	SOCKET ILM AND BACK PLATE ASSY
②	1	SOCKET ILM ASSEMBLY
③	1	SOCKET H1 BACK PLATE ASSY W/SCREWS

NOTES

PARTS ARE COMPLIANT TO RoHS DIRECTIVE 2002/95/EC AND ELV 2000/53/EC.

47596-8814	WITH HALOGEN FREE
47596-9914	WITHOUT HALOGEN FREE
PART NO.	DESCRIPTION

ENTER DESCRIPTION EC NO: SH2010-0085 DRWN: ZHANG11 2009/09/25 CHKD: 2009/09/25 APPR: WEDENG 2009/10/12	QUALITY SYMBOLS	DESCRIPTION
	$F_A=0$	
	$F_C=0$	
	$F_B=0$	
A	REV	

GENERAL TOLERANCES (UNLESS SPECIFIED)	
	mm INCH
4 PLACES	± --- ± ---
3 PLACES	± --- ± ---
2 PLACES	± 0.15 ± ---
1 PLACE	± 0.25 ± ---
ANGULAR ±1/2°	
DRAFT WHERE APPLICABLE MUST REMAIN WITHIN DIMENSIONS	

DIMENSION STYLE IN/MM	
DRAWN BY YOSUN	DATE 2008/11/25
CHECKED BY	DATE
APPROVED BY ASHR	DATE 2008/11/26
MATERIAL NO. SEE TABLE	
SIZE A3	THIS DRAWING CONTAINS INFORMATION THAT IS PROPRIETARY TO MOLEX INCORPORATED AND SHOULD NOT BE USED WITHOUT WRITTEN PERMISSION

SCALE 1:1.5	DESIGN UNITS INCH	THIRD ANGLE PROJECTION
TITLE SOCKET 115X ILM AND BACK PLATE ASSEMBLY		
MOLEX INCORPORATED		SHEET NO. 1 OF 1
DOCUMENT NO. SD-47596-105		

9 8 7 6 5 4 3 2 1