

PLEASE CHECK WWW.MOLEX.COM FOR LATEST PART INFORMATION

Part Number: [0394260007](#)
Status: **Active**
Description: 12.00mm (.472") Pitch Beau™ EuroMax™ Right Angle PCB Header, Closed Ends, 7 Circuits, with Threaded Retention Inserts

Documents:

[3D Model](#)
[Drawing \(PDF\)](#)

[RoHS Certificate of Compliance \(PDF\)](#)

General

Product Family	Terminal Blocks
Series	39426
Application	Wire-to-Board
Component Type	PCB Header
Product Name	EuroMax™ Pluggable
Type	Euro Block

Physical

Circuits (Loaded)	7
Entry Angle	N/A
Lock to Mating Part	Yes
Material - Plating Mating	Tin
Material - Plating Termination	Tin
Number of Rows	1
Orientation	Right Angle
PC Tail Length (in)	0.169 In
PC Tail Length (mm)	4.30 mm
PCB Retention	Yes
PCB Thickness Recommended (in)	0.125 In
PCB Thickness Recommended (mm)	3.20 mm
Panel Mount	No
Pitch - Mating Interface (in)	0.472 In
Pitch - Mating Interface (mm)	12.00 mm
Plating min: Mating (µin)	150
Plating min: Mating (µm)	3.75
Plating min: Termination (µin)	150
Plating min: Termination (µm)	3.75
Polarized to Mating Part	Yes
Shrouded	Closed Ends
Stackable	No
Temperature Range - Operating	130°C
Termination Interface: Style	Through Hole
Wire Size AWG	N/A

Electrical

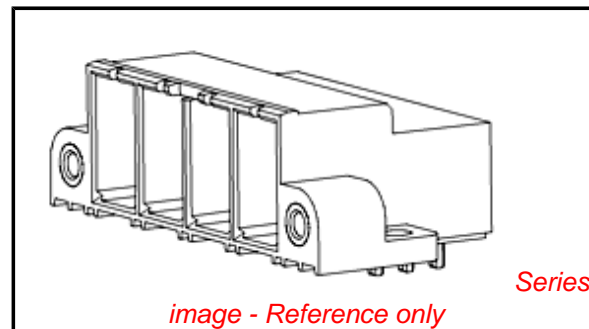
Current - Maximum per Contact	85A
Voltage - Maximum	600V

Material Info

Old Part Number	425907
-----------------	--------

Reference - Drawing Numbers

Sales Drawing	SD-39426-001
---------------	--------------



EU RoHS

**ELV and RoHS
Compliant**

REACH SVHC

Not Reviewed

Halogen-Free

Status

Not Reviewed

China RoHS



**Need more information on product
environmental compliance?**

Email productcompliance@molex.com
 For a multiple part number RoHS Certificate of Compliance, [click here](#)

Please visit the [Contact Us](#) section for any non-product compliance questions.

Search Parts in this Series

[39426Series](#)

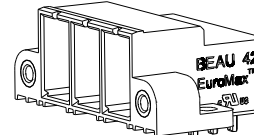
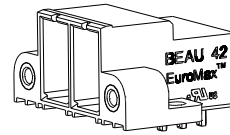
Mates With

[39421 Plugs](#)

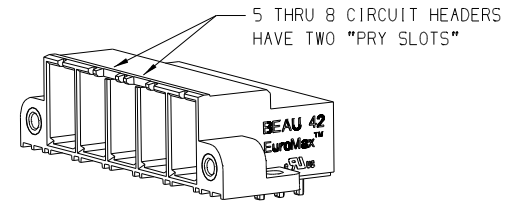
PLEASE CHECK WWW.MOLEX.COM FOR LATEST PART INFORMATION

LENGTH TABLE

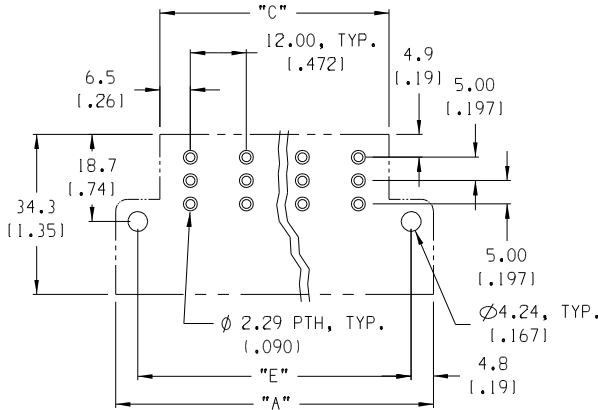
MATERIAL NO.	NO. CIRCUITS	"E"	"D"	"C"	"B"	"A"
394260002	02	34.56 (1.361)	33.35 (1.313)	25.0 (0.98)	12.00 (0.472)	44.1 (1.74)
394260003	03	46.56 (1.833)	45.35 (1.785)	37.0 (1.46)	24.00 (0.945)	56.1 (2.21)
394260004	04	58.56 (2.306)	57.35 (2.258)	49.0 (1.93)	36.00 (1.417)	68.1 (2.68)
394260005	05	70.56 (2.778)	69.35 (2.730)	61.0 (2.40)	48.00 (1.890)	80.1 (3.15)
394260006	06	82.56 (3.250)	81.35 (3.203)	73.0 (2.87)	60.00 (2.362)	92.1 (3.63)
394260007	07	94.56 (3.723)	93.35 (3.675)	85.0 (3.35)	72.00 (2.835)	104.1 (4.10)
394260008	08	106.56 (4.195)	105.35 (4.148)	97.0 (3.82)	84.00 (3.307)	116.1 (4.57)



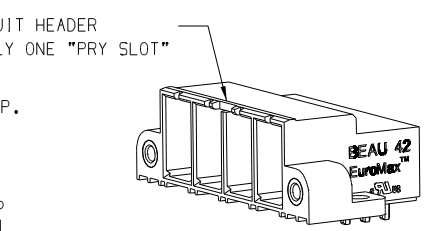
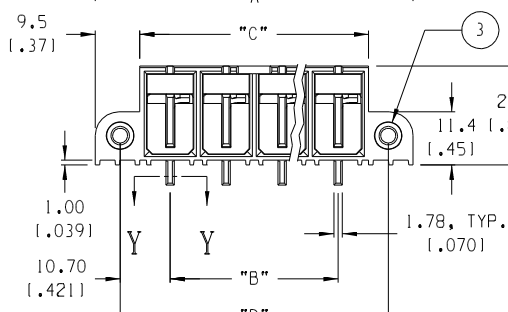
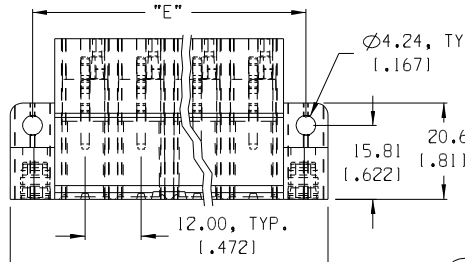
2 AND 3 CIRCUIT HEADERS
HAVE NO "PRY SLOTS"



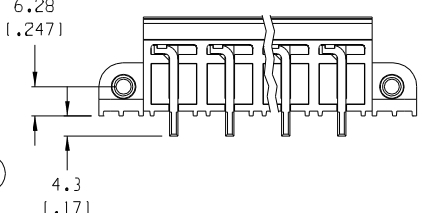
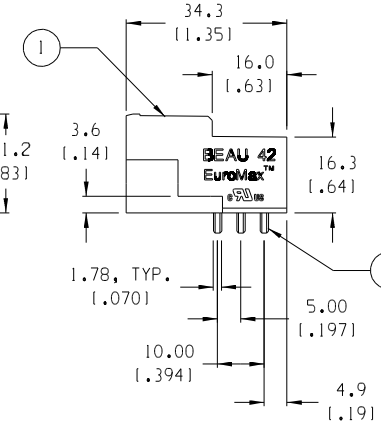
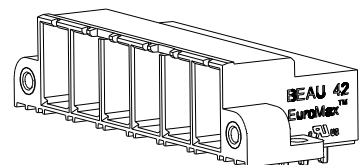
5 THRU 8 CIRCUIT HEADERS
HAVE TWO "PRY SLOTS"



RECOMMENDED PTH PATTERN



4 CIRCUIT HEADER
HAS ONLY ONE "PRY SLOT"



NOTES:

1. MATERIAL: SEE TABLE
2. FINISHES: SEE TABLE
3. PRODUCT SPECIFICATION: SEE PPS.42.001
4. PACKAGING: NOT REQUIRED
5. MATES WITH: 3942200XX PLUG
6. XX EQUALS NUMBER OF CIRCUITS

SECTION Y-Y
SCALE 3:1

ITEM	QTY.	DESCRIPTION	MATERIAL	FINISH
3	2	THD. INSERT, M4	BRASS	NONE
2	XX	BLADE CONTACT	COPPER	TIN
1	1	MOLDING, HEADER	PBT	BLACK

EC NO. RELEASED DRWING: RK 11-16-04 CH'K1 APPR:	QUALITY SYMBOLS MAJOR CRITICAL SPC S	GENERAL TOLERANCES (UNLESS SPECIFIED) mm INCH		SCALE 1:1	DESIGN UNITS <input type="checkbox"/> mm <input checked="" type="checkbox"/> INCH	THIRD ANGLE PROJECTION	PROJECT NO. 03-65 DIMENSIONS: <input checked="" type="checkbox"/> mm <input type="checkbox"/> INCH <input type="checkbox"/> mm ONLY	SHT REV REVISE ON CAD ONLY	
		4 PLACES ±.0015 3 PLACES ±.038 ±.005 2 PLACES ±.13 ±.01 1 PLACE ±.3	DRAWN BY & DATE R. KEMP 10-19-04	TITLE: HEADER, 12MM, 85A, 600V,		MOLEX INCORPORATED			
		ANGULAR: ±2°	CHECKED BY & DATE	CAD FILENAME 4259XX	MATERIAL NO. SEE CHART	DRAWING NO. SD-39426-001	SHEET NO. 1 OF 1	SIZE B	
		DRAFT WHERE APPLICABLE MUST REMAIN WITHIN DIMENSIONS	APPROVED BY & DATE	THIS DRAWING CONTAINS INFORMATION THAT IS PROPRIETARY TO MOLEX INCORPORATED AND SHOULD NOT BE USED WITHOUT WRITTEN PERMISSION.					