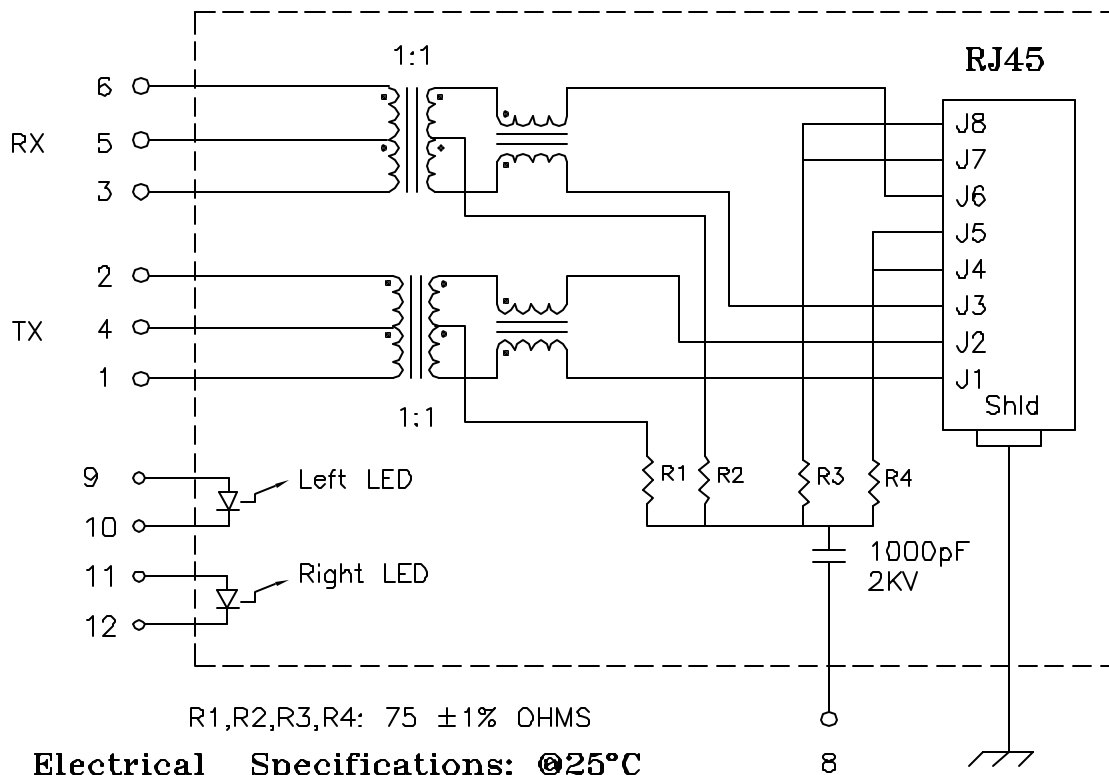


Schematic:

(One of Four)



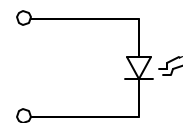
Electrical Specifications: @25°C

- Isolation Voltage: 1500 Vac
- Isolation Voltage: 500 Vac (1+2+4 to 3+5+6)
- UTP SIDE OCL: 350uH Min @100KHz 100mV 8mADC
- Leakage Inductance: P6-P3 0.3uH Max @1MHz 100mV Short J6 and J3
- Leakage Inductance: P2-P1 0.3uH Max @1MHz 100mV Short J2 and J1
- Cww: (P6, P5, & P3) to (J6 & J3) 30pF Max @1MHz 100mV
- Cww: (P2, P4, & P1) to (J2 & J1) 30pF Max @1MHz 100mV
- DCR: (J6-J3) = (J2-J1) 1.2 Ohms Max
- Rise Time (10-90%): 2.5ns Typ
- Insertion Loss (100KHz-100MHz): -1.2dB Max
- Return Loss: -18dB Min @1MHz - 30MHz
- Return Loss: -12dB Min @60MHz - 80MHz
- Crosstalk: 40dB Typ @1MHz to 100MHz
- Common Mode to Differential Mode Rejection:
30MHz-100MHz -35dB Typ (Tx) / -35dB Typ (Rx)
- Q: 18 Min @100KHz 100mV

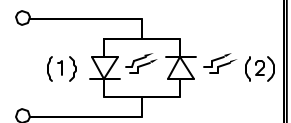
Complete the Combo P/N as follows:

Replace 'x' & 'u' in the part number with one of the LED color letters:
 Y=Yellow
 G=Green
 A=Amber
 R=Red
 C=Green(1)/Amber(2) Bicolor
 D=Amber(1)/Green(2) Bicolor
 M=Green(1)/Yellow(2) Bicolor
 N=Yellow(1)/Green(2) Bicolor
 P=Red(1)/Green(2) Bicolor
 Q=Green(1)/Red(2) Bicolor

Single Color LED:



Bi-Color LED:



Notes:

1. Solderability: Leads shall meet MIL-STD-202G, Method 208H for solderability.
2. Flammability: UL94V-0
3. ASTM oxygen index: > 28%
4. Insulation System: Class F 155°C. UL file E151556
5. Operating Temperature Range: All listed parameters are to be within tolerance from -40°C to +85°C
6. Storage Temperature Range: -55°C to +125°C
7. Aqueous wash compatible
8. Electrical and mechanical specifications 100% tested
9. RoHS Compliant Component

DOC REV: A/7

XFMRs Inc
www.XFMRs.com

Title:
Four PORT COMBO w/ LED's

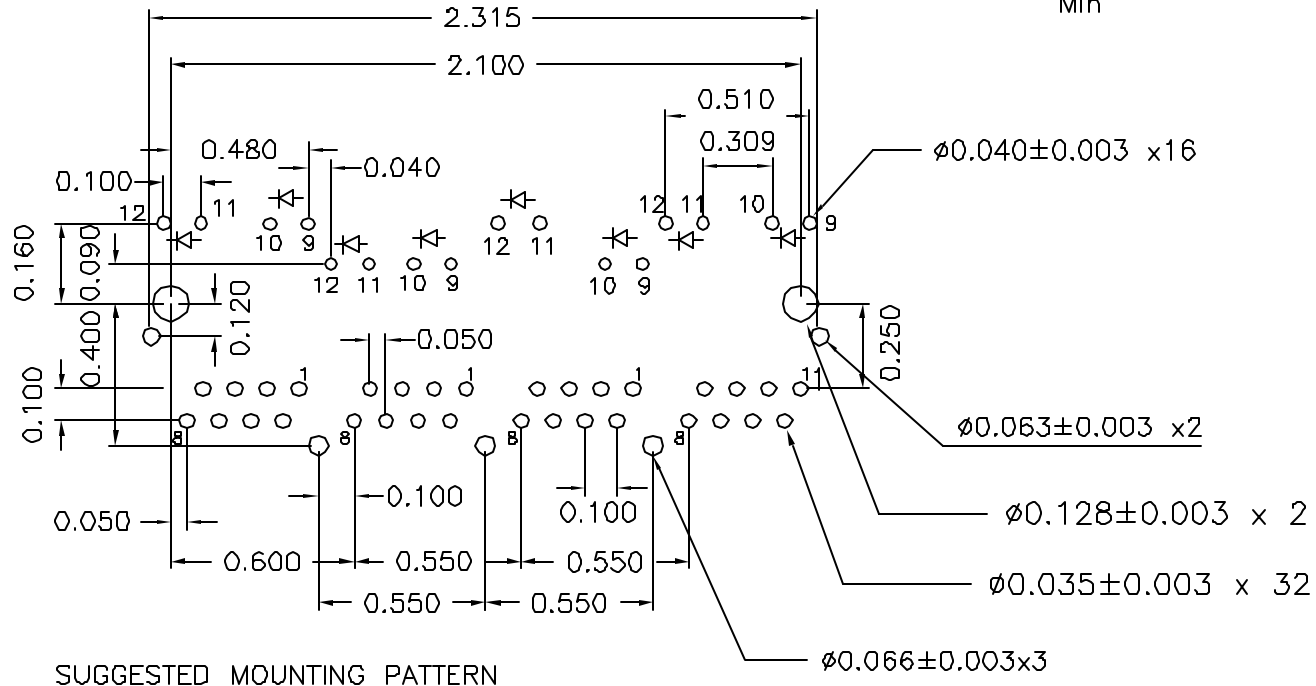
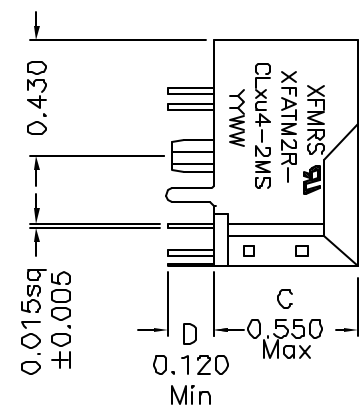
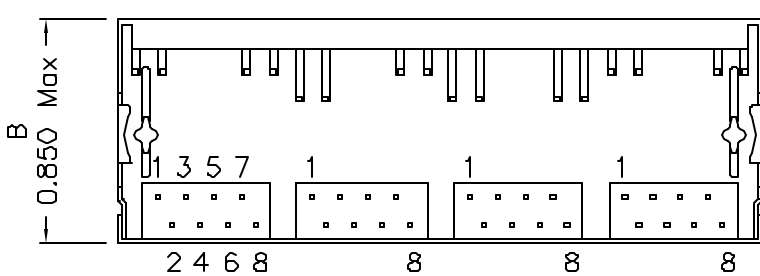
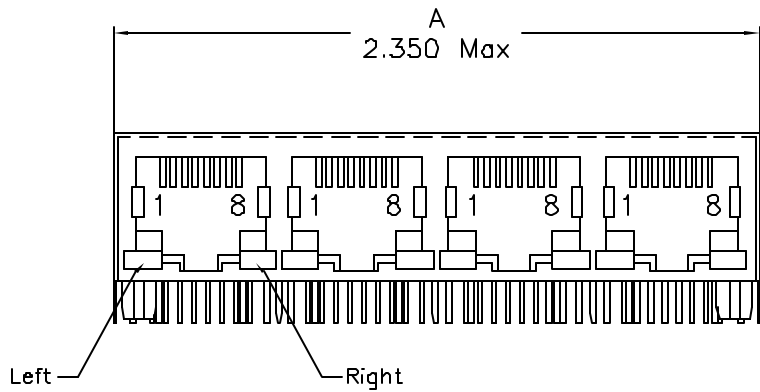
UNLESS OTHERWISE SPECIFIED
TOLERANCES:
.xxx ±0.010
Dimensions in Inch
SHEET 1 OF 2

P/N: XFATM2R-CLxu4-2MS	REV. A
DWN.	Xianyí Nov-18-09
CHK.	YK Liao Nov-18-09
APP.	Joe Huff Nov-18-09

PROPRIETARY:

Document is the property of XFMRs Group & is not allowed to be duplicated without authorization.

Mechanical Dimensions: (FOR CLxu4-2MS)



SUGGESTED MOUNTING PATTERN

DOC REV: A/7

PROPRIETARY:
Document is the property of XFMRS Group & is not allowed to be duplicated without authorization.

XFMRS Inc.	Title: FOUR PORT COMBO w/ LED's		
	UNLESS OTHERWISE SPECIFIED TOLERANCES: .xxx ± 0.010 Dimensions in Inch	P/N: XFATM2R-CLxu4-2MS	REV. A
SHEET 2 OF 2	DWN.	Xian yi	Nov-18-09
	CHK.	YK Liao	Nov-18-09
	APP.	Joe Huff	Nov-18-09