

**PLEASE CHECK WWW.MOLEX.COM FOR LATEST PART INFORMATION**

**Part Number:** [0758380705](#)  
**Status:** **Active**  
**Overview:** [gbx\\_backplane\\_connector\\_system](#)  
**Description:** 1.85mm by 1.85mm (.073 by .073") Pitch 4-Pair GbX® Backplane Connector System, Open Header, 56 Circuits, Lead Free, Pin Length 5.55mm (.219")

**Documents:**

[Drawing \(PDF\)](#) [RoHS Certificate of Compliance \(PDF\)](#)  
[Product Specification PS-75221-999 \(PDF\)](#)

**Agency Certification**

UL E29179

**General**

Product Family	Backplane Connectors
Series	<a href="#">75838</a>
Application	Backplane
Application Tooling Documents	<a href="http://www.molex.com/pdm_docs/ats/TM-622022099.pdf">Tooling Manual</a>
Comments	Open Header
Component Type	PCB Header
Overview	<a href="#">gbx_backplane_connector_system</a>
Product Name	GbX®
Style	N/A

**Physical**

Circuits (Loaded)	56
Circuits (maximum)	56
Color - Resin	Gray
Durability (mating cycles max)	200
First Mate / Last Break	No
Flammability	94V-0
Guide to Mating Part	No
Keying to Mating Part	None
Material - Metal	High Performance Alloy (HPA)
Material - Plating Mating	Gold
Material - Plating Termination	Tin
Material - Resin	High Temperature Thermoplastic
Number of Columns	7
Number of Pairs	4
Number of Rows	8
Orientation	Vertical
PC Tail Length (in)	0.091 In
PC Tail Length (mm)	2.30 mm
PCB Locator	No
PCB Retention	Yes
PCB Thickness Recommended (in)	0.063 In
PCB Thickness Recommended (mm)	1.60 mm
Packaging Type	Tube
Pitch - Mating Interface (in)	0.073 In
Pitch - Mating Interface (mm)	1.85 mm
Pitch - Term. Interface (in)	0.073 In
Pitch - Term. Interface (mm)	1.85 mm
Plating min: Mating (µin)	30
Plating min: Mating (µm)	0.76
Plating min: Termination (µin)	30

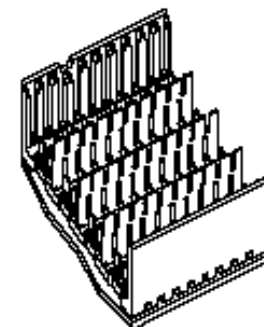


image - Reference only

Series

**EU RoHS**

**ELV and RoHS Compliant**  
**REACH SVHC Contains SVHC: No**  
**Halogen-Free Status**  
**Not Reviewed**

**China RoHS**



**Need more information on product environmental compliance?**

Email [productcompliance@molex.com](mailto:productcompliance@molex.com)  
 For a multiple part number RoHS Certificate of Compliance, [click here](#)

Please visit the [Contact Us](#) section for any non-product compliance questions.

**Search Parts in this Series**

[75838Series](#)

**Mates With**

[75878 Daughtercard Assembly](#)

Plating min: Termination (µm)	0.76
Polarized to PCB	No
Stackable	No
Surface Mount Compatible (SMC)	Yes
Temperature Range - Operating	105°C
Termination Interface: Style	Through Hole - Compliant Pin

### **Electrical**

Current - Maximum per Contact	1A
Data Rate	8.0 Gbps
Shield Type	Ground Plane Shield
Shielded	Yes
Voltage - Maximum	120V AC (RMS)/DC

### **Material Info**

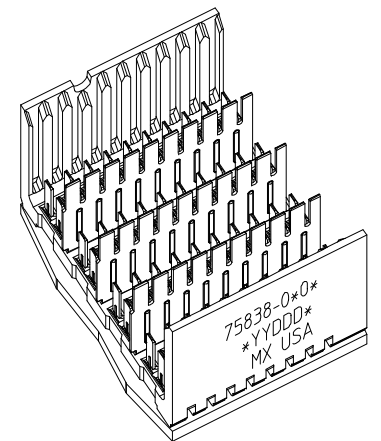
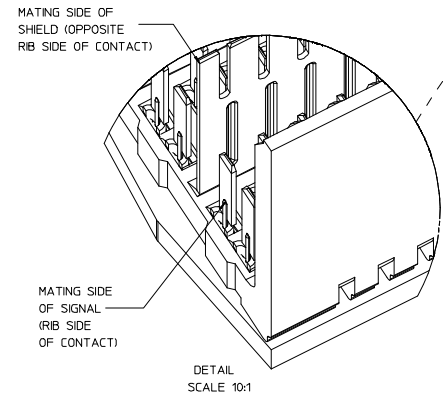
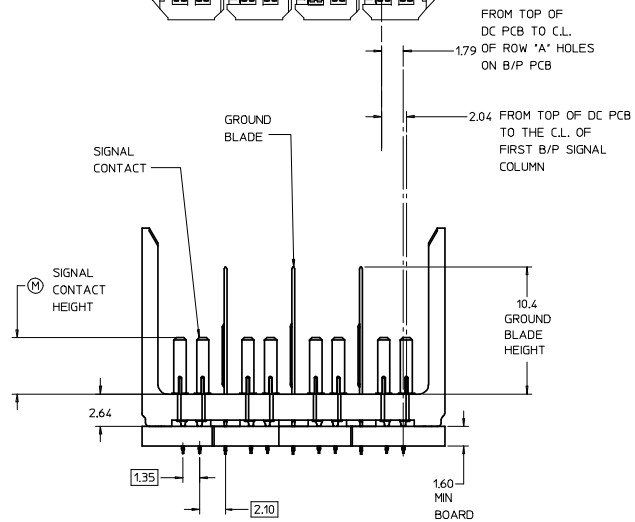
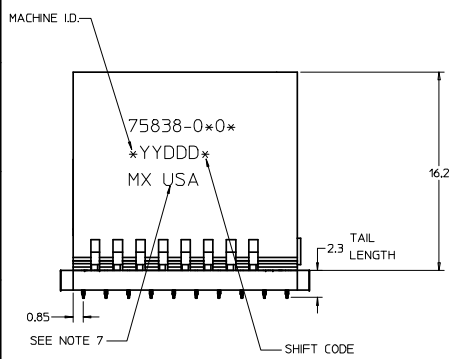
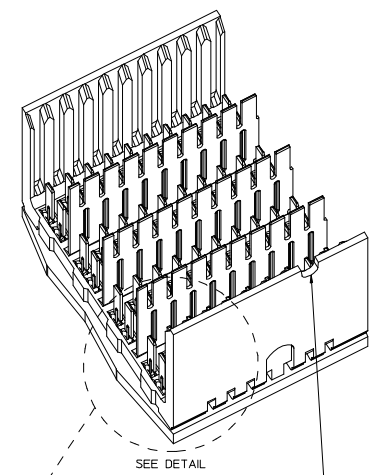
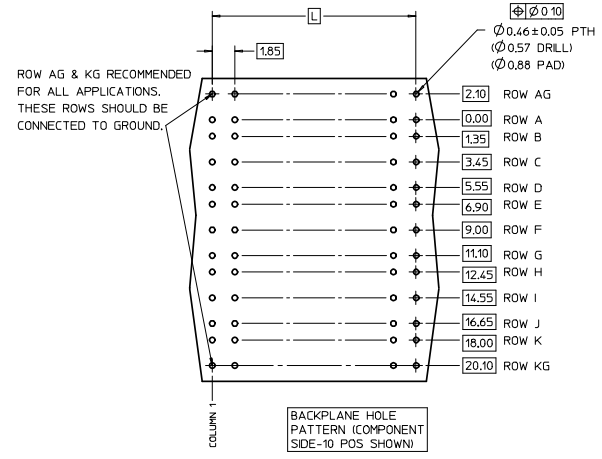
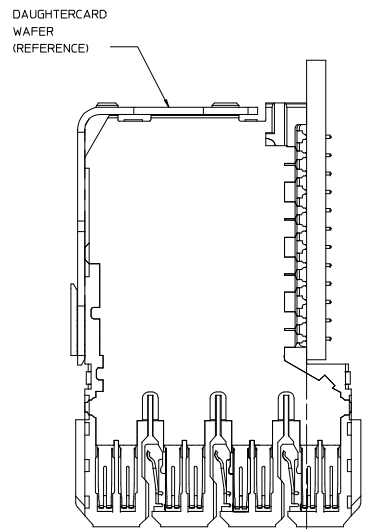
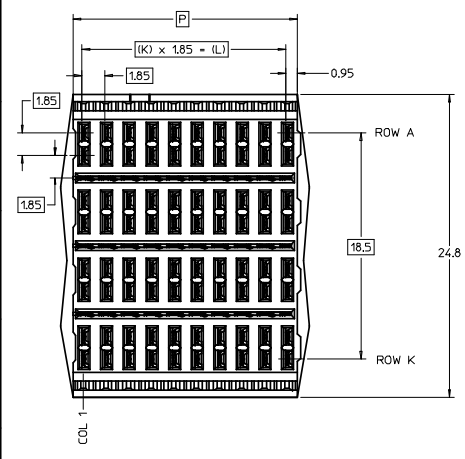
#### **Reference - Drawing Numbers**

Packaging Specification	PK-70873-563
Product Specification	PS-75221-999
Sales Drawing	SD-75838-010

GbX is a registered trademark of Amphenol Corporation.

This document was generated on 06/07/2010

**PLEASE CHECK [WWW.MOLEX.COM](http://WWW.MOLEX.COM) FOR LATEST PART INFORMATION**



75838-0\*0\*

MODULE ORIENTATION  
OPEN = 0

COLUMN  
1 = 10 COL  
2 = 25 COL  
5 = 5 COL  
7 = 7 COL

PIN LENGTH  
DIM "M"  
3=3.55 mm  
4=4.55 mm  
5=5.55 mm

KEYING ORIENTATION  
0 = OPEN

SHIFT CODE

TAIL LENGTH

SEE NOTE 7

**LEAD-FREE  
PLATING ON  
SIGNALS, & GROUNDS.**

- NOTES:
- MATERIAL: HOUSING - LIQUID CRYSTAL POLYMER (LCP) GLASS-FILLED, UL 94V-0. COLOR - GRAY. SIGNAL CONTACT AND GROUND BLADE - HIGH PERFORMANCE COPPER ALLOY.
  - FINISHES: SELECTIVE GOLD (Au) ON CONTACT AREA. SELECTIVE MATTE TIN (Sn) ON PCB TAILS, NICKEL (Ni) OVERALL.
  - THIS PART CONFORMS TO MOLEX PRODUCT SPECIFICATION PS-75221-999.
  - FOR MIXED CONTACT MATING LENGTHS CONSULT MOLEX FOR AVAILABILITY. CONTACT PAIRS MUST BE THE SAME LENGTH.
  - FOR SPECIFIC PART NUMBER AND MATING INFORMATION PLEASE REFER TO CHART.
  - PACKAGE PER PK-70873-563.
  - EITHER MARK PART NUMBER AND DATE CODE APPROXIMATELY WHERE SHOWN OR PLACE A LABEL ON THE TUBE.
  - THESE PARTS CONFORM TO MOLEX COSMETIC SPECIFICATION PS-45499-002 CLASS B.

PART NUMBER TABLE				
ASSY PART NO.	K	L	P	TOTAL NO. OF DIFFERENTIAL PAIRS
75838-010*	9	16.65	18.35	40
75838-020*	24	44.40	46.10	100
75838-050*	4	7.40	9.10	20
75838-070*	6	11.10	12.80	28

ADD 5 & 7 COLUMN PARTS EC NO: UCP2008-2605 DRWN: JBINGHAM 2008/04/24 CHKD: 2008/04/23 APPR: LAURX 2008/04/28	QUALITY SYMBOLS 0 0	GENERAL TOLERANCES (UNLESS SPECIFIED) 4 PLACES ± --- ± --- 3 PLACES ± --- ± --- 2 PLACES ± --- ± --- 1 PLACE ± --- ± --- ANGULAR ± ---°	SCALE 5:1 DESIGN UNITS METRIC DIMENSION STYLE MM ONLY	THIRD ANGLE PROJECTION REVISE ON CAD ONLY
		DRAFT WHERE APPLICABLE MUST REMAIN WITHIN DIMENSIONS	DRAWN BY DATE CTHOMAS 2006/01/03 CHECKED BY DATE KMLUVEY 2006/01/04	TITLE GBX 4-PAIR OPEN END BACKPLANE ASSEMBLY LEAD-FREE SALES DRAWING
		APPROVED BY DATE JBINGHAM 2006/01/05	MATERIAL NO. DOCUMENT NO. SEE CHART SD-75838-010	MOLEX MOLEX INCORPORATED SHEET NO. 1 OF 1
		THIS DRAWING CONTAINS INFORMATION THAT IS PROPRIETARY TO MOLEX INCORPORATED AND SHOULD NOT BE USED WITHOUT WRITTEN PERMISSION		