

PLEASE CHECK WWW.MOLEX.COM FOR LATEST PART INFORMATION

Part Number: [0474036202](#)
Status: **Active**
Overview: [esatausb_combo_receptacles](#)
Description: Combo External Serial ATA and USB Receptacles, Right Angle, Through Holewith SMT type Front Solder Tabs, Reverse Mount on Recessed PCB, Lead free

Documents:

[Drawing \(PDF\)](#) [RoHS Certificate of Compliance \(PDF\)](#)

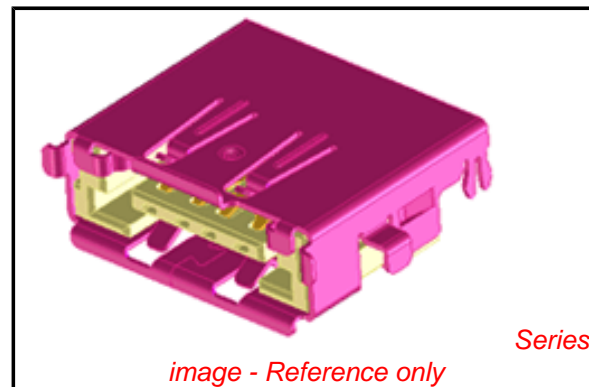
General

Product Family	I/O Connectors
Series	47403
Application	Wire-to-Board
Comments	SMT type front solder tabs . Reverse mounted on recessed PCB . Durability: 1,500 cycles for USB; 2,500 cycles for eSATA
Component Type	Receptacle
Overview	esatausb_combo_receptacles
Product Name	eSATA/USB Combo, External Serial ATA, USB
Type	N/A

Physical

Circuits (Loaded)	4, 7
Circuits Detail	eSATA: 7 circuits; USB: 4 circuits
Color - Resin	Black
Durability (mating cycles max)	1,500
Gender	Male
Keying to Mating Part	Yes
Lock to Mating Part	Yes
Material - Metal	Copper Alloy
Material - Plating Mating	Gold
Material - Plating Termination	Tin
Material - Resin	High Temperature Thermoplastic
Number of Rows	2
Orientation	Right Angle
PCB Locator	No
PCB Retention	Yes
PCB Thickness Recommended (in)	0.047 In
PCB Thickness Recommended (mm)	1.20 mm
Packaging Type	Embossed Tape on Reel
Panel Mount	Yes
Pitch - Mating Interface (in)	0.050 In, 0.079 In, 0.098 In
Pitch - Mating Interface (mm)	1.27 mm, 2.00 mm, 2.50 mm
Pitch - Term. Interface (in)	0.050 In, 0.079 In, 0.098 In
Pitch - Term. Interface (mm)	1.27 mm, 2.00 mm, 2.50 mm
Plating min: Mating (µin)	30
Plating min: Mating (µm)	0.76
Plating min: Termination (µin)	80
Plating min: Termination (µm)	2
Polarized to Mating Part	Yes
Polarized to PCB	Yes
Ports	1
Temperature Range - Operating	-35°C to +85°C
Termination Interface: Style	Through Hole

Electrical



EU RoHS

ELV and RoHS Compliant
REACH SVHC
 Not Reviewed
Halogen-Free Status
 Not Reviewed

China RoHS



Need more information on product environmental compliance?

Email productcompliance@molex.com
 For a multiple part number RoHS Certificate of Compliance, [click here](#)

Please visit the [Contact Us](#) section for any non-product compliance questions.

Search Parts in this Series

[47403Series](#)

Mates With

External Serial ATA Cable Assembly or USB Type A Cable Assembly

Current - Maximum per Contact	1.5A
Grounding to Panel	Yes
Shield Type	Full Shield
Shielded	Yes
Voltage - Maximum	15V DC

Solder Process Data

Duration at Max. Process Temperature (seconds)	20
Lead-free Process Capability	Reflow Capable (SMT only)
Max. Cycles at Max. Process Temperature	3
Process Temperature max. C	255

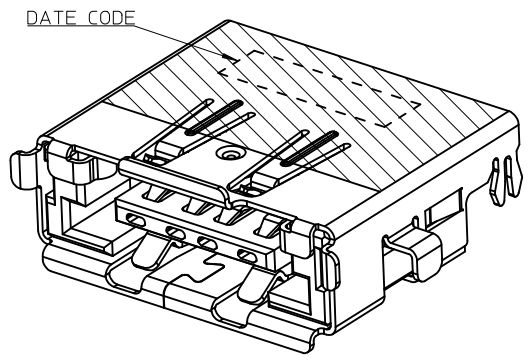
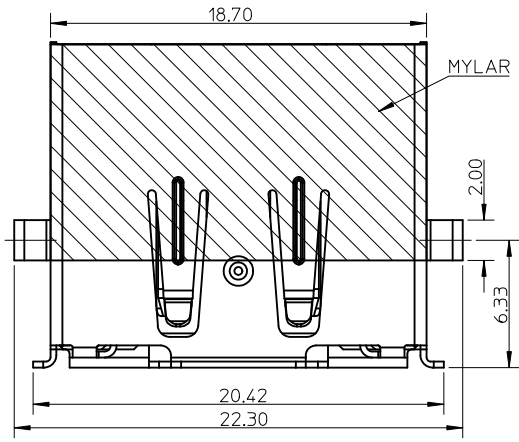
Material Info

Reference - Drawing Numbers

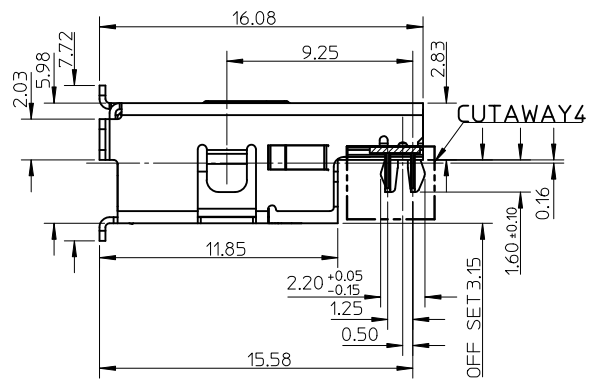
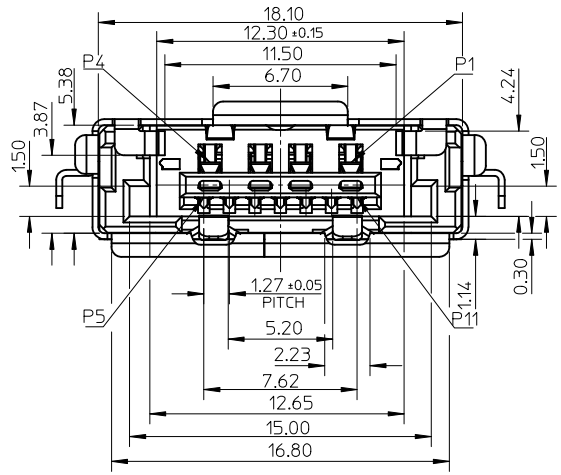
Sales Drawing	SD-47403-620
---------------	--------------

This document was generated on 05/26/2010

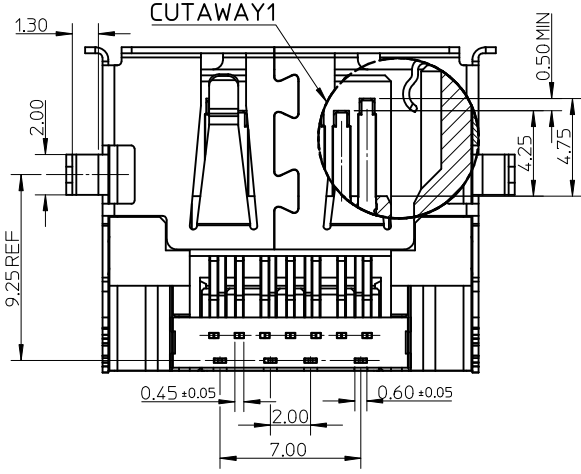
PLEASE CHECK WWW.MOLEX.COM FOR LATEST PART INFORMATION



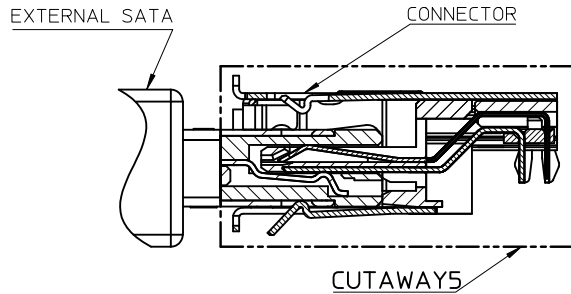
- NOTES:
1. MATERIAL: HIGH TEMPERATURE THERMOPLASTIC, 30% GLASS FILLED, BLACK, UL94V-0.
TERMINAL-1: COPPER ALLOY.
TERMINAL-2: COPPER ALLOY.
METAL SHELL: STAINLESS STEEL.
 2. TERMINAL PLATING:
CONTACT AREA: GOLD PLATING.
SOLDER AREA: TIN PLATING, 2.0 MICROMETERS MINIMUM.
UNDER PLATING: NIKEL PLATING, 2.0 MICROMETERS MINIMUM.
 3. METAL SHELL PLATING:
SOLDERABLE NIKEL PLATING 0.76 MICRONS MINIMUM.
 4. PRODUCT SPECIFICATION: PS-47403-001.
 5. PACKAGE SPECIFICATION: PK-47403-016.
 6. PRODUCT COMPLIANT TO RoSH DIRECTIVE 2002/95/EC AND ELV2000/53/EC.



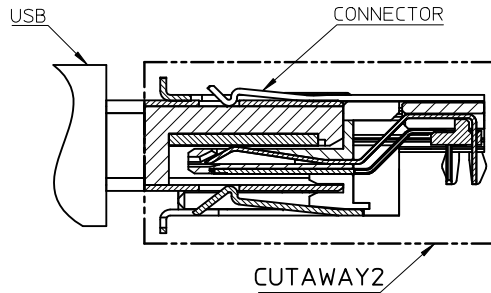
P/N	GOLD PLATING SPEC
47403-6200	GOLD FLASH
47403-6201	15u" MINIMUM
47403-6202	30u" MINIMUM



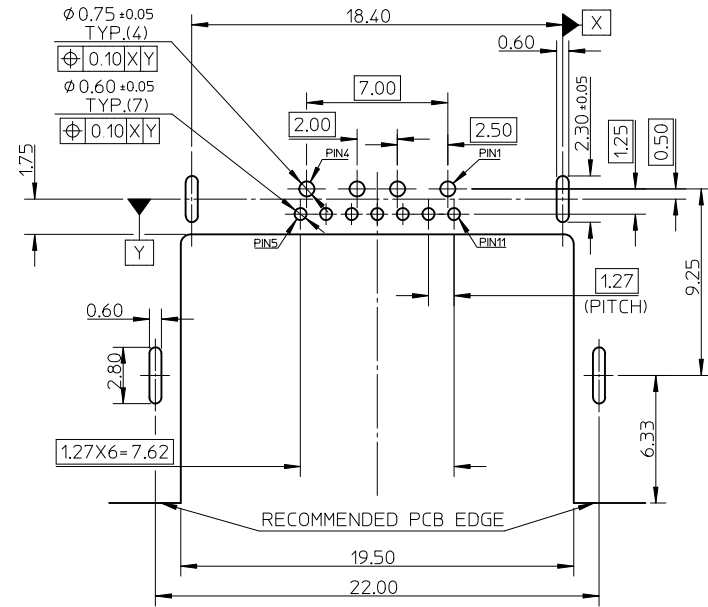
<p>NEW RELEASE EC NO: SH2010-0379 DRWING: LLI CHKD: STARY SONG APPR: RZHIANG</p>	<p>2010/04/02 2009/05/14 2010/04/21</p>	<p>QUALITY SYMBOLS F_A=0 F_C=0 F_P=0</p>	<p>GENERAL TOLERANCES (UNLESS SPECIFIED)</p>		<p>DIMENSION STYLE MM ONLY</p>	<p>SCALE 4:1</p>	<p>DESIGN UNITS METRIC</p>	<p>THIRD ANGLE PROJECTION</p>																
			<table border="1"> <thead> <tr> <th></th> <th>mm</th> <th>INCH</th> </tr> </thead> <tbody> <tr> <td>4 PLACES</td> <td>± ---</td> <td>± ---</td> </tr> <tr> <td>3 PLACES</td> <td>± ---</td> <td>± ---</td> </tr> <tr> <td>2 PLACES</td> <td>± 0.25</td> <td>± ---</td> </tr> <tr> <td>1 PLACE</td> <td>± 0.25</td> <td>± ---</td> </tr> </tbody> </table>		mm	INCH	4 PLACES	± ---	± ---	3 PLACES	± ---	± ---	2 PLACES	± 0.25	± ---	1 PLACE	± 0.25	± ---	<p>ANGULAR ± 3 °</p>	<p>DRAWN BY DIXON LI</p>	<p>DATE 2009/05/14</p>	<p>TITLE SALES DRAWING FOR COMBO OF EXTERNAL SATA AND USB REVERSE TYPE</p>		
				mm	INCH																			
			4 PLACES	± ---	± ---																			
3 PLACES	± ---	± ---																						
2 PLACES	± 0.25	± ---																						
1 PLACE	± 0.25	± ---																						
<p>DRAFT WHERE APPLICABLE MUST REMAIN WITHIN DIMENSIONS</p>		<p>MATERIAL NO. SEE TABLE</p>	<p>APPROVED BY RZHANG</p>	<p>DATE 2010/04/14</p>	<p>MOLEX INCORPORATED</p>																			
<p>REV A</p>		<p>SIZE A3</p>	<p>THIS DRAWING CONTAINS INFORMATION THAT IS PROPRIETARY TO MOLEX INCORPORATED AND SHOULD NOT BE USED WITHOUT WRITTEN PERMISSION</p>			<p>DOCUMENT NO. SD-47403-620</p>	<p>SHEET NO. 1 OF 2</p>																	



MATING WITH EXTERNAL SATA



MATING WITH USB



RECOMMENDED PCB LAYOUT T=1.2MM
CONNECTOR SIDE, TOLERANCE: ± 0.05

PIN ASSIGNMENT

USB		I/O SATA	
NAME	TYPE	NAME	TYPE
P1	VBUS	P5	GND
P2	D-	P6	A+
P3	D+	P7	A-
P4	GND	P8	GND
		P9	B-
		P10	B+
		P11	GND

NEW RELEASE	EC NO: SH2010-0379	2010/04/02
	DRW:GLL	2010/05/14
	CHKD:STARY SONG	2009/05/14
	APPR:RZHANG	2010/04/14
REV	DESCRIPTION	
A	NEW RELEASE	

QUALITY SYMBOLS	GENERAL TOLERANCES (UNLESS SPECIFIED)	
	mm	INCH
$\nabla=0$	4 PLACES	$\pm \text{---}$
$\square=0$	3 PLACES	$\pm \text{---}$
	2 PLACES	± 0.25
	1 PLACE	± 0.25
	ANGULAR $\pm 3^\circ$	
DRAFT WHERE APPLICABLE MUST REMAIN WITHIN DIMENSIONS		

DIMENSION STYLE	
MM ONLY	
DRAWN BY	DATE
DIXON LI	2009/05/14
CHECKED BY	DATE
STARY SONG	2009/05/14
APPROVED BY	DATE
RZHANG	2010/04/14
MATERIAL NO.	
SEE SHEET 1	
SIZE	
A3	

SCALE	DESIGN UNITS	THIRD ANGLE PROJECTION
4:1	METRIC	
TITLE		
SALES DRAWING FOR COMBO OF EXTERNAL SATA AND USB REVERSE TYPE		
molex MOLEX INCORPORATED		
MATERIAL NO.	DOCUMENT NO.	SHEET NO.
SEE SHEET 1	SD-47403-620	2 OF 2
THIS DRAWING CONTAINS INFORMATION THAT IS PROPRIETARY TO MOLEX INCORPORATED AND SHOULD NOT BE USED WITHOUT WRITTEN PERMISSION		