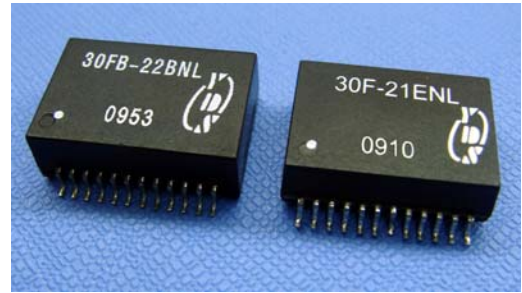




FEATURES

- Designed for long haul Gigabit Ethernet 10/100/1000 Base-T, full duplex applications
- Supports 4 pairs of category 5 UTP cable
- Cable interface for isolation and low common mode emissions
- Compliant with IEEE 802.3ab standard.
- Recognized By UL 60950-1



ELECTRICAL SPECIFICATIONS @25°C-Operating temperature 0°C TO 70°C

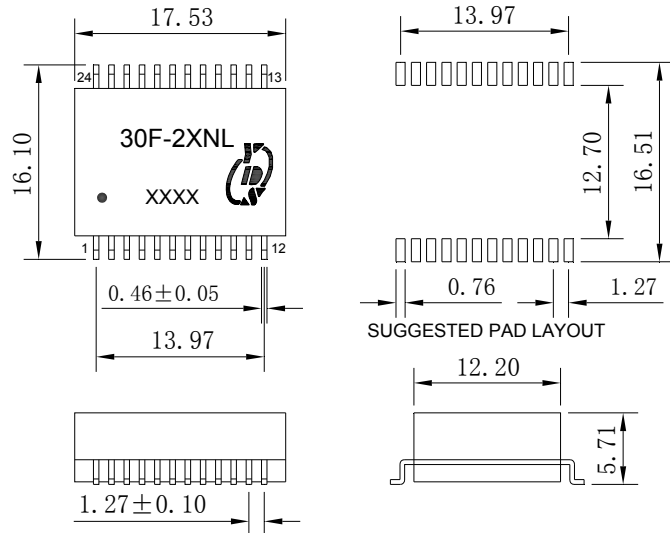
Part Number	Insertion Loss (dB max)	Return Loss (dB min @100 Ω)					Differential to Common Mode (dB min)			Crosstalk (dB TYP)			Hipot (V _{rms} min)
		1 - 100 MHz	1- 30 MHz	40 MHz	50 MHz	60-80 MHz	100 MHz	30 MHz	60 MHz	100 MHz	30 MHz	60 MHz	
30F(B)-21	-1.0	-18	-14.4	-13.1	-12	-10	-43	-37	-33	-45	-40	-35	1500
30F(B)-22	-1.0	-18	-14.4	-13.1	-12	-10	-43	-37	-33	-45	-40	-35	1500
30F(B)-25	-1.0	-16	-14.5	-14.5	-12	-10	-42	-37	-33	-40	-40	-35	1500
30F(B)-26	-1.0	-18	-14.4	-13.1	-12	-10	-42	-37	-33	-40	-40	-35	1500

Note: B=Bottom potting, e.g. 30FB-21NL,30FB-22NL

MARKINGS AND DIMENSION

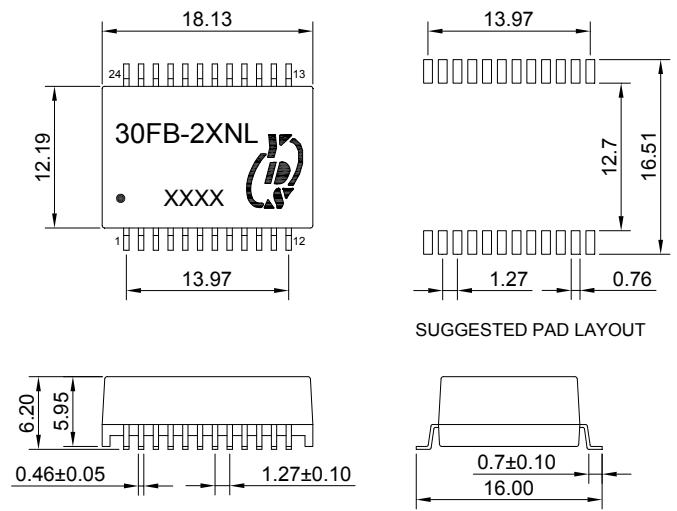


30F(Molding)



UNIT:mm Unless otherwise specified,all tolerances are ±0.25

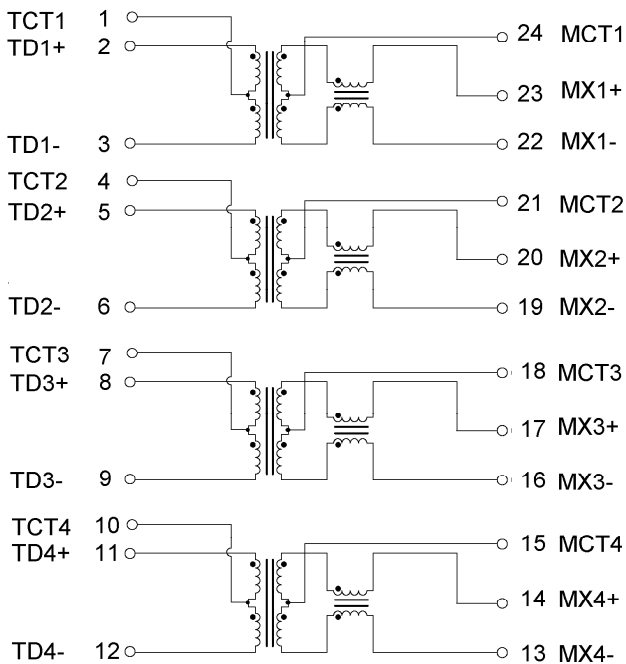
30FB(Bottom Potting)



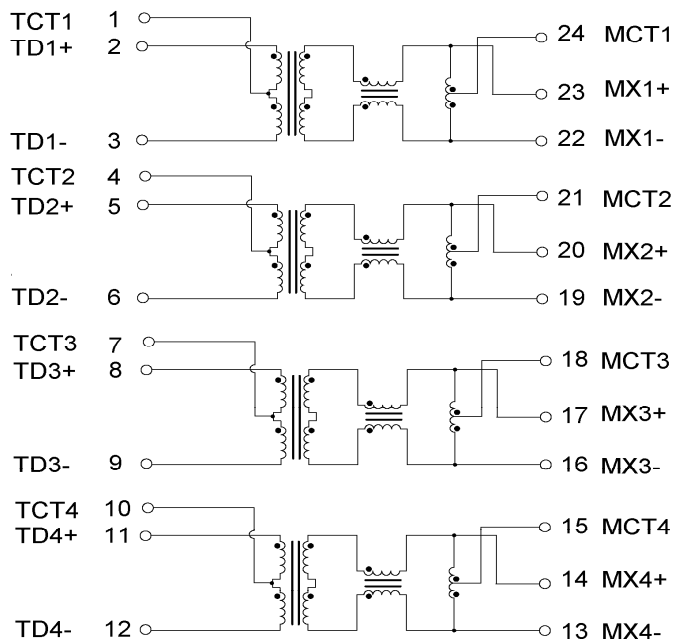
UNIT:mm Unless otherwise specified,all tolerances are ±0.25

SCHEMATIC

30F-21



30F-22





30F-25

30F-26

