

PLEASE CHECK WWW.MOLEX.COM FOR LATEST PART INFORMATION

Part Number: [0003122022](#)
Status: **Active**
Description: 3.18mm (.125") Diameter, HCS-125 Pin and Socket Plug Housing, 2 Circuits, Single Row, With and Without Panel Mount Ears

Documents:

[3D Model](#) [RoHS Certificate of Compliance \(PDF\)](#)
[Drawing \(PDF\)](#)

Agency Certification

CSA LR19980
 UL E29179

General

Product Family Crimp Housings
 Series 4306
 Product Name HCS-125

Physical

Circuits (maximum) 2
 Color - Resin Natural
 Flammability 94V-2
 Gender Dual
 Glow-Wire Compliant No
 Material - Resin Nylon
 Number of Rows 1
 Packaging Type Bag
 Panel Mount No
 Pitch - Mating Interface (in) 0.280 In
 Pitch - Mating Interface (mm) 7.11 mm
 Stackable No
 Temperature Range - Operating -40°C to +105°C

Electrical

Current - Maximum per Contact 20A

Material Info

Old Part Number 4306P1

Reference - Drawing Numbers

Sales Drawing SD-4306-*

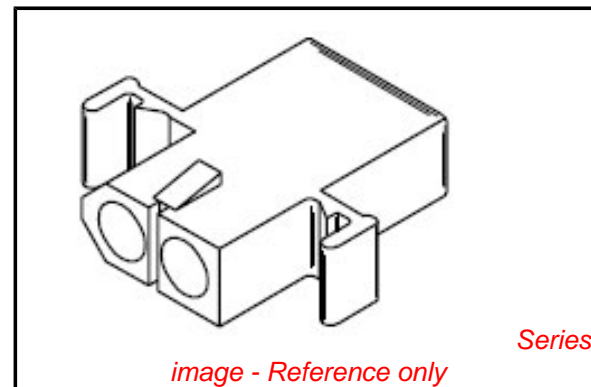


image - Reference only

EU RoHS

ELV and RoHS Compliant
REACH SVHC Contains SVHC: No
Halogen-Free Status
Not Reviewed

China RoHS



Need more information on product environmental compliance?

Email productcompliance@molex.com
 For a multiple part number RoHS Certificate of Compliance, [click here](#)

Please visit the [Contact Us](#) section for any non-product compliance questions.

Search Parts in this Series

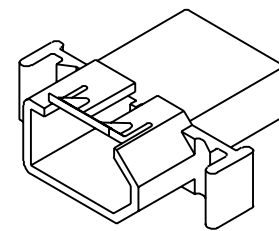
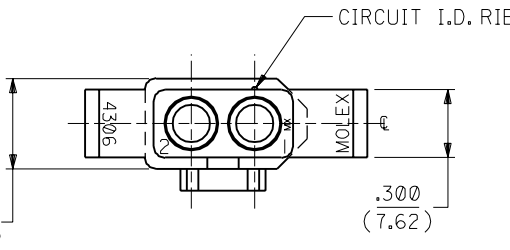
4306Series

Mates With

4306r

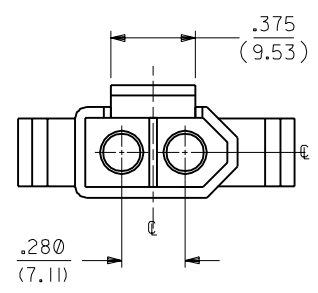
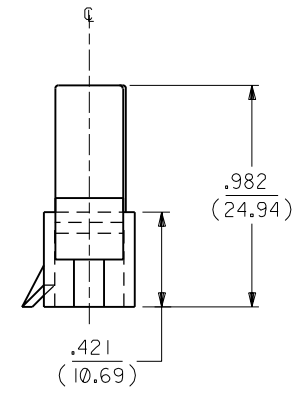
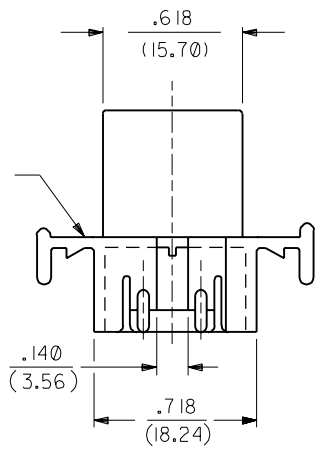
Use With

8947 , 1900 male crimp terminals, 1901 , 2046 , 2047 , 42546 , 42547 , 42554 , 42555 , 8946



4306-P PLUG HOUSING

MOUNTING EAR (2 PL.)
SEE DETAIL 1 OR 2
(WHEN SPECIFIED)



F	3	F	F	ADD CKT. I.D. RIB. PER ECR U3 1770 GC 12/9/93 RW
F	2	F	E	REDRAWN PER ECR 10/65 GEP 6/5/87 RW
F	1	F		
MFG.	SH.	REV.	LTR.	REVISIONS

DIMENSIONS SHOWN (METRIC) INCH		UNLESS OTHERWISE SPECIFIED TOLERANCES: ANGULAR ± 1/2°		$\nabla = 0$ $\blacktriangledown = 0$ REVISE ONLY ON CAD SYSTEM													
<table border="1"> <thead> <tr> <th></th> <th>INCH</th> <th>METRIC</th> </tr> </thead> <tbody> <tr> <td>3 PLACE</td> <td>± .010</td> <td>---</td> </tr> <tr> <td>2 PLACE</td> <td>± .014</td> <td>± 0.25</td> </tr> <tr> <td>1 PLACE</td> <td>---</td> <td>± 0.36</td> </tr> </tbody> </table>			INCH	METRIC	3 PLACE	± .010	---	2 PLACE	± .014	± 0.25	1 PLACE	---	± 0.36	TITLE HOUSING, 2 CIRCUIT PLUG AND RECEPTACLE .125/(3.18) DIA.			
	INCH	METRIC															
3 PLACE	± .010	---															
2 PLACE	± .014	± 0.25															
1 PLACE	---	± 0.36															
DRAFT WHERE APPLICABLE MUST REMAIN WITHIN DIMENSIONS		PART NO. SEE CHART		SHEET NO. DATE 1 of 3 6/5/87													
DRWG. BY GEP CHK'D. BY RW		DRWG. NO. SD-4306-*		FILE NAME SD4306X1.DGN													
APP'D. BY RAS SCALE 2 : 1		THIS DRAWING CONTAINS INFORMATION THAT IS PROPRIETARY TO MOLEX INC. AND SHOULD NOT BE USED WITHOUT WRITTEN PERMISSION.															
				DIV. CP	SIZE B												

