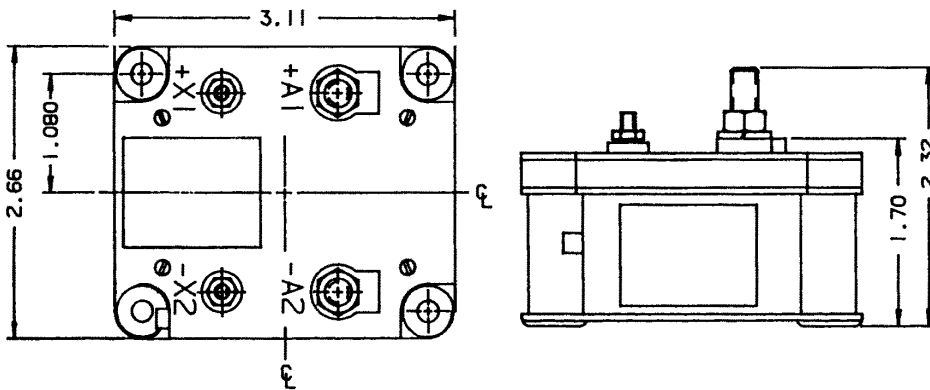


**AV-875 SPST N.O., 60 Amps,
270 VDC**

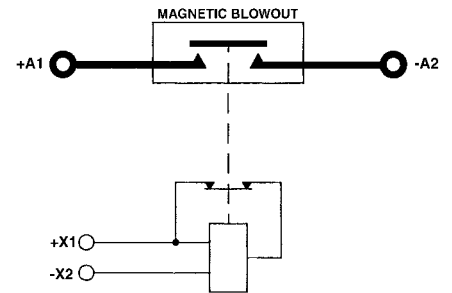
Features:

- SPST N.O. Main Contacts
- Magnetic Blowout
- Economizing Coil
- 270 VDC
- 60 Amps
- High Reliability
- Meets many requirements of MIL-R-6106
- Light Weight Construction



Dimensions for this product are expressed in inches.
Multiply values by 25.4 for millimeters.

CONTACTOR CONFIGURATION



Notes:

PRODUCT SPECIFICATIONS	
Construction	Gasket Sealed, Vented
Main Contacts:	
Configuration	SPST N.O.
Voltage (Nominal)	270 VDC
Current (Resistive)	60 Amps
Coil Data:	
Duty Cycle	Continuous (Economizing)
Voltage (Nominal)	28 VDC
Pick-Up Voltage	18 VDC Maximum
Drop-Out Voltage	1 - 10 VDC
Coil Current @ 28 VDC & +25°C	
In-Rush	3 Amps
Hold	.4 Amp
Operating Temperature	-55°C to +71°C, Continuous
Life:	
Electrical	50,000 Cycles
Mechanical	100,000 Cycles
Weight Maximum	.75 Lbs.

For factory-direct application assistance, contact the HARTMAN product team at (419) 521-9500, Fax (419) 526-2749.

© 2004 by Tyco Electronics Corporation. All Rights Reserved.
HARTMAN and TYCO are trademarks.