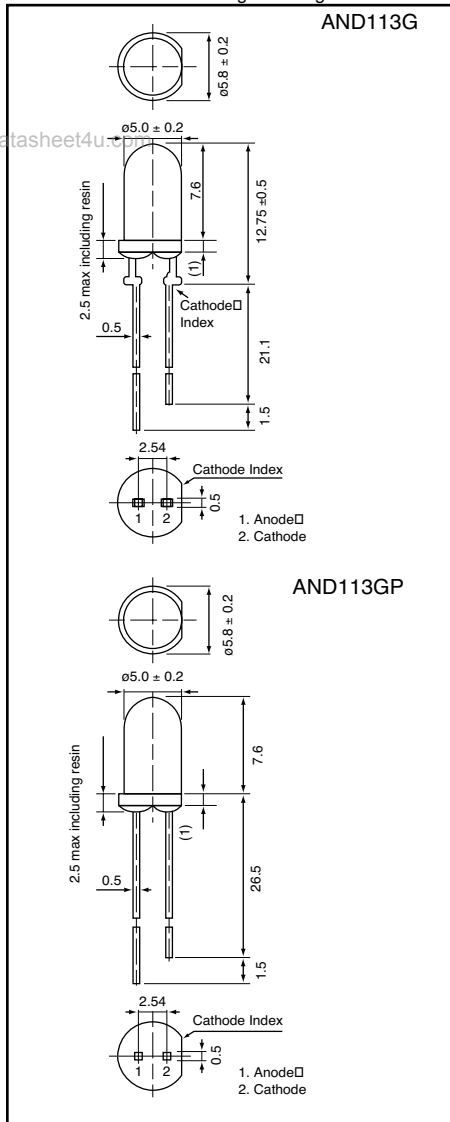




AND113G/GP Standard LED

Standard Bright LED LAMPS

Weight: 0.30 g Unit: mm



Product specifications contained herein may be changed without prior notice. It is therefore advisable to contact Purdy Electronics before proceeding with the design of equipment incorporating this product.

AND113G/GP

Standard LED

T-1 3/4 Package (5 mm)

Features

- Low power requirement
- Flush-mount
- All plastic molded lens
- Color: GaP-Green

• RoHS Compliant

Optical Characteristics (T_a = 25°C)

Color		Lens Desc.	Axial Luminous Intensity (mcd)		Test Condition (I _F -mA)	Viewing Angle 2θ1/2 (deg)
LED	Lens		Min.	Typ.		
Green	Green	Clear	20	50	10	30

Absolute Maximum Ratings (T_a = 25°C)

Characteristics	Symbol	Rating (Yellow)	Unit
Forward Current (DC)	I _F	25	mA
Reverse Voltage	V _R	5	V
Power Dissipation	P _D	105	mW
Operating Temperature	T _{Opr}	-40 to +85	°C
Storage Temperature Range	T _{Stg}	-40 to +85	°C

Electro-Optical Characteristics (T_a = 25°C)

Characteristics	Symbol	Test Condition	Yellow			Unit
			Min.	Typ.	Max.	
Forward Voltage	V _F	I _F = 20mA	-	2.1	2.5	V
Reverse Current	I _R	V _R = 5 V	-	-	10	μA
Peak Emission Wavelength	λ _p	I _F = 15mA	-	565	-	nm
Spectral Line Half Width	λ	I _F = 15mA	-	30	-	nm

Precaution

Please be careful of the following:

1. Soldering temperature: 260°C max; Soldering time: 5 sec. max; Soldering portion of lead: up to 1.6 mm from the body of the device.
2. The lead can be formed up to 5 mm from the body of the device without forming stress. Soldering should be performed after the lead forming.



AND113G/GP Standard LED

Standard Bright LED LAMPS

