

NMII-0232 TTL TO RS-232 CONVERTER

The NMII-0232 is a board in the 2x4"s™ board series. It is 2x2", with power supply features and RS-232 conversion.

FEATURES

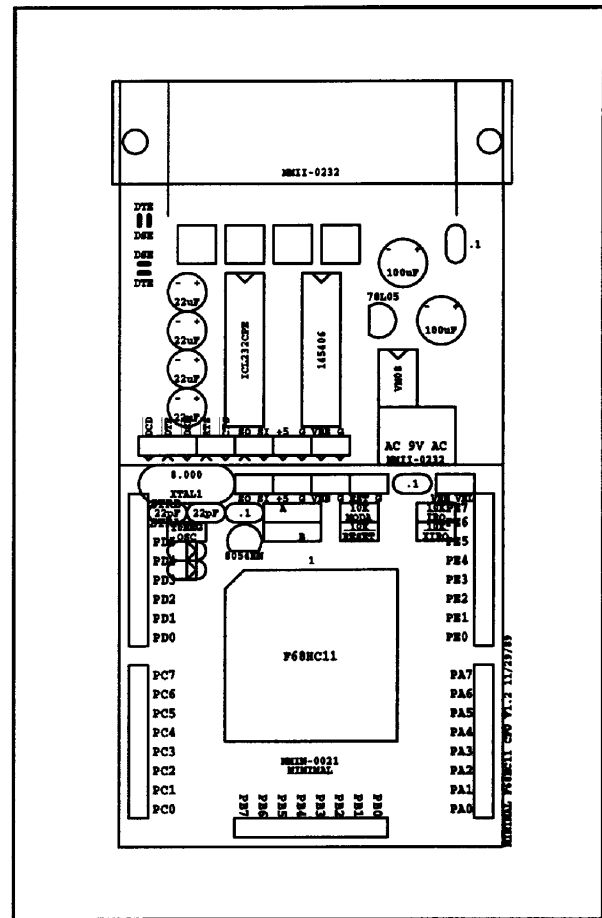
- RS-232 conversion of serial-in/serial-out
- DB25F Standard RS-232 connector
- Configurable as DTE or DSE
- Can accept external 5VDC @ 10mA, or external 9VAC and then source 5VDC @ 90mA
- Built in power supply
78L05 5VDC Voltage Regulator
VM08 Bridge Rectifier
- DC/DC conversion for +/-9VDC RS-232 levels

The NMII-0232 can interactively develop code, or accept downloaded program code, from a RS-232 based terminal, or personal computer running communication software. No additional circuitry is needed to "talk" to the systems with RS-232. A level shifter is provided to convert the TTL serial in and serial out to RS-232 levels.

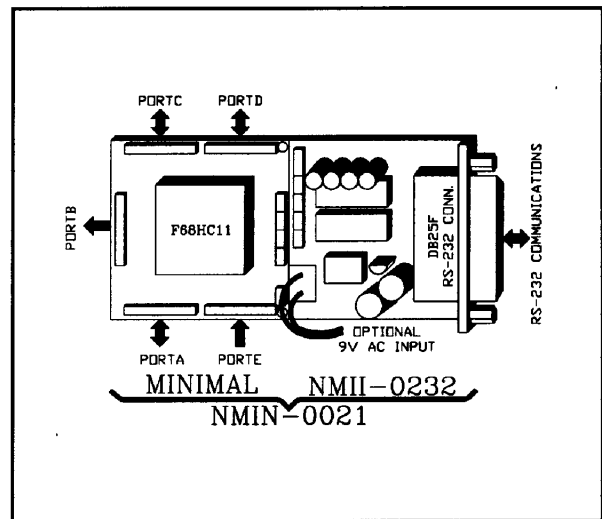
The NMII-0232 makes a very cost effective solution as an evaluation board for the F68HC11, or as a small target system, particularly when small size, RS-232 capability and on-board power supply features are required.

It is important to remember, the resources of the NMII-0232 are limited. The Terminal Input Buffer is limited to 16 character capability (A8 version). The internal RAM will hold two typical FORTH definitions. Applications of up to 512 bytes can be developed using the internal EEPROM for storage. (Applications which require external memory should use the NMIS-0021).

The NMII-0232 excels, however, in another kind of dedicated application - it can be used as an RS-232 peripheral. A remote host computer can interactively access all the features of the F68HC11. The NMII-0232 can execute the host's commands sent as ASCII encoded Max-FORTH™ instructions. The A/D can be read, the ports changed, and the SPI operated. Even the EEPROM can be read and written remotely. Mixing interactive commands and small programs can make even more complete utility of the F68HC11 features. Predefined functions can be moved into EEPROM and invoked at



NMII-0232



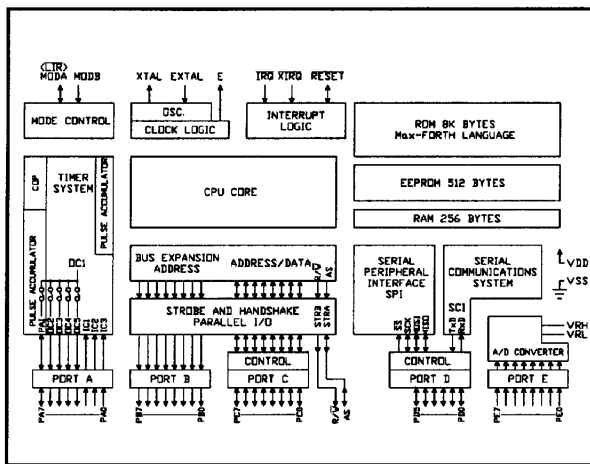
Application

NMII-0232 TTL TO RS-232 CONVERTER 2x2"s

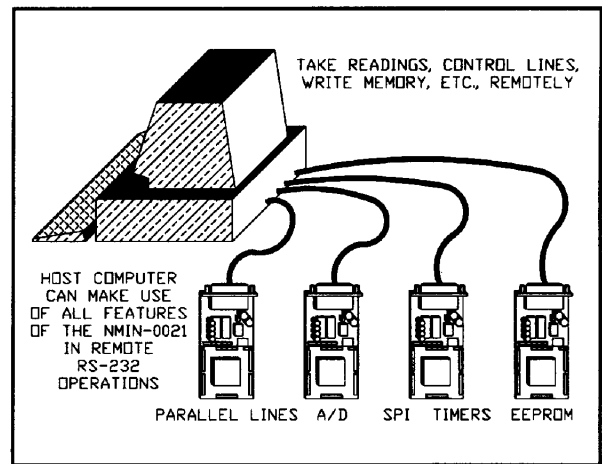
NMII-0232 TTL TO RS-232 CONVERTER 2x2"s

the discretion of the host system. The usefulness of the NMII-0232 in such service, can not be overstated.

NMII-0232



F68HC11 CPU Block Diagram

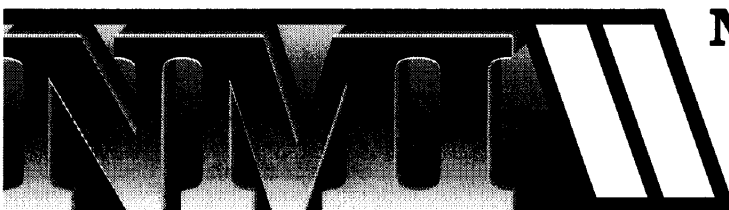


Remote RS-232 Operation

WORLD HEADQUARTERS

WORLDWIDE REPRESENTATIVES

AMERICA (N, C & S)	CENTRAL EUROPE	SOUTHERN EUROPE	SCANDINAVIA	ASIA
<p>NEW MICROS, INC. Sales Department 1601 Chalk Hill Road Dallas, TX 75212, USA Phone: (214) 339-2204 Fax: (214) 339-1585 G3, G2, FMG1 User Bulletin Board: (214) 339-2321 24/12, N, 8, 1</p>	<p>MS Microscan Electronic GmbH 31 Ueberseering P O Box 601705 D 2000 Hamburg 60 WEST GERMANY Phone: 0 40163 20 03-0 Fax: 0 40/63 20 03-49 Telex: 2 13 288</p>	<p>DEMEL G. Demel Handelsges, m.b.H. Hoffmeistergasse 8-10/1/4, A-1120 Vienna, AUSTRIA Phone: (0043) 0222 813 2507-0 Fax: (0043) 0222 85 95 93 Telex: 75311851</p>	<p>FIELD OY ELECTRONIHKARYHMA P O Box 131 SF 00601 Helsinki, FINLAND Phone: 358 0 757 1011 Fax: 358 079 8853 Telex: 12-2022 FIELD SF</p>	<p>CIBI TRADING INT'L 20 Matimtiman Street Teacher's Village, Diliman Quezon City, PHILIPPINES Phone: (632) 922-2988 Fax: (632) 921-8027</p>



NEW MICROS, INC.
1601 Chalk Hill Road
Dallas, Texas 75212
Tel: (214)-339-2204