

**PLEASE CHECK WWW.MOLEX.COM FOR LATEST PART INFORMATION**

**Part Number:** [0877822002](#)  
**Status:** **Active**  
**Description:** 0.60mm (.024") Pitch miniDIMM Socket, Surface Mount, Vertical, 2.5V Voltage Key, 244 Circuits, 0.76µm (30µ") Gold (Au) Plating, Off-White Latches, without Pick-and-Place Cap, Lead-free

**Documents:**

[3D Model](#) [Product Specification PS-87782-027 \(PDF\)](#)  
[Drawing \(PDF\)](#) [RoHS Certificate of Compliance \(PDF\)](#)

**General**

Product Family	Memory Module Sockets
Series	<a href="#">87782</a>
Comments	<LI>Latches in Off-White Color
Component Type	Socket
JEDEC Outline	MO-244
Product Name	MiniDIMM

**Physical**

Circuits (Loaded)	244
Color - Resin	Black
Durability (mating cycles max)	25
Entry Angle	Vertical (Top Entry)
Keying to Mating Part	Yes
Material - Metal	Copper Alloy
Material - Plating Mating	Gold
Material - Plating Termination	Tin
Material - Resin	High Temperature Thermoplastic
PCB Locator	Yes
PCB Retention	Yes
Packaging Type	Tray
Pitch - Mating Interface (in)	0.024 In
Pitch - Mating Interface (mm)	0.60 mm
Pitch - Term. Interface (in)	0.024 In
Pitch - Term. Interface (mm)	0.60 mm
Plating min: Mating (µin)	30
Plating min: Mating (µm)	0.76
Plating min: Termination (µin)	100
Plating min: Termination (µm)	2.54
Temperature Range - Operating	-55°C to +85°C
Termination Interface: Style	Surface Mount

**Electrical**

Current - Maximum per Contact	1A
Voltage - Maximum	30V (RMS)
Voltage Key	2.5V

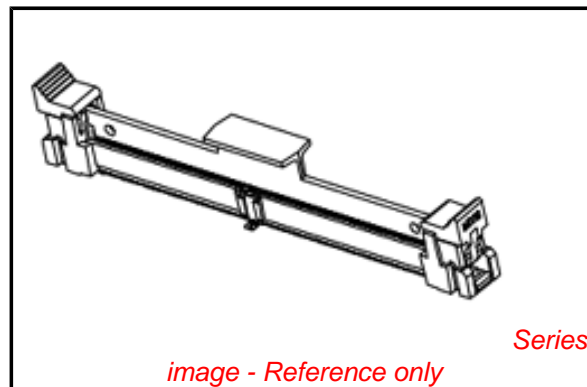
**Solder Process Data**

Duration at Max. Process Temperature (seconds)	5
Lead-free Process Capability	SMC & Wave Capable (TH only)
Max. Cycles at Max. Process Temperature	2
Process Temperature max. C	260

**Material Info**

**Reference - Drawing Numbers**

Product Specification	PS-87782-027
-----------------------	--------------



**EU RoHS**

**ELV and RoHS Compliant**  
**REACH SVHC**  
 Not Reviewed  
**Halogen-Free Status**  
 Not Reviewed

**China RoHS**



**Need more information on product environmental compliance?**

Email [productcompliance@molex.com](mailto:productcompliance@molex.com)  
 For a multiple part number RoHS Certificate of Compliance, [click here](#)

Please visit the [Contact Us](#) section for any non-product compliance questions.

**Search Parts in this Series**

[87782Series](#)

**Mates With**

JEDEC MO-244 Modules

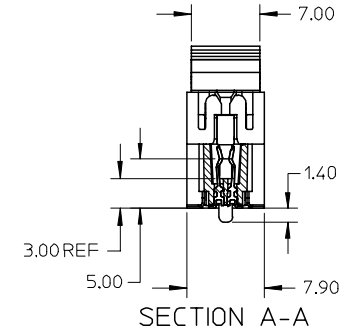
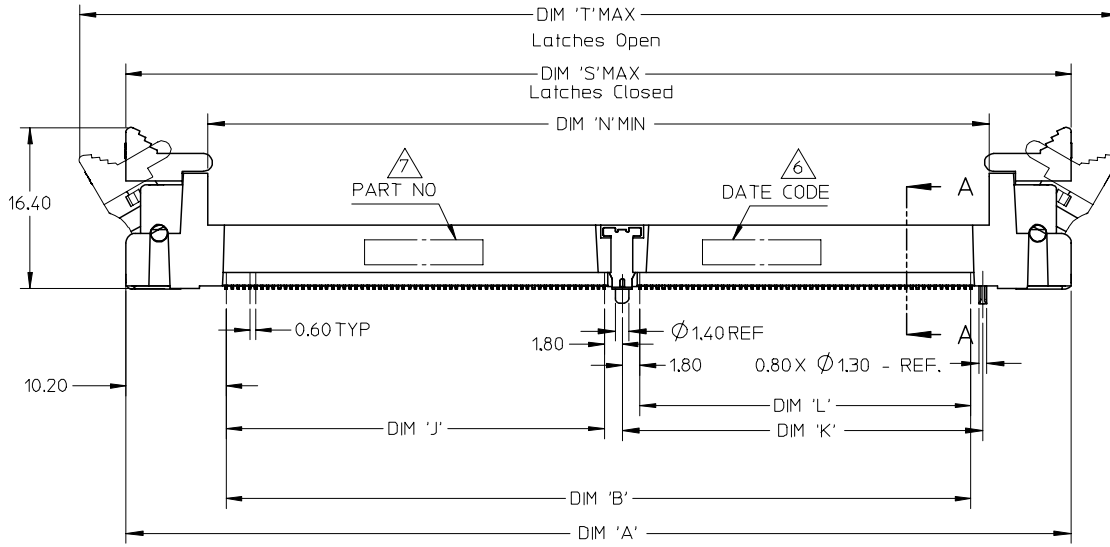
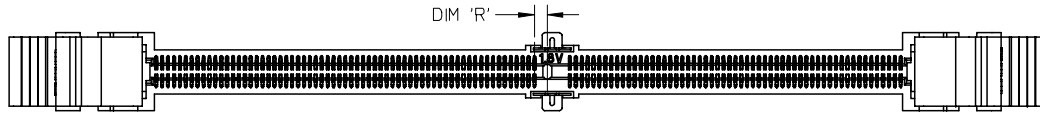
This document was generated on 04/09/2010

**PLEASE CHECK [WWW.MOLEX.COM](http://WWW.MOLEX.COM) FOR LATEST PART INFORMATION**

10 9 8 7 6 5 4 3 2 1

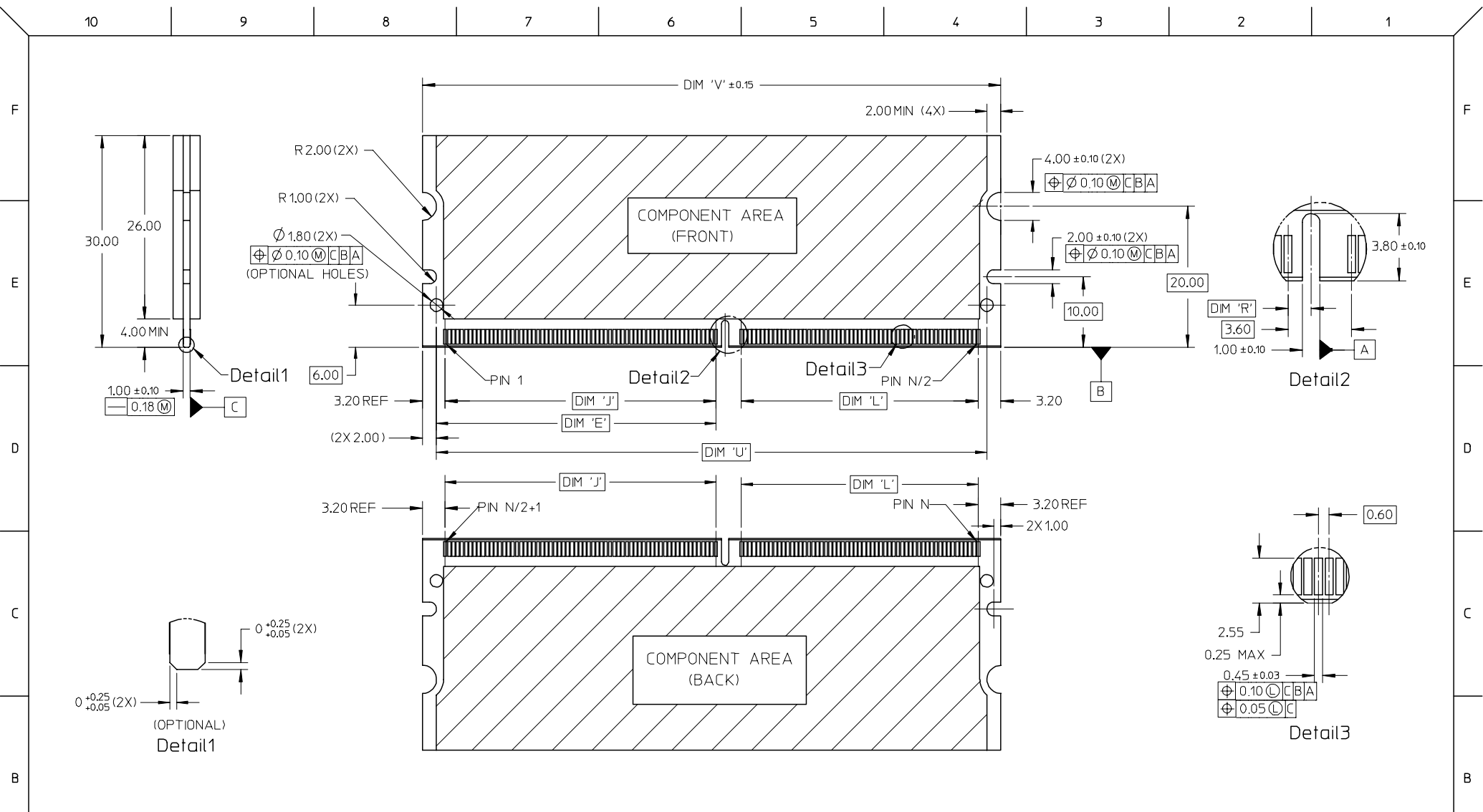
NOTES :  
 1. MATERIAL :  
 HOUSING : LIQUID CRYSTAL POLYMER, GLASS FILLED,  
 UL 94V-0, COLOUR : BLACK  
 CONTACTS : COPPER ALLOY  
 LATCHES : HIGH TEMPERATURE NYLON, UL 94V-0  
 COLOUR : NATURAL (OFF-WHITE)

2. FINISH  
 CONTACT AREA : 0.76 MICROMETER (30 MICROINCH) MIN GOLD OVER  
 1.25 MICROMETER (50 MICROINCH) MIN NICKEL  
 SMT TAIL : 2.54 MICROMETER (100 MICROINCH) MIN TIN OVER  
 1.25 MICROMETER (50 MICROINCH) MIN NICKEL.  
 3. ACCEPTS 1.0 mm THICK MEMORY MODULE PER JEDEC MO-244  
 FOR 244 CKTS AND MO-258 FOR 200 CKTS.  
 4. PRODUCT SPECIFICATION : PS-87782-027  
 5. PRODUCT SHALL BE PACKED IN TRAY. PLS REFER TO SHEET 5  
 6. DATE CODE SHALL BE MARKED LEGIBLY AS SHOWN : YYDD  
 7. PART NUMBER SHALL BE MARKED LEGIBLY AS SHOWN.  
 87782-XXXX (REFER TO TABLE)

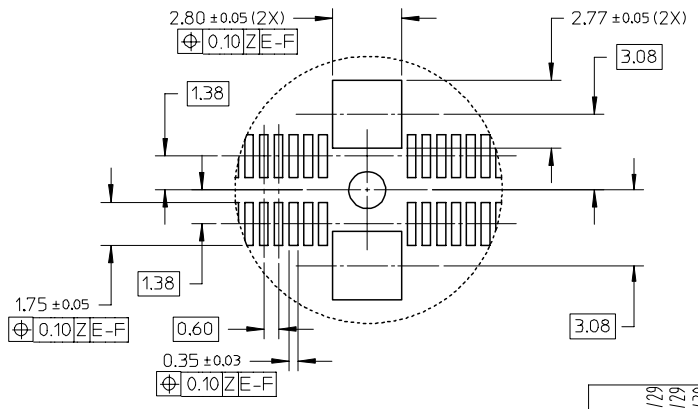
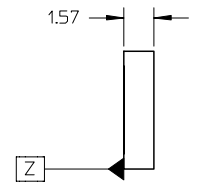
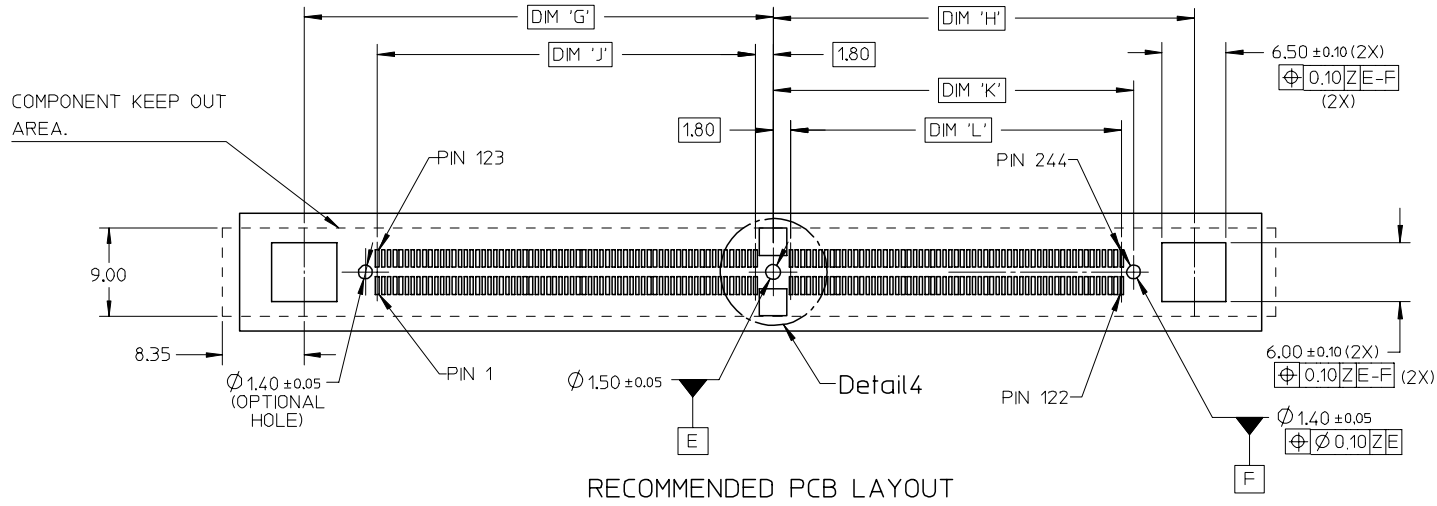


REVISE DESIGN EC NO: S2008-0403 DRWN: TYANG01 CHKD: CGTAN APPR: SILENI	2007/11/29 2007/11/29 2007/11/30	DESCRIPTION REV	QUALITY SYMBOLS	GENERAL TOLERANCES (UNLESS SPECIFIED)	DIMENSION STYLE	SCALE	DESIGN UNITS	THIRD ANGLE PROJECTION			
			▼=0 ▽=0	mm    INCH 4 PLACES ± --- ± --- 3 PLACES ± --- ± --- 2 PLACES ± 0.13 ± --- 1 PLACE ± 0.25 ± --- ANGULAR ± 1 °	MM ONLY	NTS	METRIC	DRAWN BY DATE TITLE			
								MLONG 2003/01/07 CHECKED BY DATE PTL IM 2003/07/16 APPROVED BY DATE SKTOH 2003/07/17			
								MATERIAL NO. SKTOH 2003/07/17 DOCUMENT NO. MOLEX INCORPORATED SD-87782-001			
DRAFT WHERE APPLICABLE MUST REMAIN WITHIN DIMENSIONS					SIZE	SHEET NO.					
					A3	1 OF 5					
					THIS DRAWING CONTAINS INFORMATION THAT IS PROPRIETARY TO MOLEX INCORPORATED AND SHOULD NOT BE USED WITHOUT WRITTEN PERMISSION						

9 8 7 6 5 4 3 2 1



<b>REVISE DESIGN</b> EC NO: S2008-0403 DRWN: TYANG01 2007/11/29 CHKD: CGTAN 2007/11/29 APPR: SILENI 2007/11/30	<b>QUALITY SYMBOLS</b> ▽=0 ▽=0	<b>GENERAL TOLERANCES (UNLESS SPECIFIED)</b> <table border="1"> <thead> <tr> <th></th> <th>mm</th> <th>INCH</th> </tr> </thead> <tbody> <tr> <td>4 PLACES</td> <td>± ---</td> <td>± ---</td> </tr> <tr> <td>3 PLACES</td> <td>± ---</td> <td>± ---</td> </tr> <tr> <td>2 PLACES</td> <td>± 0.13</td> <td>± ---</td> </tr> <tr> <td>1 PLACE</td> <td>± 0.25</td> <td>± ---</td> </tr> </tbody> </table>		mm	INCH	4 PLACES	± ---	± ---	3 PLACES	± ---	± ---	2 PLACES	± 0.13	± ---	1 PLACE	± 0.25	± ---	<b>DIMENSION STYLE</b> MM ONLY	<b>SCALE</b> NTS	<b>DESIGN UNITS</b> METRIC	<b>THIRD ANGLE PROJECTION</b>
		mm	INCH																		
	4 PLACES	± ---	± ---																		
	3 PLACES	± ---	± ---																		
2 PLACES	± 0.13	± ---																			
1 PLACE	± 0.25	± ---																			
		DRAWN BY: MLONG CHECKED BY: PTL IM APPROVED BY: SKTOH DATE: 2003/01/07 DATE: 2003/07/16 DATE: 2003/07/17	<b>TITLE</b> MINI DIMM, 0.60MM PITCH 200/244 CKTS, VERTICAL	<b>MOLEX INCORPORATED</b>																	
		DRAFT WHERE APPLICABLE MUST REMAIN WITHIN DIMENSIONS	<b>SEE TABLE</b>	MATERIAL NO. SKTOH	DOCUMENT NO. SD-87782-001	SHEET NO. 2 OF 5															
			SIZE A3	THIS DRAWING CONTAINS INFORMATION THAT IS PROPRIETARY TO MOLEX INCORPORATED AND SHOULD NOT BE USED WITHOUT WRITTEN PERMISSION																	

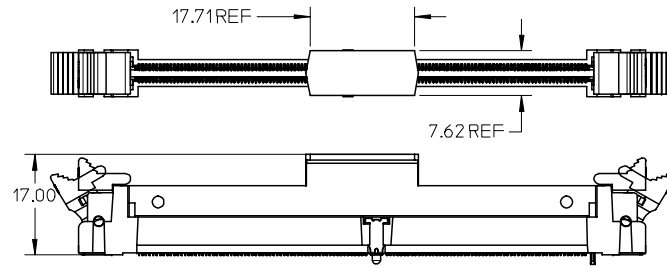


Detail 4

REVISE DESIGN EC NO: S2008-0403 DRWN: TYANG01 2007/11/29 CHKD: CGTAN 2007/11/29 APPR: SILENI 2007/11/30	QUALITY SYMBOLS ▽=0 ▽C=0	GENERAL TOLERANCES (UNLESS SPECIFIED)		DIMENSION STYLE MM ONLY		SCALE NTS	DESIGN UNITS METRIC	THIRD ANGLE PROJECTION	
		4 PLACES ± --- ± --- 3 PLACES ± --- ± --- 2 PLACES ± 0.13 ± --- 1 PLACE ± 0.25 ± ---	mm INCH	DRAWN BY MLONG	DATE 2003/01/07	TITLE MINI DIMM, 0.60MM PITCH 200/244 CKTS, VERTICAL			
		ANGULAR ± 1 °		CHECKED BY PTL IM	DATE 2003/07/16	MOLEX INCORPORATED			
		DRAFT WHERE APPLICABLE MUST REMAIN WITHIN DIMENSIONS		APPROVED BY SKTOH	DATE 2003/07/17	MATERIAL NO. SEE TABLE	DOCUMENT NO. SD-87782-001	SHEET NO. 3 OF 5	

10 9 8 7 6 5 4 3 2 1

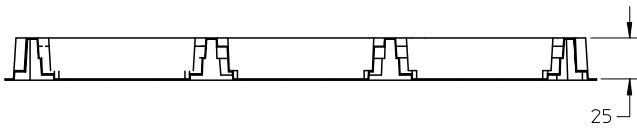
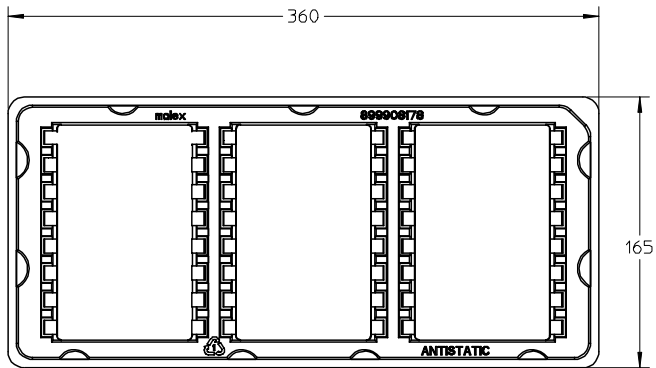
FOR OPTIONS WITH COVER



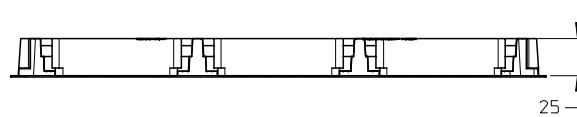
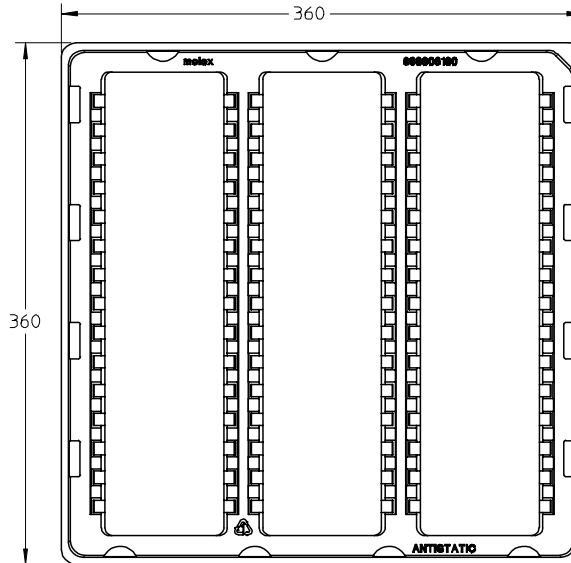
CKT SIZE 'N'	PART NUMBER	VOLTAGE KEY	DIM 'R'	DIM 'J'	DIM 'K'	DIM 'L'	DIM 'N'	DIM 'A'	DIM 'S'	DIM 'T'	DIM 'E'	DIM 'U'	DIM 'V'	DIM 'G'	DIM 'H'	DIM 'B'	COVER	TRAY
244	87782-2001	1.8 V	1.30	38.40	36.60	33.60	79.00	96.00	96.00	106.20	39.60	78.00	82.00	47.60	42.75	75.60	NIL	TYPE A
	87782-2002	2.5 V	2.30															
244	87782-2003	1.8 V	1.30	38.40	36.60	33.60	79.00	96.00	96.00	106.20	39.60	78.00	82.00	47.60	42.75	75.60	YES	TYPE B
	87782-2004	2.5 V	2.30															
244	87782-2005	1.8 V	1.30	38.40	36.60	33.60	79.00	96.00	96.00	106.20	39.60	78.00	82.00	47.60	42.75	75.60	YES	TYPE A
	87782-2006	2.5 V	2.30															
244	87782-2007	1.8 V	1.30	38.40	36.60	33.60	79.00	96.00	96.00	106.20	39.60	78.00	82.00	47.60	42.75	75.60	YES	TYPE C
	87782-2008	2.5 V	2.30															
244	87782-2009	1.8 V	1.30	38.40	36.60	33.60	79.00	96.00	96.00	106.20	39.60	78.00	82.00	47.60	42.75	75.60	YES	TYPE D
	87782-2010	2.5 V	2.30															
200	87782-2201	1.8 V	1.30	23.40	38.40	35.40	65.80	82.80	82.80	93.00	24.60	64.80	68.80	32.60	44.55	62.40	NIL	TYPE A
	87782-2202	2.5 V	2.30															
200	87782-2203	1.8 V	1.30	23.40	38.40	35.40	65.80	82.80	82.80	93.00	24.60	64.80	68.80	32.60	44.55	62.40	YES	TYPE A
	87782-2204	2.5 V	2.30															

<b>REVISE DESIGN</b> EC NO: S2008-0403 DRWN: TYANG01 2007/11/29 CHKD: CGTAN 2007/11/29 APPR: SHLENI 2007/11/30	QUALITY SYMBOLS ▽=0 ▽=0	GENERAL TOLERANCES (UNLESS SPECIFIED)		DIMENSION STYLE MM ONLY		SCALE NTS	DESIGN UNITS METRIC	THIRD ANGLE PROJECTION			
		4 PLACES ± --- ± --- 3 PLACES ± --- ± --- 2 PLACES ± 0.13 ± --- 1 PLACE ± 0.25 ± ---		INCH ± --- ± --- ± --- ± --- ± --- ± ---		DRAWN BY DATE MLONG 2003/01/07		TITLE MINI DIMM, 0.60MM PITCH 200/244 CKTS, VERTICAL			
		ANGULAR ± 1 °		APPROVED BY DATE PTL IM 2003/07/16		APPROVED BY DATE SKTOH 2003/07/17		MOLEX INCORPORATED			
		DRAFT WHERE APPLICABLE MUST REMAIN WITHIN DIMENSIONS		SEE TABLE		MATERIAL NO. DOCUMENT NO. SD-87782-001		SHEET NO. 4 OF 5			

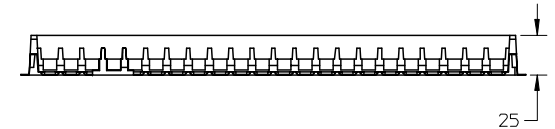
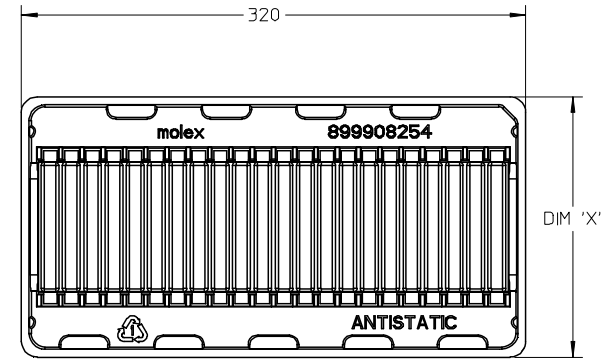
9 8 7 6 5 4 3 2 1



TRAY TYPE A  
QTY OF CAVITY: 3 X 8 = 24 PCS  
COLOUR: TRANSPARENT



TRAY TYPE B  
QTY OF CAVITY: 3 X 15 = 45 PCS  
COLOUR: TRANSPARENT



TRAY TYPE AND COLOUR - SEE TABLE  
QTY OF CAVITY: 1 X 22 = 22 PCS  
COLOUR - SEE TABLE

TRAY TYPE	DIM 'X'	TRAY COLOUR
C	165	TRANSPARENT
D	160	WHITE

REVISE DESIGN EC NO: S2008-0403 DRWN: TYANG01 CHKD: CGTAN APPR: SILENI	2007/11/29 2007/11/29 2007/11/30	DESCRIPTION REV	QUALITY SYMBOLS	GENERAL TOLERANCES (UNLESS SPECIFIED)	DIMENSION STYLE	SCALE	DESIGN UNITS	THIRD ANGLE PROJECTION																			
			$\nabla=0$ $\nabla C=0$	<table border="1"> <tr> <th></th> <th>mm</th> <th>INCH</th> </tr> <tr> <td>4 PLACES</td> <td>± ---</td> <td>± ---</td> </tr> <tr> <td>3 PLACES</td> <td>± ---</td> <td>± ---</td> </tr> <tr> <td>2 PLACES</td> <td>± 0.13</td> <td>± ---</td> </tr> <tr> <td>1 PLACE</td> <td>± 0.25</td> <td>± ---</td> </tr> <tr> <td colspan="3">ANGULAR ± 1 °</td> </tr> </table>		mm	INCH	4 PLACES	± ---	± ---	3 PLACES	± ---	± ---	2 PLACES	± 0.13	± ---	1 PLACE	± 0.25	± ---	ANGULAR ± 1 °			MM ONLY DRAWN BY DATE M LONG 2003/01/07 CHECKED BY DATE PTL IM 2003/07/16 APPROVED BY DATE SKT0H 2003/07/17	NTS METRIC	TITLE MINI DIMM, 0.60MM PITCH 200/244 CKTS, VERTICAL	MOLEX INCORPORATED	SHEET NO. 5 OF 5
				mm	INCH																						
			4 PLACES	± ---	± ---																						
3 PLACES	± ---	± ---																									
2 PLACES	± 0.13	± ---																									
1 PLACE	± 0.25	± ---																									
ANGULAR ± 1 °																											
DRAFT WHERE APPLICABLE MUST REMAIN WITHIN DIMENSIONS	SEE TABLE	DOCUMENT NO. SD-87782-001	MATERIAL NO.																								
SIZE A3	THIS DRAWING CONTAINS INFORMATION THAT IS PROPRIETARY TO MOLEX INCORPORATED AND SHOULD NOT BE USED WITHOUT WRITTEN PERMISSION																										