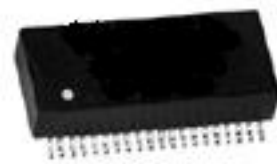


1:1 Transmit and Receive Turn Ratio  
For Use With Transceivers Requiring



Features :

www.datasheet4u.com

1) Compliant with IEEE802.3 and ANSI X3.263 standards including 350uH

OCL with 8 mA bias from 0°C to 70°C .

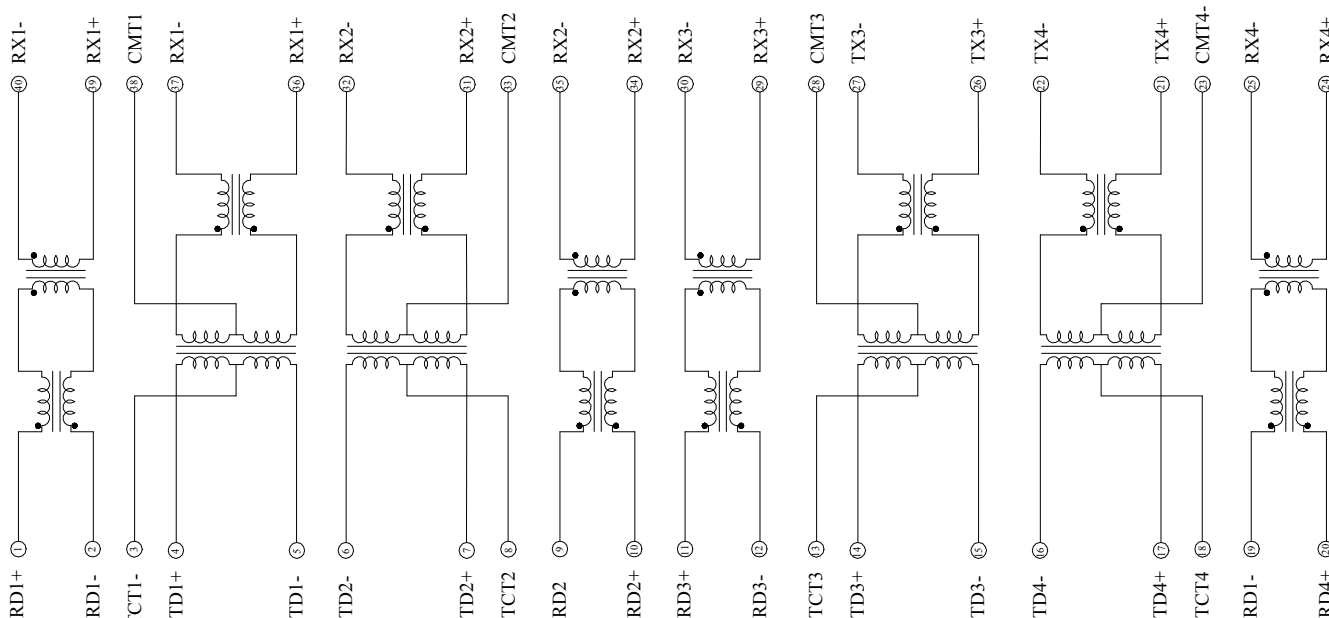
2) Model designed to support four single or double stacked RJ45 connectors .

3) Meet input/output breakdown (Hi-Pot) of 1500Vrms .

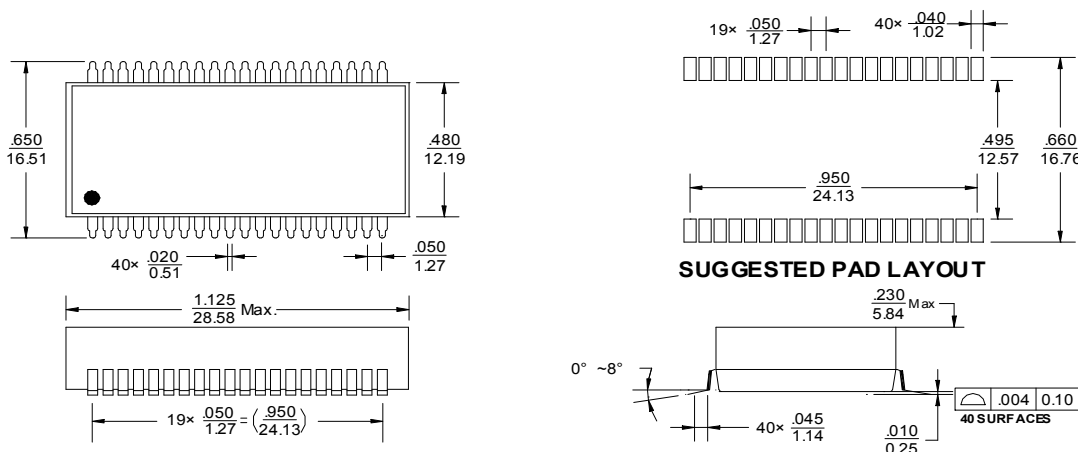
Electrical Specifications

Insertion Loss (dB TYP)	Return Loss (dB TYP)				Differential to Common Mode Rejection (dB TYP)		Crosstalk (dB TYP)				Common to Common Rejection Ratio		
	0.1~100MHz	2~30MHz	40MHz	50MHz	50~80MHz	1~60MHz	60~200MHz	1MHz	30MHz	60MHz	100MHz	0.1~60MHz ( dB TYP )	
0.5	-21	-17	-14.5	-12	-40	-30	-65	-50	-40	-30	-30	-30 (TX)	-30 (RX)

Schematics



Mechanical Dimensions ( Unit: inches/mm )



Unless otherwise specified , all tolerances are +/- .010 / 0.25